

ESCO

WORLD CLASS WORLDWIDE.



Anti Blowback Valve

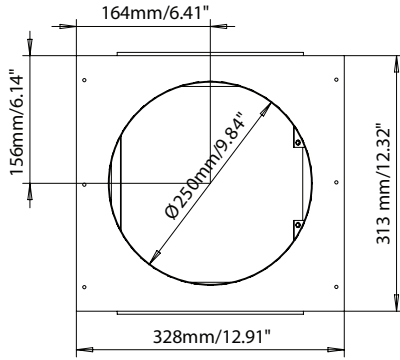


Specifications				
Model	ABBV-10P	ABBV-10S	ABBV-12P	ABBV-12S
Intake Diameter	Ø253mm/10"		Ø303mm/12"	
Exhaust Diameter	Ø250mm/10"		Ø300mm/12"	
Compatible Unit	AC2-xEx, AC2-xSx, AC2-xLx, AC3-xBx			
	ADC-xBx, CYT-xAx, FC2-xAx, FC2-xKx			
	HPI-xNx, JA2-xAx, LA2-xLHx, LA2-xNHx, LB2-xBx			
	LP2-xSx, LR2-xSx, SC2-xAx, RHL-xAx			
Materials				
Body	1.2mm EG	1.2 SS 304	1.2mm EG	1.2 SS 304
Flap	1mm AL			
Window	5mm Polycarbonate			
Max. Opening	84.4°			

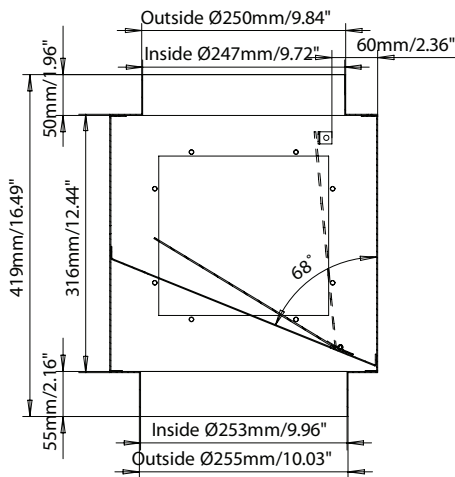
Extra Pressure Required by ABBV		
Cabinet	Pa	"WG
AC2-3	43	0.17
AC2-4	40	0.16
AC2-5	31	0.12
AC2-6	28	0.11
LA2-3	33	0.13
LA2-4	42	0.17
LA2-5	41	0.16
LA2-6	32	0.13
LB2-3	40	0.16
LB2-4	26	0.10
LB2-5	39	0.16
LB2-6	53	0.21
LR2-3	32	0.13
LR2-4	24	0.10
LR2-5	25	0.10
LR2-6	23	0.09

ABBV-10P and ABBV-10S

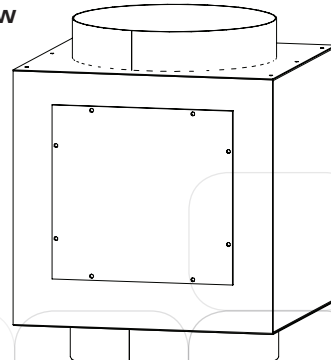
Top View



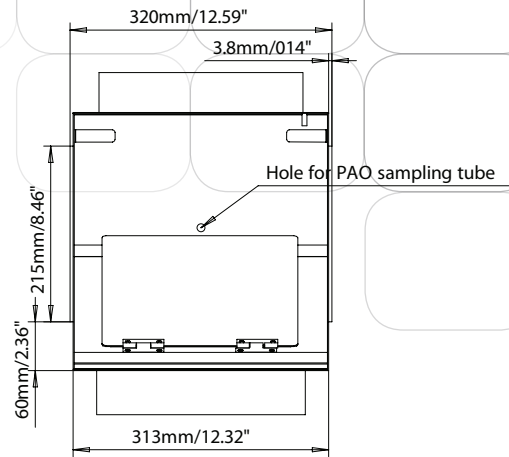
Front View



Isometric View

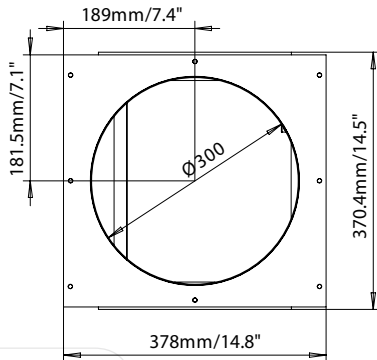


Right View

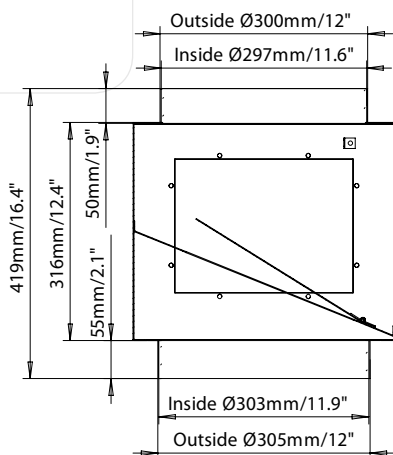


ABBV-12P and ABBV-12S

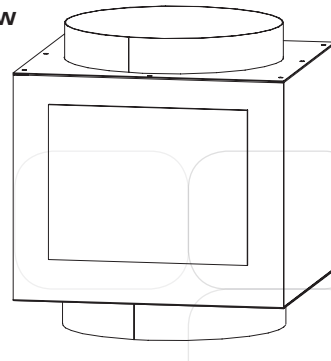
Top View



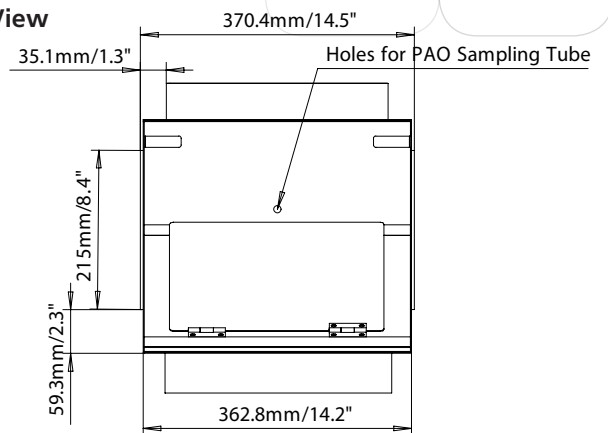
Front View



Isometric View



Right View



ESCO

escoglobal.com
LIVE SUPPORT

Esco Technologies, Inc. • 2940 Turnpike Drive, Units 15-16 • Hatboro, PA 19040, USA
Toll-Free USA and Canada 877-479-3726 • Tel 215-441-9661 • Fax 215-441-9660
us.escoglobal.com • usa@escoglobal.com

Esco Micro Pte. Ltd. • 21 Changi South Street 1 • Singapore 486 777
Tel +65 6542 0833 • Fax +65 6542 6920 • mail@escoglobal.com
www.escoglobal.com

Esco Global Offices | Beijing, China | Kuala Lumpur, Malaysia | Manama, Bahrain | Guangzhou, China |
Hanoi, Vietnam | Marietta, OH, USA | Melaka, Malaysia | Mumbai, India | Philadelphia, PA, USA |
Salisbury, UK | Shanghai, China | Seoul, Korea | Delhi, India | Singapore

