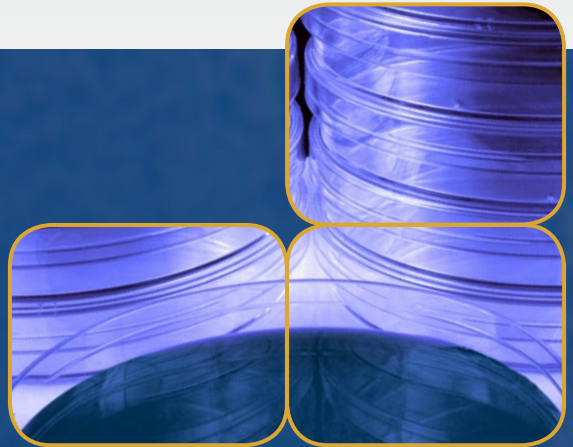


# Streamline®

**Class II Biological Safety Cabinets**  
The Industry's Best Value Class II Cabinets

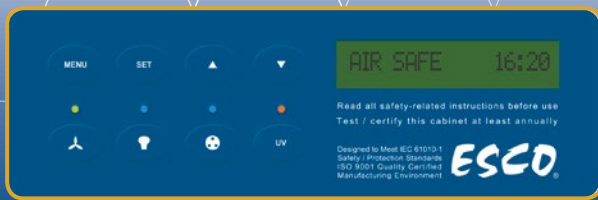


*Streamline® Class II, Biosafety Cabinet,  
Model: SC2-4S1*



**ESCO**

WORLD CLASS. WORLDWIDE.



## Sentinel™ Silver Microprocessor Controller

- Displays all safety information on one screen
- Centered and angled down for easy reach & viewing
- Selectable Quickstart mode for fast operation



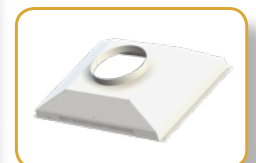
- High performance EBM-PAPST® permanently lubricated, centrifugal motor/fans with external rotor designs. Motors selected for energy efficiency, compact design and flat profile.
- H14 filtration system operate at a typical efficiency of >99.999% at 0.1 to 0.3 micron sizes
- Ergonomically angled front improves reach and comfort, reduces glare. Frameless, shatterproof sash is easier to clean, offers larger, unobstructed viewing area.
- ISOCIDE™ powder coat inhibit microbial growth to improve safety.
- Sentinel™ Silver Microprocessor control alarm system supervise operation of all cabinet functions. Monitor both exhaust and downflow.
- Robust cabinet construction with key components, including fluorescent lamps, control system are located away from contamination air to permit service without decontamination.
- Glass side to increase brightness with maximum visibility / Stainless Steel side walls available (S-Series).
- EscO Streamline® Class II has been certified by PHE / Public Health England (formerly HPA) for compliance to EN 12469.

## Accessories

Item Code		Model			
Cabinet	Glass Sides	SC2-4E1 2010655	SC2-4E3 2010892	SC2-6E1 2010900	SC2-6E3 2010904
	Stainless Steel Sides	SC2-4S1 2010930	SC2-4S3 2010898	SC2-6S1 2010906	SC2-6S3 2010910
Anti-blowback Valve 10"		ABBV-10P 5170352			
Thimble Exhaust Collar		ECO-AC2-4 Gen3 5170522	ECO-AC2-6 Gen3 5170524		
UV Lamp		UV-30A-L 5170255			
PVC Arm Rest Valve 10"		MEWREST 5170127			
Pre-Filter (On paper Catch)		PF-42 5090062	PF-44 5090064		
IV Bar		IV-1215 5170231	IV-1825 5170501		
Electrical Outlet (Universal)		EO-UNI 5170060			



ABBV-10P



ECO-AC2\_ Gen3



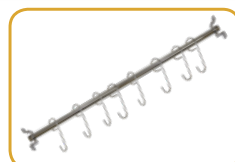
UV-30A-L



MEWREST



PF-



IV\_



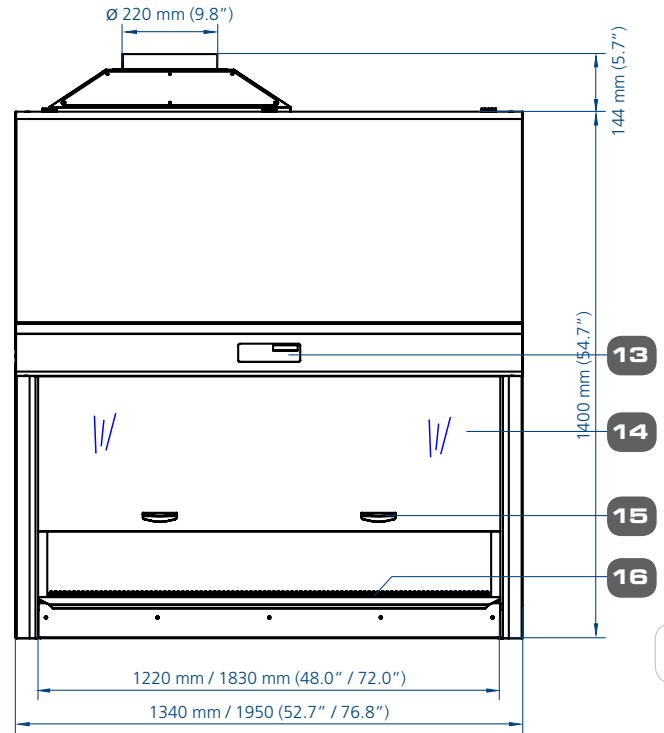
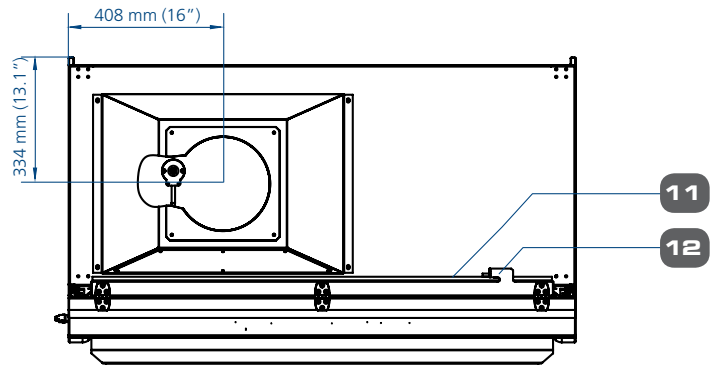
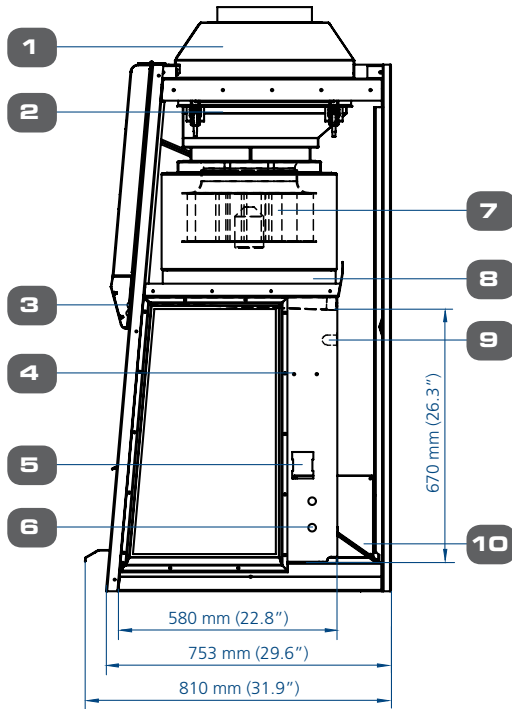
EO-UNI



SF-

# Streamline® Class II, Biological Safety Cabinet Engineering Drawing

- 1. Exhaust Collar (Optional)
- 2. Exhaust H14 Filter
- 3. Fluorescent Lamps
- 4. IV Bar Retrofit Kit Provision
- 5. Universal Electrical Outlet (one on each side)
- 6. Service Fixture Retrofit Kit Provision (two on each side)
- 7. EBM AC Blower
- 8. Downflow H14 Filter
- 9. UV Lamp (Optional)
- 10. Paper Catch (with optional pre-filter)
- 11. RS232 Port
- 12. Power Inlet (with safety cable hook)
- 13. Esco Sentinel™ Silver Microprocessor Control System
- 14. Tempered Glass Sliding Sash Window
- 15. Sash Handle
- 16. Stainless Steel Work Tray



3

EU SF-Gas-20 mm		SF-1G20	5170410
EU SF-Vacuum-20 mm		SF-1V20	5170457
EU SF-Air-20 mm		SF-1A20	5170503
EU SF-Nitrogen-20 mm		SF-1N20	5170503
EU SF-Water-20 mm		SF-1W20	5170258
EU SF-Universal-22 mm		SF-2U22	5170504
Ergonomic Foot Rest		FT-REST	5170073
Fixed Stand with Caster Wheels 28" Height	SPC-4A0 Gen2	5130152	SPC-6A0 Gen2 5130154
Fixed Stand with Caster Wheels 34" Height	SPC-4B0 Gen2	5130166	SPC-6B0 Gen2 5130168
Fixed Stand with Leveling Feet 28" Height	SAL-4A0 Gen2	5130134	SAL-6A0 Gen2 5130172
Fixed Stand with Leveling Feet 34" Height	SAL-4B0 Gen2	5130175	SAL-6B0 Gen2 5130177
IQ OQ Protocol	9010179		



SF-2U22



FT-REST



SPC-\_A0



SAL-\_A0



IQ OQ

## TECHNICAL SPECIFICATIONS

Model	SC2-4E1 2010655		SC2-4E3 2010892		SC2-6E1 2010900		SC2-6E3 2010904		
	SC2-4S1 2010930		SC2-4S3 2010898		SC2-6S1 2010906		SC2-6S3 2010910		
<b>External Dimension (W x D x H)</b>		1340 x 810 x 1400 mm (52.8" x 31.9" x 55.1")				1950 x 810 x 1400 mm (76.8" x 31.9" x 55.1")			
<b>Gross Internal Dimension (W x D x H)</b>		1220 x 580 x 670 mm (48.0" x 22.8" x 26.4")				1830 x 580 x 670 mm (72.0" x 22.8" x 26.4")			
<b>Airflow Velocity</b>	Inflow	0.45 m/s (89 fpm)				0.45 m/s (89 fpm)			
	Downflow	0.30 m/s (60 fpm)				0.30 m/s (60 fpm)			
<b>Airflow Volume</b>	Inflow	346 cmh (204 cfm)				519 cmh (305 cfm)			
	Downflow	764 cmh (449 cfm)				1146 cmh (675 cfm)			
	Exhaust	346 cmh (204 cfm)				519 cmh (305 cfm)			
<b>Filter Efficiency (%)</b>		>99.999% at 0.1 to 0.3 micron, ULPA as per IEST-RP-CC001.3 USA >99.999% at MPPS, H14 as per EN 1822 EU							
<b>Sound Emission (IEST-RP-CC002.2)*</b>		NSF: 60 dBA / EN: 57 dBA				NSF: 62 dBA / EN: 59 dBA			
<b>Fluorescent Lamp Intensity</b>		1118 lux (104 foot-candles)				1044 lux (97 foot-candles)			
<b>Cabinet Construction</b>	Main Body	1.2 mm (0.05") / 18 gauge EG Steel with ISOCIDE™ Oven-Baked Epoxy-Polyester Powder Coating							
	Workzone	E-series: Multi-piece work tray, 1.5 mm (0.06") / 16 gauge, SS304, with glass side wall							
		S-series: Single-piece work tray, 1.5 mm (0.06") / 16 gauge, SS304, with stainless steel side wall							
<b>Electrical</b>	Maximum Power / Current Consumption	360 W / 2 A				650 W / 3.5 A			
	Nominal Power Consumption	308 W				606 W			
	Outlet Amp Fuse	5 A							
	Full Load Amps	7 A		7 A		8.5 A		9 A	
	BTU/Hr	874		1177		1840		2286	
<b>Net Weight</b>		230 kg (507.0 lbs)				346 kg (762.8 lbs)			
<b>Shipping Weight</b>		285 kg (628.3 lbs)				428 kg (943.6 lbs)			
<b>Shipping Dimension (W x D x H)</b>		1450 x 820 x 1760 mm (57.0" x 32.2" x 69.2")				2050 x 820 x 1760 mm (80.7" x 32.2" x 69.2")			

\*Noise reading in open field condition / anechoic chamber



**WORLD CLASS. WORLDWIDE.**

Esco Micro Pte. Ltd. • 21 Changi South Street 1 • Singapore 486 777  
Tel +65 6542 0833 • Fax +65 6542 6920 • mail@escoglobal.com  
www.escoglobal.com

Esco Technologies, Inc. • 903 Sheehy Drive, Suite F, Horsham, PA 19044, USA  
Tel 215-441-9661 • Fax 484-698-7757  
eti.admin@escoglobal.com • www.escolifesciences.us

Esco Global Offices: Bangladesh | Cameroon | China | Denmark | Germany | Hong Kong | India | Indonesia | Italy | Japan | Lithuania | Malaysia | Philippines | Russia | Singapore | South Africa | South Korea | Taiwan | Thailand | UAE | United Kingdom | USA | Vietnam

**ISOCIDE™**

escoglobal.com  
**LIVE SUPPORT**



9010220\_Biological Safety Cabinet\_SC2\_brochure\_A4\_VG\_122018  
 Esco can accept no responsibility for possible errors in catalogues, brochures and other printed materials. Esco reserves the right to alter its products and specifications without notice. All trademarks and logos in this material are the property of Esco and the respective companies.