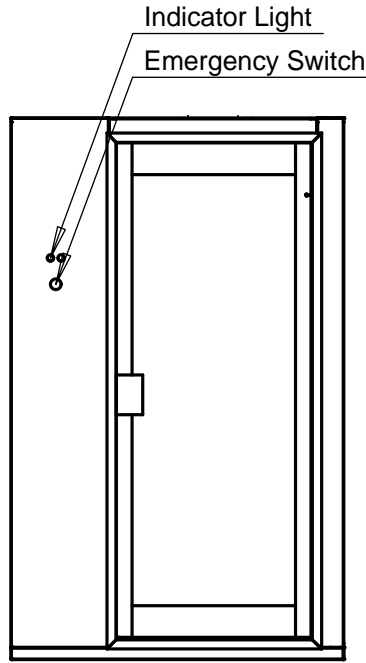
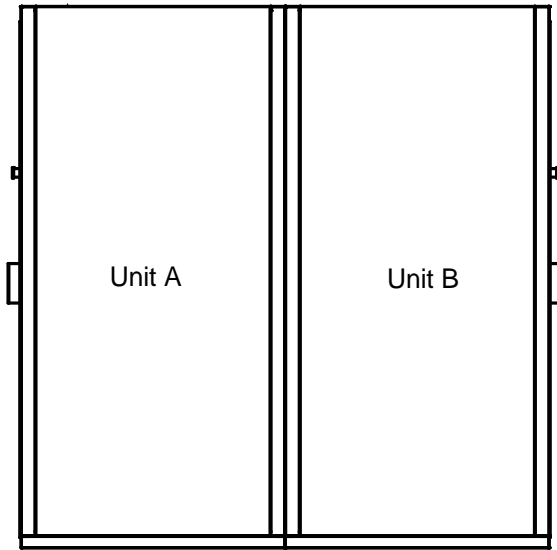


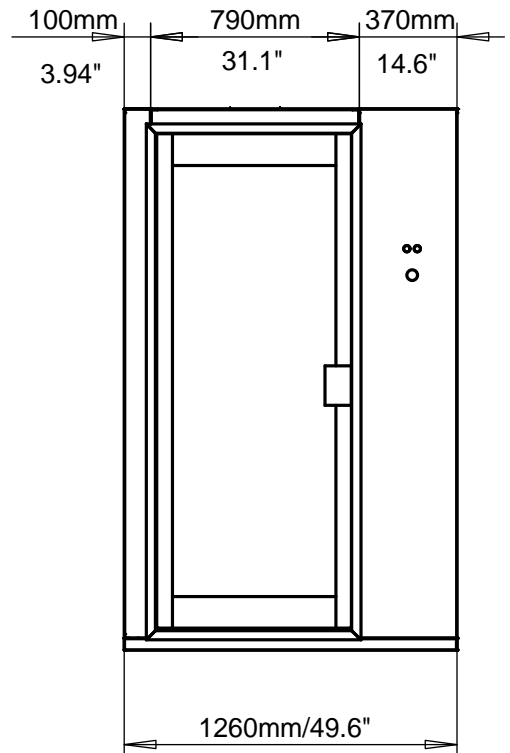
PLAN VIEW



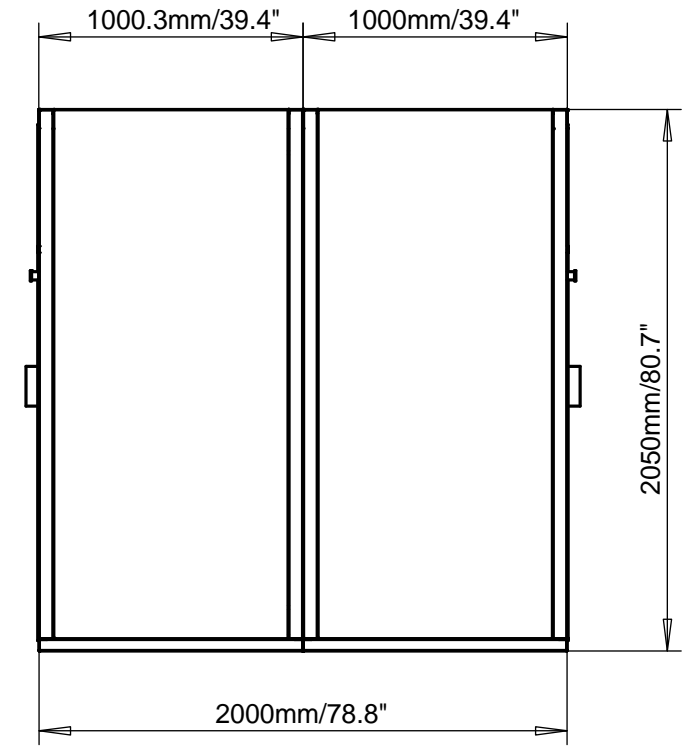
View A-A'



View C-C'



View B-B'



View D-D'

"PLEASE READ DISCLAIMER SIGNATURE OF APPROVAL"
 Esco requires a signature of approval before we can proceed with design and fabrication. Carefully review the submittal package (project specifications and drawings) and sign below. Contact Esco immediately if there are any to or concerns about submittal package. Any revisions after receipt of the initial submittal package may result in a pricing change. Any revisions after the final approval will result in an additional charge.
 Customer Signature of Approval:

Part	Drawing number Item reference	Part or assembly group name	Standard	Shape, Dimension Designation	Quality	Qty
NOTE			THIRD ANGLE VIEW	DIMENSION : mm	SCALE	1:50
General Tolerances :						DATE
						2008-07-31
			EAS-2A1			
			Dimension 1260mm x 2050mm x 2000mm			
			1260-02-A001			
APPROVAL		CHECKED BY	DESIGNED BY	DRAWN BY		
			2008-07-31	Tumpak		
PAPER SIZE		ESCO		WORLD CLASS. WORLDWIDE.		
A3						
Project: EJU-1260-2			Product: Esco Air Shower			QT: