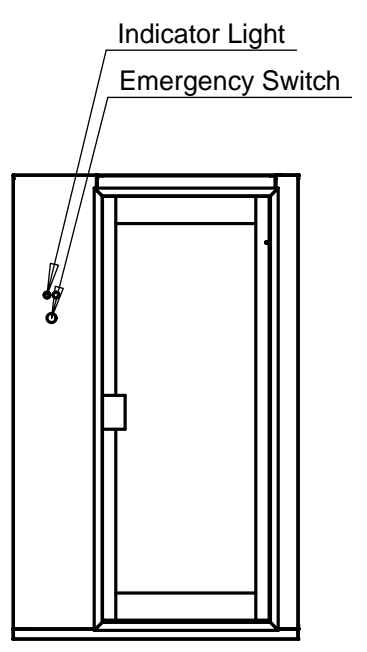
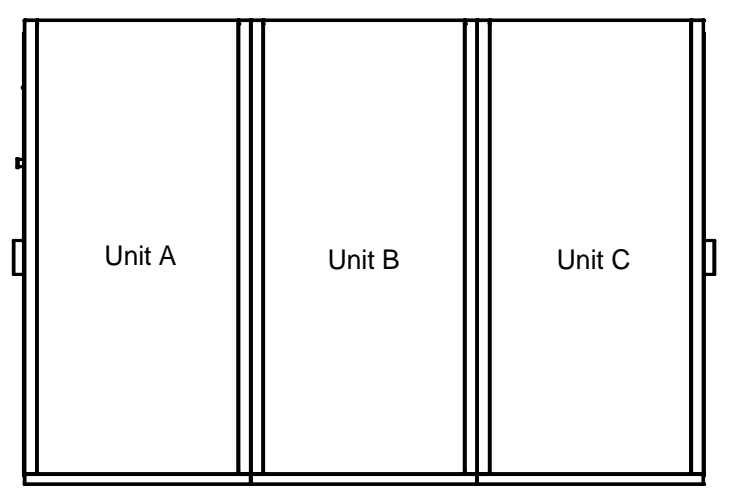


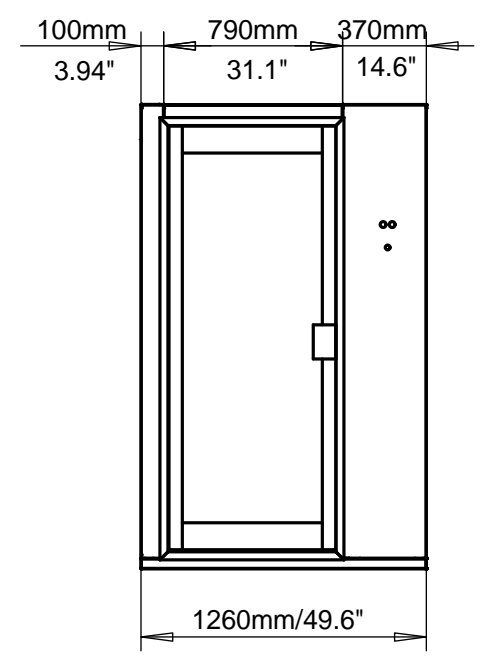
PLAN VIEW



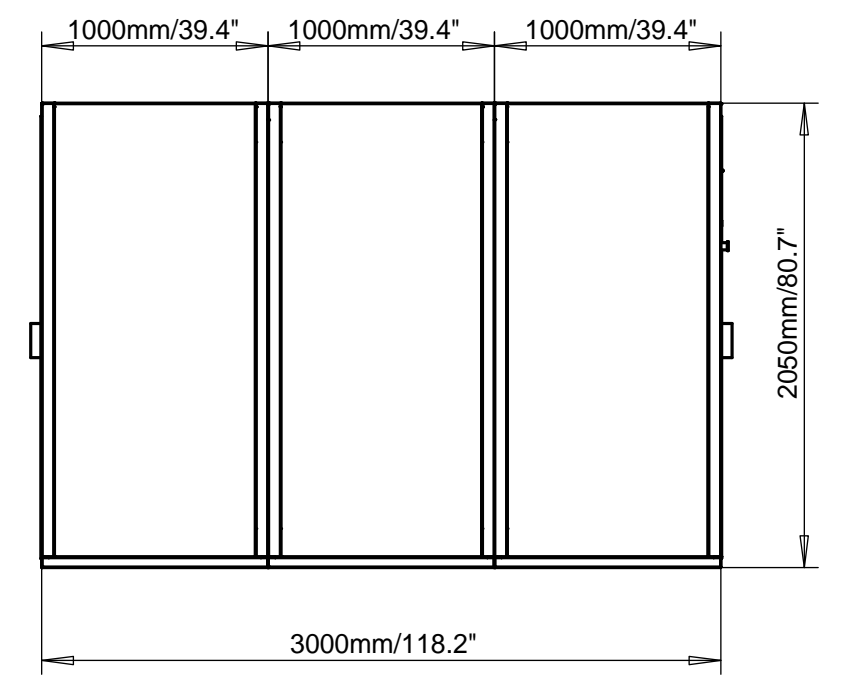
View A-A'



View C-C'



View B-B'



View D-D'

"PLEASE READ DISCLAIMER SIGNATURE OF APPROVAL"  
 Esco requires a signature of approval before we can proceed with design and fabrication. Carefully review the submittal package (project specifications and drawings) and sign below. Contact Esco immediately if there are any to or concerns about submittal package. Any revisions after receipt of the initial submittal package may result in a pricing change. Any revisions after the final approval will result in an additional charge.  
 Customer Signature of Approval:

|                      |                               |                             |                                    |                              |            |      |
|----------------------|-------------------------------|-----------------------------|------------------------------------|------------------------------|------------|------|
| Part                 | Drawing number Item reference | Part or assembly group name | Standard                           | Shape, Dimension Designation | Quality    | Qty  |
| NOTE                 |                               |                             | THIRD ANGLE VIEW                   | DIMENSION : mm               | SCALE      | 1:50 |
| General Tolerances : |                               |                             |                                    | DATE                         | 2008-07-31 |      |
|                      |                               |                             | EAS-3A1                            |                              |            |      |
|                      |                               |                             | Dimension 1260mm x 2050mm x 3000mm |                              |            |      |
|                      |                               |                             | 1260-03-A00c                       |                              |            |      |
| APPROVAL             |                               | CHECKED BY                  | DESIGNED BY                        | DRAWN BY                     |            |      |
|                      |                               |                             | 2008-07-31                         | Tumpak                       |            |      |
| PAPER SIZE           |                               | ESCO                        |                                    | WORLD CLASS. WORLDWIDE.      |            |      |
| A3                   |                               |                             |                                    |                              |            |      |
| Project: EJU-1260-3  |                               |                             | Product: Esco Air Shower           |                              |            | QT:  |