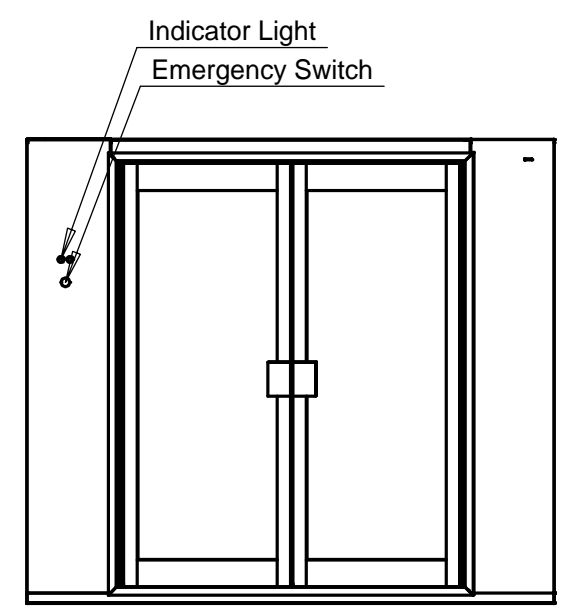
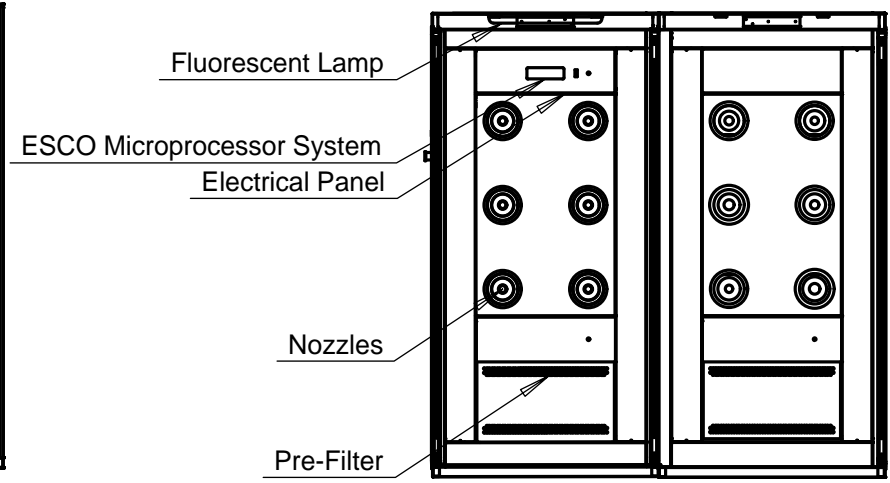
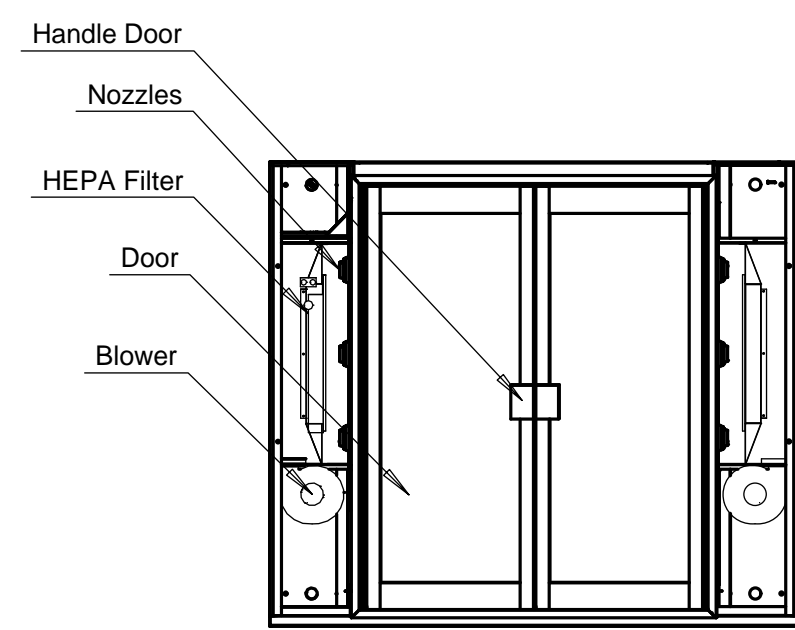
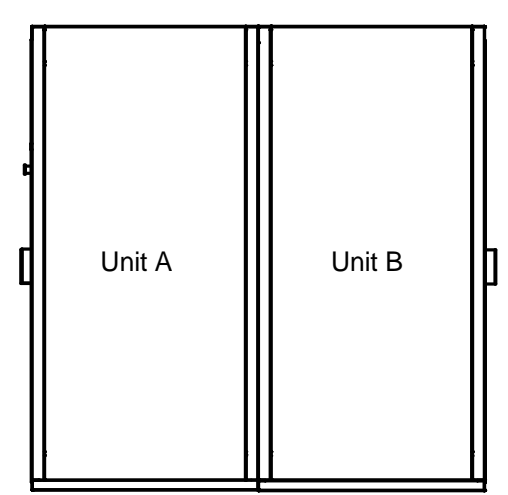


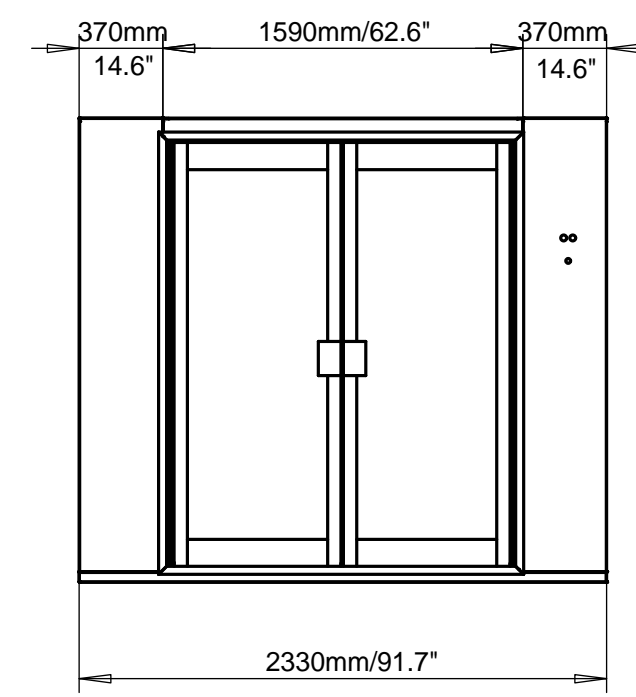
PLAN VIEW



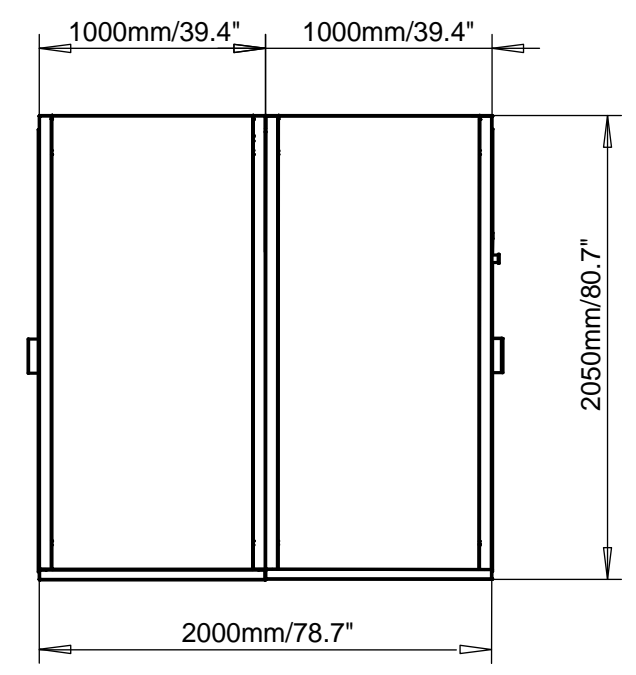
View A-A'



View C-C'



View B-B'



View D-D'

"PLEASE READ DISCLAIMER SIGNATURE OF APPROVAL"
 Esco requires a signature of approval before we can proceed with design and fabrication. Carefully review the submittal package (project specifications and drawings) and sign below. Contact Esco immediately if there are any to or concerns about submittal package. Any revisions after receipt of the initial submittal package may result in a pricing change. Any revisions after the final approval will result in an additional charge.
 Customer Signature of Approval:

Part	Drawing number Item reference	Part or assembly group name	Standard	Shape, Dimension Designation	Quality	Qty
NOTE			THIRD ANGLE VIEW	DIMENSION : mm	SCALE 1:50	DATE 2008-08-01
General Tolerances :			EAS-2C1			
			Dimension 2330mm x 2050mm x 2000mm			
"These drawings and specifications are the exclusive property of Esco, issued in strict confidence and shall not, without the prior written permission of Esco, be reproduced"			2330-02-A00e			
APPROVAL		CHECKED BY	DESIGNED BY	DRAWN BY		
			2008-08-01	Tumpak		
PAPER SIZE A3		ESCO WORLD CLASS. WORLDWIDE.		Project: EJU-2330-2		
				Product: Esco Air Shower		QT: