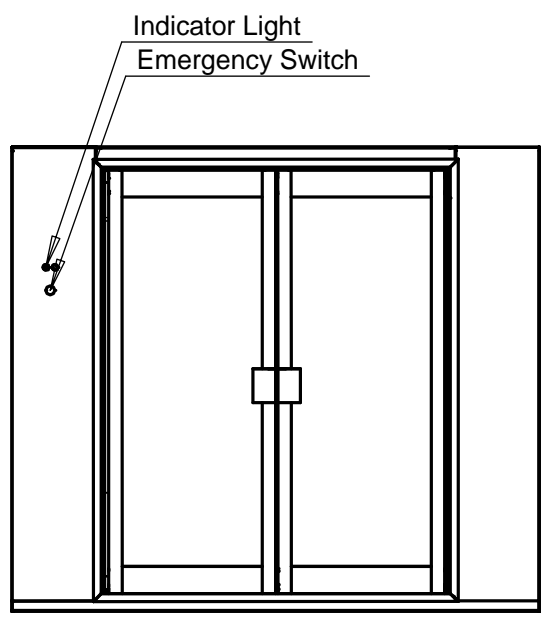
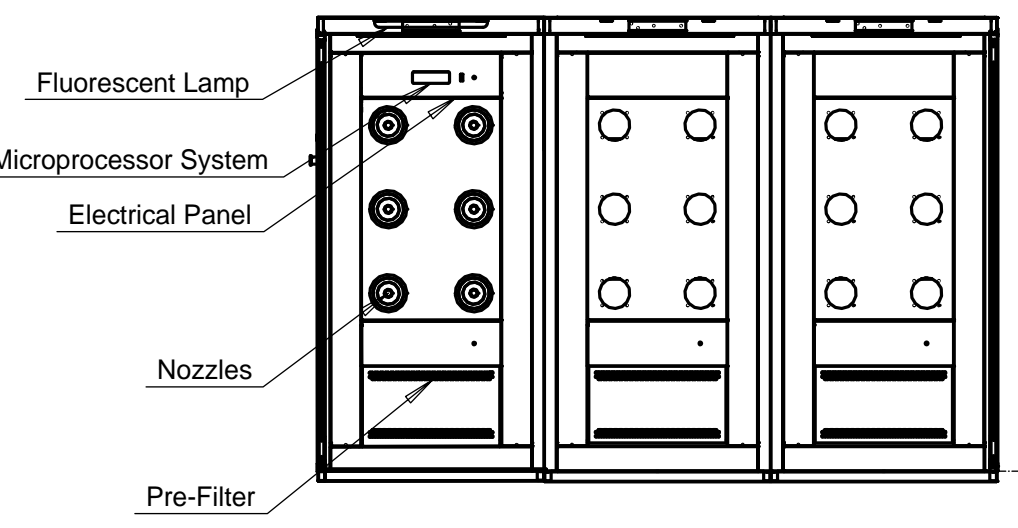
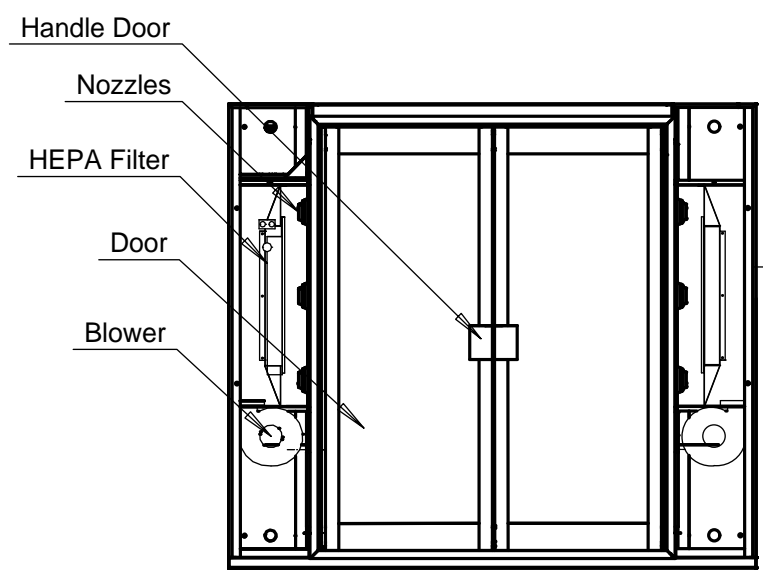
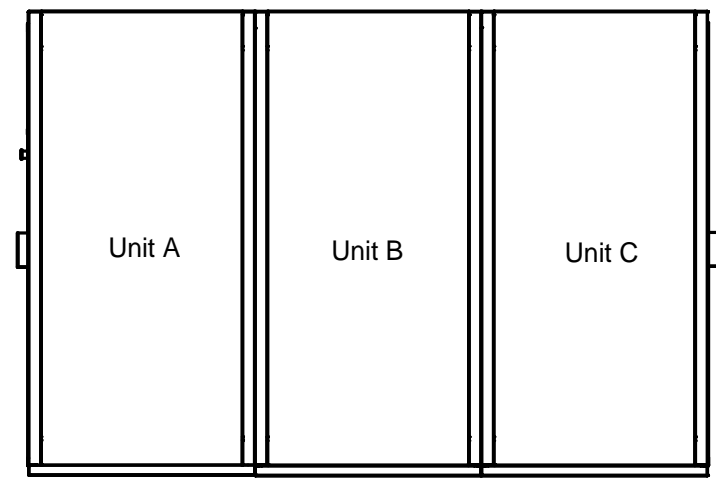


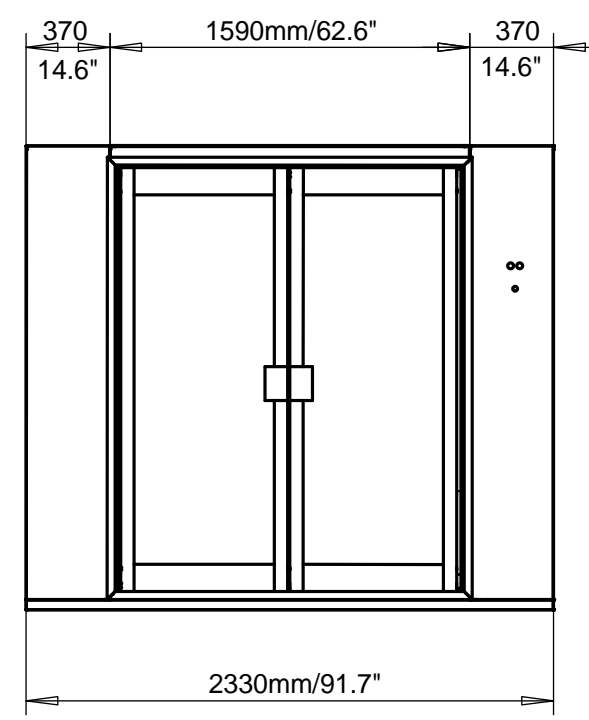
PLAN VIEW



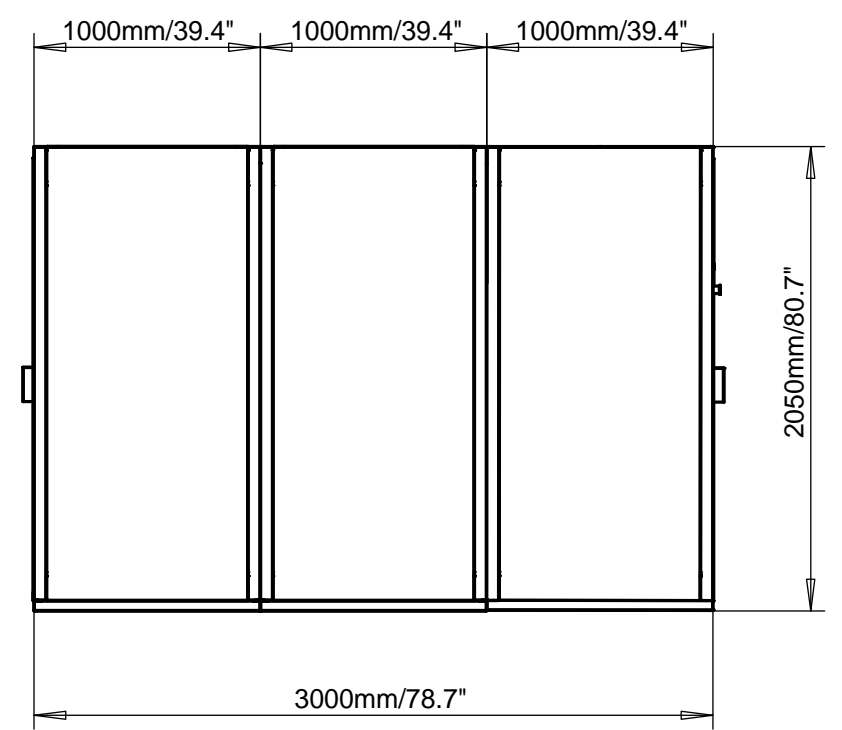
View A-A'



View C-C'



View B-B'



View D-D'

"PLEASE READ DISCLAIMER SIGNATURE OF APPROVAL"
 Esco requires a signature of approval before we can proceed with design and fabrication. Carefully review the submittal package (project specifications and drawings) and sign below. Contact Esco immediately if there are any to or concerns about submittal package. Any revisions after receipt of the initial submittal package may result in a pricing change. Any revisions after the final approval will result in an additional charge.
 Customer Signature of Approval:

Part	Drawing number	Item reference	Part or assembly group name	Standard	Shape, Dimension	Designation	Quality	Qty	
NOTE				THIRD ANGLE VIEW	DIMENSION : mm	SCALE	1:50	DATE	2008-08-01
General Tolerances :				EAS-3C1					
				Dimension 2330mm x 2050mm x 3000mm					
				2330-03-A00e					
APPROVAL		CHECKED BY		DESIGNED BY		DRAWN BY			
				2008-08-01		Tumpak			
PAPER SIZE				ESCO		WORLD CLASS. WORLDWIDE.			
A3									
Project: EGU-2330-3				Product: Esco Air Shower				QT:	

