

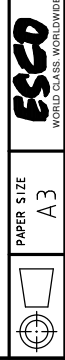
### ISOMETRIC VIEW

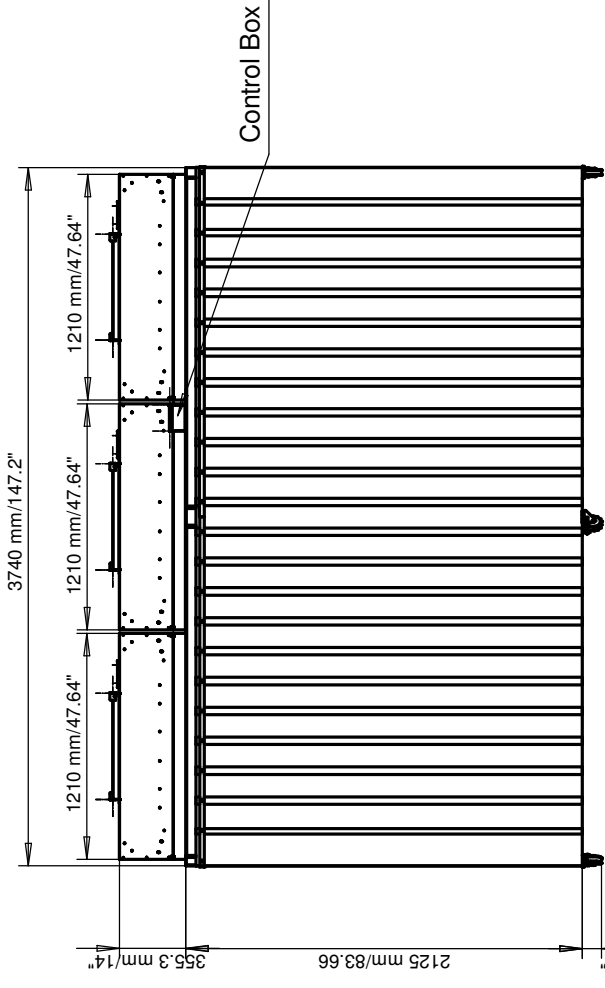
**"PLEASE READ DISCLAIMER SIGNATURE OF APPROVAL"**

Esco requires a signature of approval before we can proceed with design and fabrication. Carefully review the submittal package (project specifications and drawings) and sign below. Contact Esco immediately if there are any questions or concerns about submittal package. Any revisions after receipt of the initial submittal package may result in a pricing change. Any revisions after the final approval will result in an additional charge.

Customer Signature of Approval:

Part	Drawing number, item reference	Part or assembly group name	Standard	Shape, Dimension Designation	Quantity	Qty		
			THIRD ANGLE VIEW	DIMENSION, mm	SCALE	1:10	DATE	2008-01-21
NOTE								
General Tolerances :								
"These drawings and specifications are the exclusive property of Esco. Issued in strict confidence and shall not, without the prior written permission of Esco, be reproduced."								
STL/SC-10127-AB.5								
Dimension 10" x 12' x 7" (Height)								
SC-101217_NEW-FAC								
APPROVAL								
DESIGNED BY					DRAWN BY			
2008-01-21					ling			
Project: STL/SC-10127-AB.5								
Product: Split Openair (TM) Split Wall Exhaust								
99 Class 5								

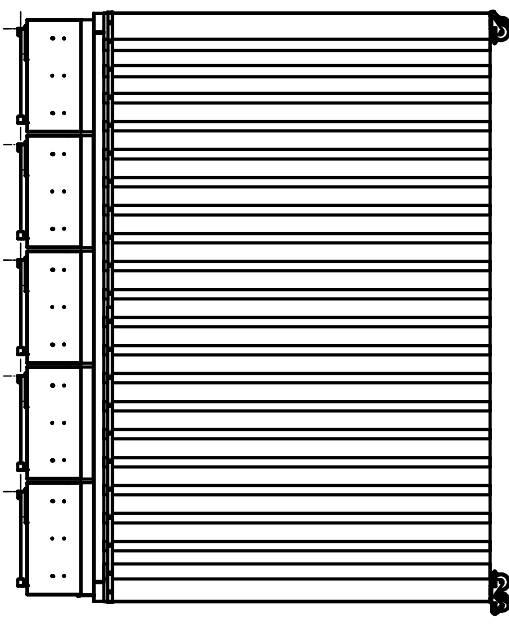




Control Box

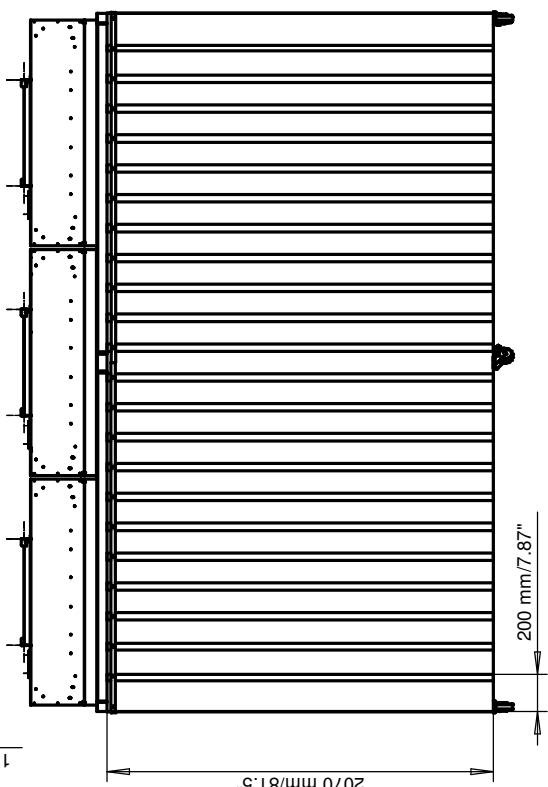
ELEVATION VIEW

VIEW A-A



VIEW C-C

NOTES :  
Curtain Dimension : 2070/81.5"x200mm/7.87"



VIEW B-B

VIEW D-D

"PLEASE READ DISCLAIMER SIGNATURE OF APPROVAL"  
Esco requires a signature of approval before we can proceed with design and fabrication. Carefully review the submittal package (project specifications and drawings) and sign below. Contact Esco immediately if there are any concerns about submittal package. Any revisions after receipt of the initial submittal package may result in a pricing change. Any revisions after the final approval will result in an additional charge.  
Customer Signature of Approval:

NOTE		General Tolerances :	
"These drawings and specifications are the exclusive property of Esco. Issue in strict confidence and shall not, without the prior written permission of Esco, be reproduced."			
APPROVAL	CHECKED BY	DESIGNED BY	DRAWN BY
		2008-01-21	ling
STL/SC-10127-AB.5		Dimension 10' x 12' x 7" (Height)	
SC-101217_NEW-FAB		APPROVAL	
PAPER SIZE A3		WORLD CLASS WORLDWIDE	
Project: STL/SC-10127-AB.5		Product: Split Operate (TM) Split Wall (Coverless)	
50		50	

**NOTES :**

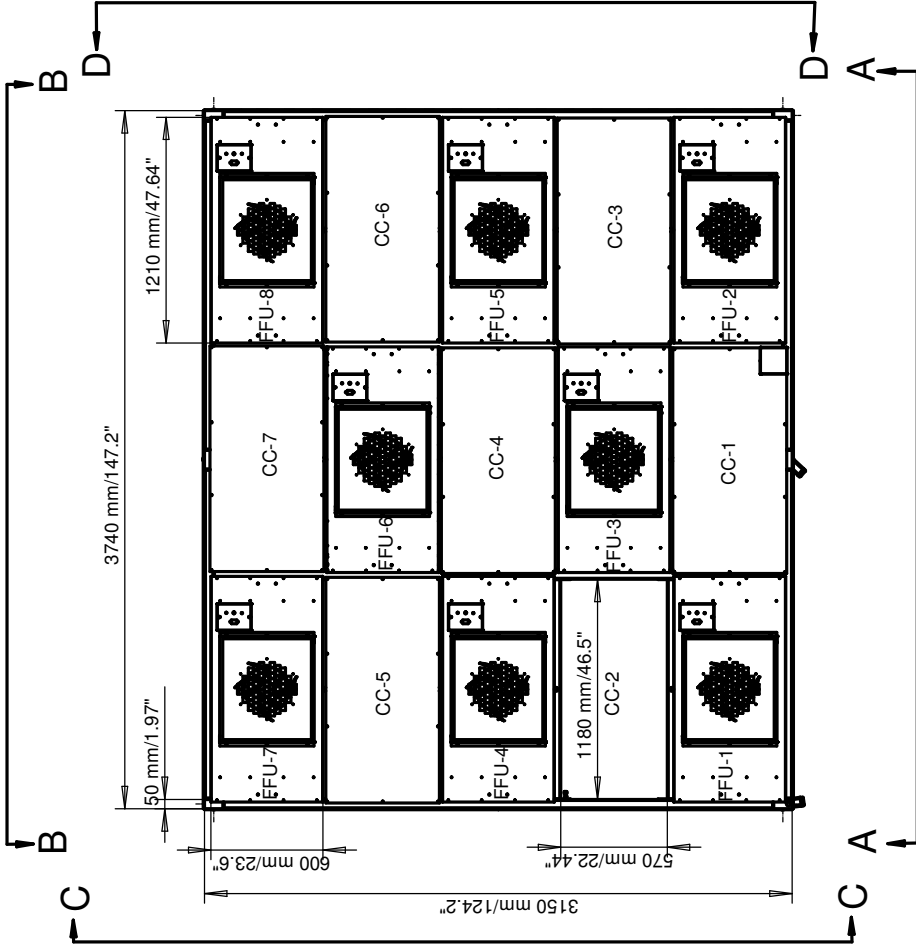
**ISO Class 5\* - Class 100**

**(8) FFU 2'x4' AND HEPA 2'x4'**

1. (FFU-1) Fan Filter Unit - 2'x4' and HEPA 2'x4'
2. (FFU-2) Fan Filter Unit - 2'x4' and HEPA 2'x4'
3. (FFU-3) Fan Filter Unit - 2'x4' and HEPA 2'x4'
4. (FFU-4) Fan Filter Unit - 2'x4' and HEPA 2'x4'
5. (FFU-5) Fan Filter Unit - 2'x4' and HEPA 2'x4'
6. (FFU-6) Fan Filter Unit - 2'x4' and HEPA 2'x4'
7. (FFU-7) Fan Filter Unit - 2'x4' and HEPA 2'x4'
8. (FFU-8) Fan Filter Unit - 2'x4' and HEPA 2'x4'

**(7) CEILING COVER**

1. (CC-1) Ceiling Cover - 2'x4'
2. (CC-2) Ceiling Cover - 2'x4'
3. (CC-3) Ceiling Cover - 2'x4'
4. (CC-4) Ceiling Cover - 2'x4'
5. (CC-5) Ceiling Cover - 2'x4'
6. (CC-6) Ceiling Cover - 2'x4'
7. (CC-7) Ceiling Cover - 2'x4'



**PLAN VIEW**

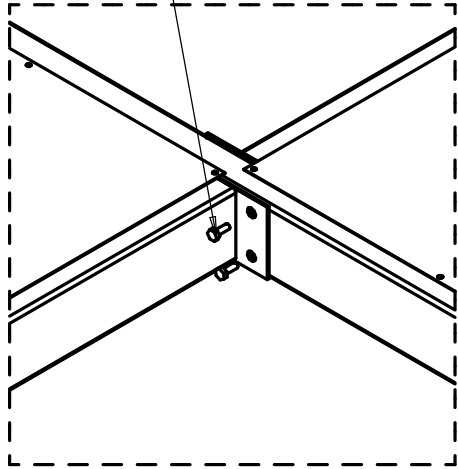
"PLEASE READ DISCLAIMER SIGNATURE OF APPROVAL"  
 Esco requires a signature of approval before we can proceed with design and fabrication. Carefully review the submittal package (project specifications and drawings) and sign below. Contact Esco immediately if there are any to or concerns about submittal package. Any revisions after receipt of the initial submittal package may result in a pricing change. Any revisions after the final approval will result in an additional charge.  
 Customer Signature of Approval:

Part	Drawing number, item reference	Part or assembly group name	Standard	Shape, Dimension Designation	Quality	Qty
			Dimension, mm	SCALE	1/16	DATE
						2008-01-21
<p><b>NOTE</b>                      General Tolerances :</p> <p>APPROVAL</p> <p>STL/SC-10127-08.5                      Dimension 10' x 12' x 7' (Height)                      SC101217_NEW-FAD</p>						
DESIGNED BY				DRAWN BY		
2008-01-21				iling		
Project: STL/SC-10127-08.5						
Product: Split Opened 10M Split Wall Cleanroom						



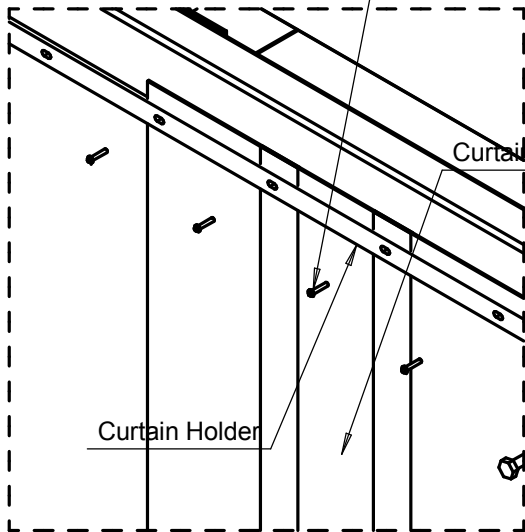
PAPER SIZE  
 A3

S/S BOLT M8X20



"T" CONNECTION DETAIL

PANHEAD SCREW M4X20

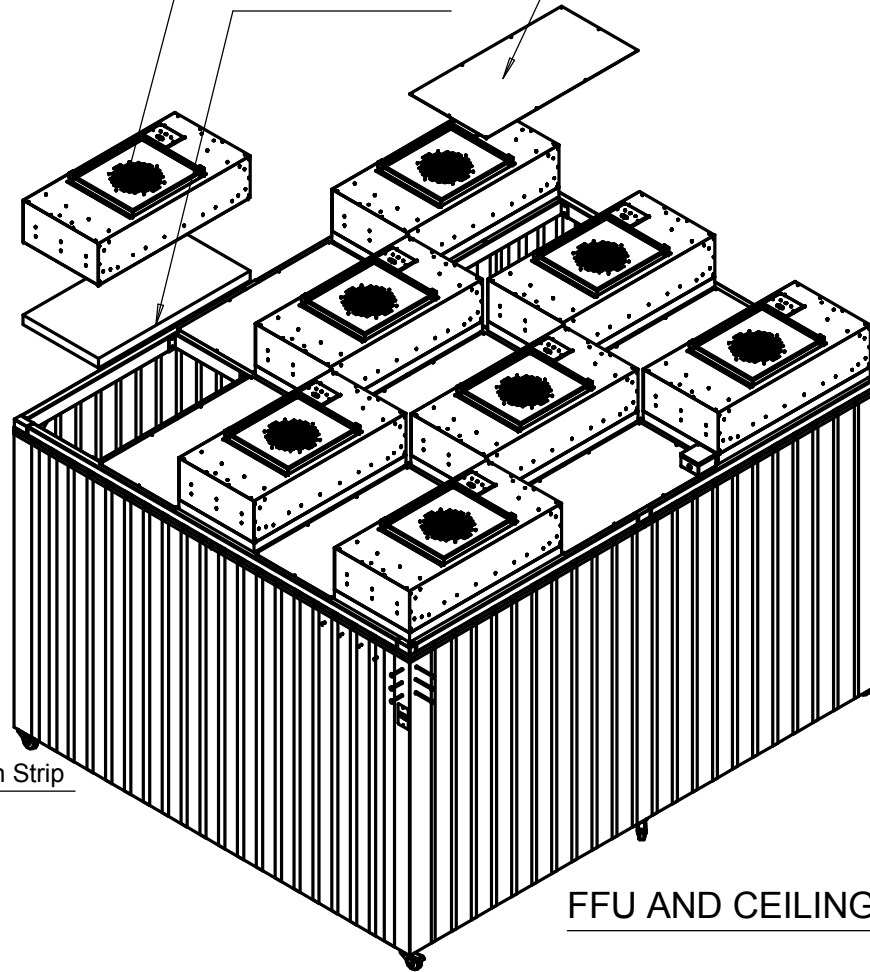


CURTAIN HOLDER CONNECTION DETAIL

Fan Filter Unit

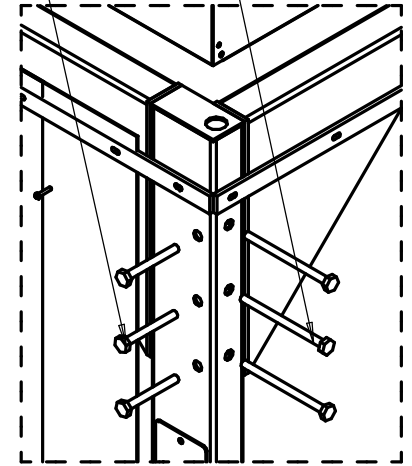
HEPA Filter

Ceiling Cover



S/S BOLT M10X80

S/S BOLT M10X130



CORNER CONNECTION DETAIL

FFU AND CEILING COVER CONNECTION DETAIL

"PLEASE READ DISCLAIMER SIGNATURE OF APPROVAL"

Esco requires a signature of approval before we can proceed with design and fabrication. Carefully review the submittal package (project specifications and drawings) and sign below. Contact Esco immediately if there are any to or concerns about submittal package. Any revisions after receipt of the initial submittal package may result in a pricing change. Any revisions after the final approval will result in an additional charge.

Customer Signature of Approval:

Part	Drawing number item reference	Part or assembly group name	Standard	Shape, Dimension Designation	Quality	Qty
NOTE			THIRD ANGLE VIEW	DIMENSION : mm	SCALE	1:15
General Tolerances :						DATE
						2008-01-21
			<b>STL/SC-10127-49.5</b>			
			<b>Dimension 10' x 12' x 7' (Height)</b>			
			<b>SC101217_NEW-FAT</b>			
APPROVAL	CHECKED BY	DESIGNED BY	DRAWN BY			
			2008-01-21			
			ling			
Project: STL/SC-10127-49.5			Product's Self Seals (TM) Self Seal (Clearance)			ISO Class 5



PAPER SIZE  
A3

