

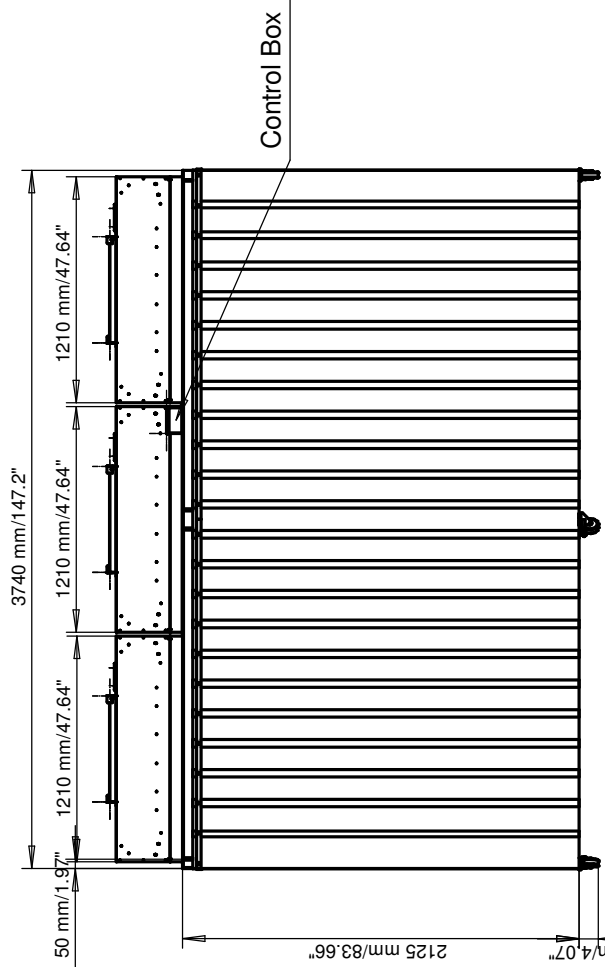
ISOMETRIC VIEW

"PLEASE READ DISCLAIMER SIGNATURE OF APPROVAL"
 Esco requires a signature of approval before we can proceed with design and fabrication. Carefully review the submittal package (project specifications and drawings) and sign below. Contact Esco immediately if there are any to or concerns about submittal package. Any revisions after receipt of the initial submittal package may result in a pricing change. Any revisions after the final approval will result in an additional charge.
 Customer Signature of Approval: _____

Part	Drawing number, Item reference	Part or assembly group name	Standard	Shape, Dimension Designation	Scale	Units	Date	Quantity	Qty
									2008-01-21
NOTE									
General Tolerances :									
STL/SC-10127-MK.5									
Dimension 10' x 12' x 7' (Height)									
SC10127-45C									
APPROVAL									
DESIGNED BY					DRAWN BY				
2008-01-21					ling				
Project: STL/SC-10127-MK.5									
Product: Split Opacite (TM) Split Wall Cleanroom									

PAPER SIZE
A3

WORLD CLASS WORLDWIDE



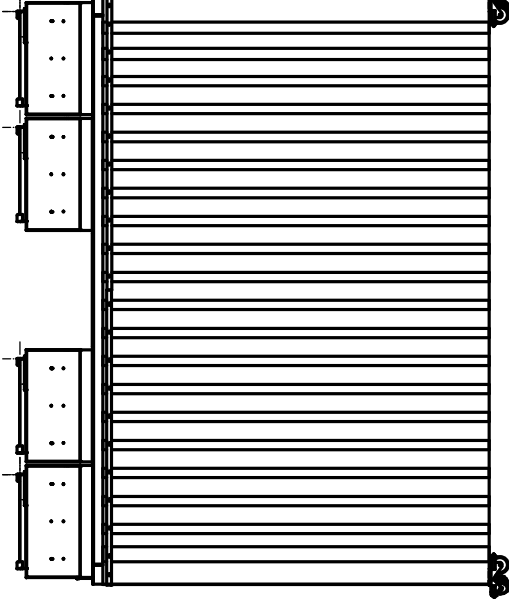
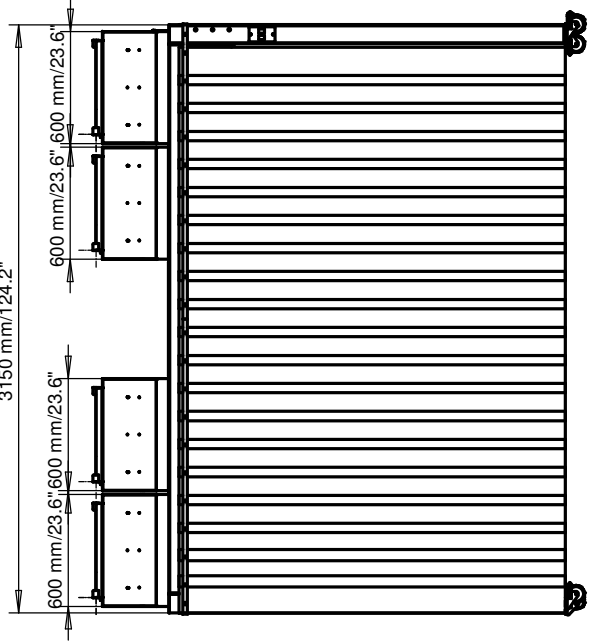
ELEVATION VIEW

VIEW A-A

NOTES :

Curtain Dimension : 2070mm/81.5"x200mm/7.87"

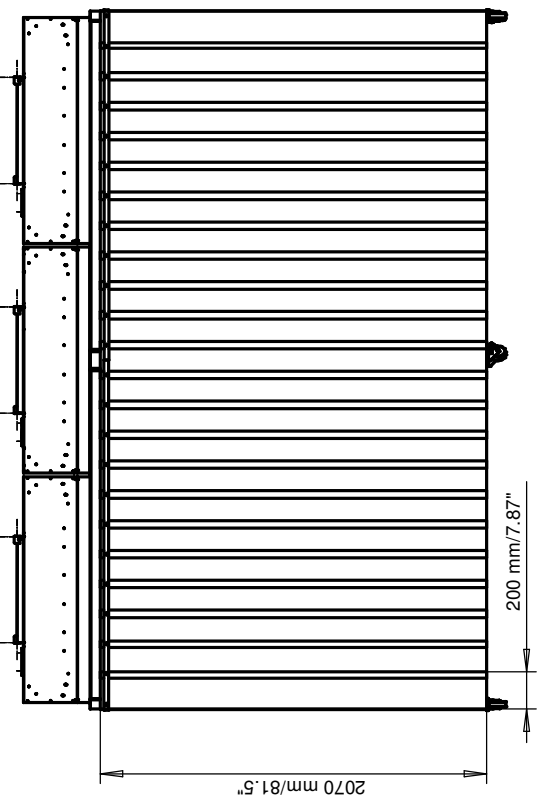
VIEW C-C



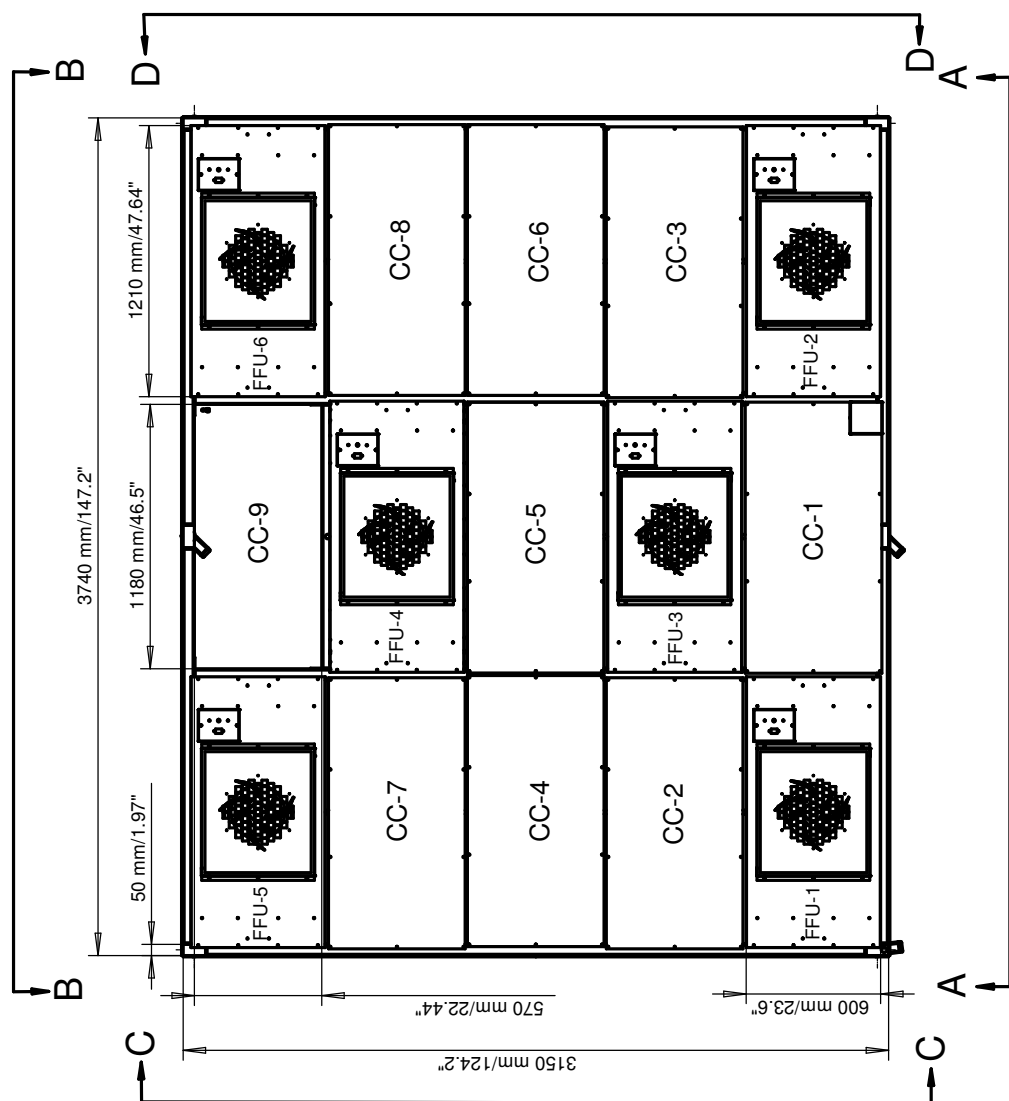
VIEW D-D

"PLEASE READ DISCLAIMER SIGNATURE OF APPROVAL"
 Escoco requires a signature of approval before we can proceed with design and fabrication. Carefully review the submittal package (project specifications and drawings) and sign below. Contact Escoco immediately if there are any To or concerns about submittal package. Any revisions after receipt of the initial submittal package may result in a pricing change. Any revisions after the final approval will result in an additional charge.
 Customer Signature of Approval:

VIEW B-B



Part	Drawing number, item reference	Part or assembly group name	THIRD ANGLE VIEW	Standard	Shape, Dimension Designation	Quality	Qty
				Dimension, mm	SCALE	1:15	DATE
<p>NOTE General Tolerances :</p>							
<p>STL/SC-10127-MK-5 Dimension 10' x 12' x 7' (Height) SC-10127-450</p>							
APPROVAL				CHECKED BY	DESIGNED BY	DRAWN BY	
					2008-01-21		
PAPER SIZE A3			Project: STL/SC-10127-MK-5			Product: Split Operate (TM) Split Wall (Escoco)	
ESCOCO WORLD CLASS. WORLDWIDE.			50' Check 6				



- NOTES :**
- ISO Class 6* - Class 1000**
- (6) FFU 2'x4' AND HEPA 2'x4'
- (FFU-1) Fan Filter Unit - 2'x4' and HEPA 2'x4'
 - (FFU-2) Fan Filter Unit - 2'x4' and HEPA 2'x4'
 - (FFU-3) Fan Filter Unit - 2'x4' and HEPA 2'x4'
 - (FFU-4) Fan Filter Unit - 2'x4' and HEPA 2'x4'
 - (FFU-5) Fan Filter Unit - 2'x4' and HEPA 2'x4'
 - (FFU-6) Fan Filter Unit - 2'x4' and HEPA 2'x4'

(9) CEILING COVER

- (CC-1) Ceiling Cover - 2'x4'
- (CC-2) Ceiling Cover - 2'x4'
- (CC-3) Ceiling Cover - 2'x4'
- (CC-4) Ceiling Cover - 2'x4'
- (CC-5) Ceiling Cover - 2'x4'
- (CC-6) Ceiling Cover - 2'x4'
- (CC-7) Ceiling Cover - 2'x4'
- (CC-8) Ceiling Cover - 2'x4'
- (CC-9) Ceiling Cover - 2'x4'

PLAN VIEW

"PLEASE READ DISCLAIMER SIGNATURE OF APPROVAL"

Esco requires a signature of approval before we can proceed with design and fabrication. Carefully review the submittal package (project specifications and drawings) and sign below. Contact Esco immediately if there are any to or concerns about submittal package. Any revisions after receipt of the initial submittal package may result in a pricing change. Any revisions after the final approval will result in an additional charge.

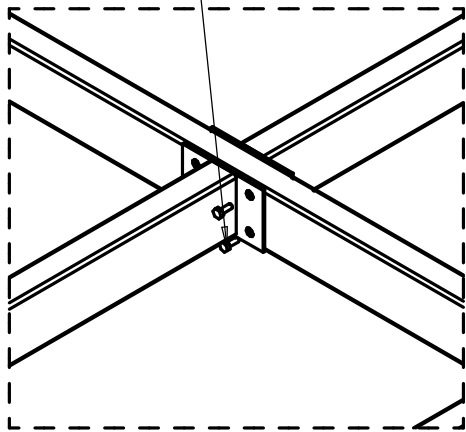
Customer Signature of Approval:

Part	Drawing number, item reference	Part or assembly group name	Standard	Shape, Dimension	Designation	Quantity	Qty
			THIRD ANGLE VIEW	DIMENSION, mm	SCALE	1:15	DATE
							2008-01-21
<p>NOTE</p> <p>General Tolerances :</p> <p>STL/SC-10127-MK.5</p> <p>Dimension 10' x 12' x 7' (Height)</p> <p>SC-10127-45D</p>							
APPROVAL				CHECKED BY	DESIGNED BY	DRAWN BY	
					2008-01-21	ling	
<p>Project: STL/SC-10127-MK.5</p> <p>Product: Split Openair (TM) Split Wall Cleanroom</p>							

PAPER SIZE A3

WORLD CLASS WORKSPACE

S/S BOLT M8X20

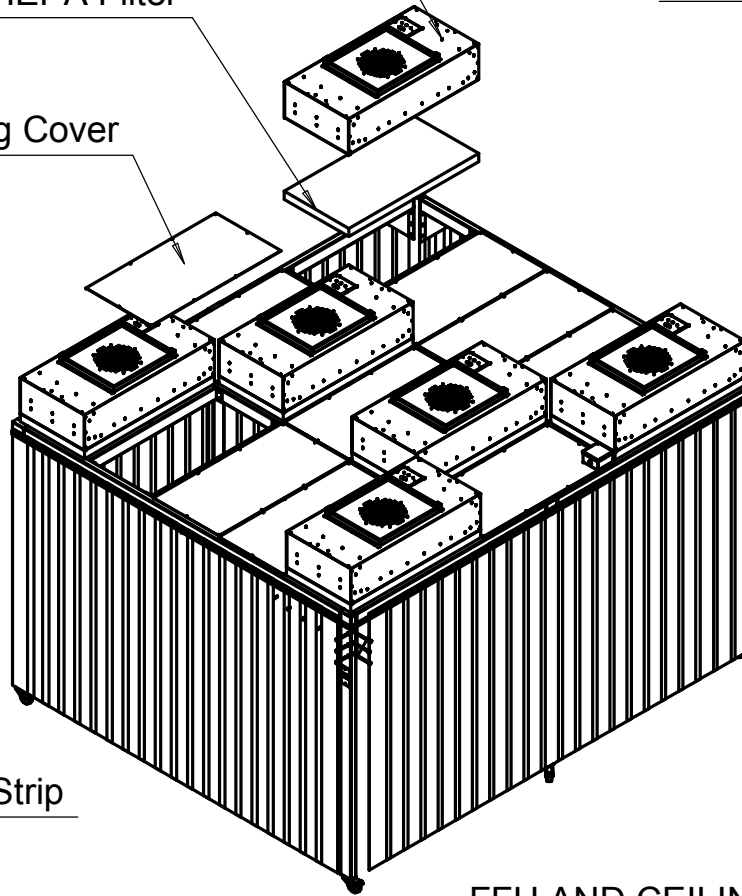


"T" CONNECTION DETAIL

Fan Filter Unit

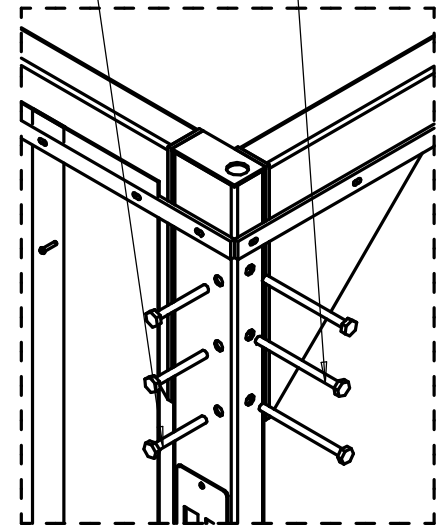
HEPA Filter

Ceiling Cover



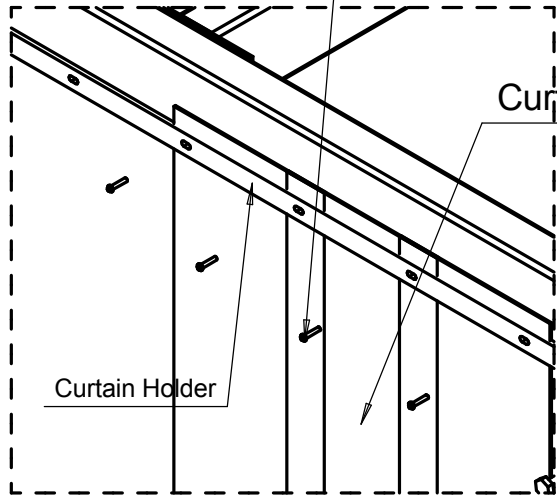
S/S BOLT M10X80

S/S BOLT M10X130



CORNER CONNECTION DETAIL

PANHEAD SCREW M4X20



Curtain Strip

Curtain Holder

CURTAIN HOLDER CONNECTION DETAIL

FFU AND CEILING COVER CONNECTION DETAIL

"PLEASE READ DISCLAIMER SIGNATURE OF APPROVAL"

Esco requires a signature of approval before we can proceed with design and fabrication. Carefully review the submittal package (project specifications and drawings) and sign below. Contact Esco immediately if there are any typos or concerns about submittal package. Any revisions after receipt of the initial submittal package may result in a pricing change. Any revisions after the final approval will result in an additional charge.

Customer Signature of Approval:

Part	Drawing number item reference	Part or assembly group name	Standard	Shape, Dimension Designation	Quality	Qty
NOTE			THIRD ANGLE VIEW	DIMENSION : mm	SCALE : 1:25	DATE : 2008-01-21
General Tolerances :			STL/SC-10127-W.5			
			Dimension 10' x 12' x 7' (Height)			
			SC10127-45f			
APPROVAL	CHECKED BY	DESIGNED BY	DRAWN BY			
		ling				
Project: STL/SC-10127-W.5			Product: Soft Capsule 1700 Soft Wall Cleanroom			ISO Class 5



PAPER SIZE
A3

