

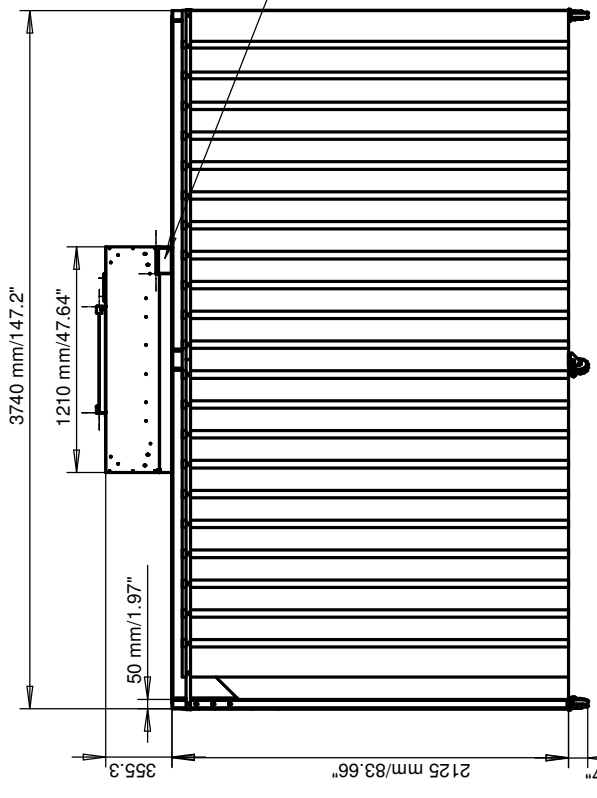
ISOMETRIC VIEW

"PLEASE READ DISCLAIMER SIGNATURE OF APPROVAL"
 Esco requires a signature of approval before we can proceed with design and fabrication. Carefully review the submittal package (project specifications and drawings) and sign below. Contact Esco immediately if there are any to or concerns about submittal package. Any revisions after receipt of the initial submittal package may result in a pricing change. Any revisions after the final approval will result in an additional charge.
 Customer Signature of Approval:

Part	Drawing number, item reference	Part or assembly group name	Standard	Shape, Dimension Designation	Quantity	Qty
			Dimension, mm	SCALE	1:15	DATE
						2008-01-21
NOTE						
General Tolerances :						
STL/SC-10127-05.5						
Dimension 10" x 12" x 7" (Height)						
SC-10127-55C						
APPROVAL			CHECKED BY	DESIGNED BY	DRAWN BY	
				2008-01-21	ling	
			Product: Split Compact DM Split Wall Cleanroom			
			Project: STL/SC-10127-05.5			
			ISO Class 7			

PAPER SIZE
A3

WORLD CLASS WORLDWIDE



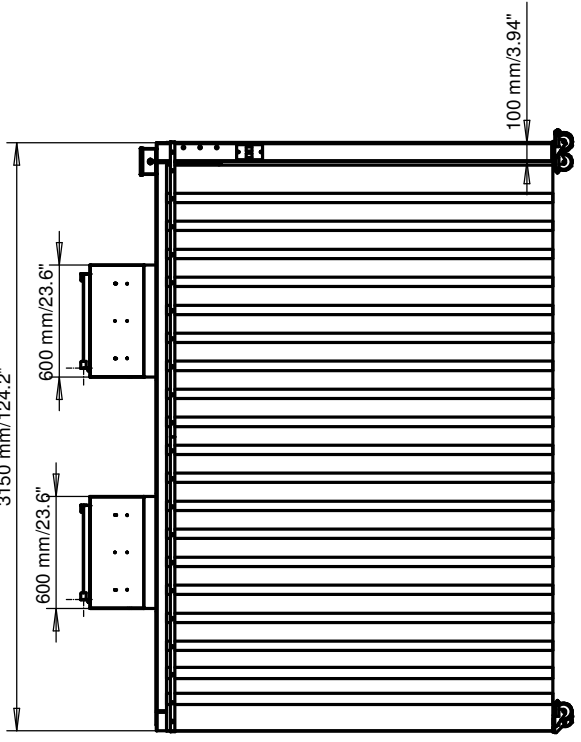
Control Box

ELEVATION VIEW

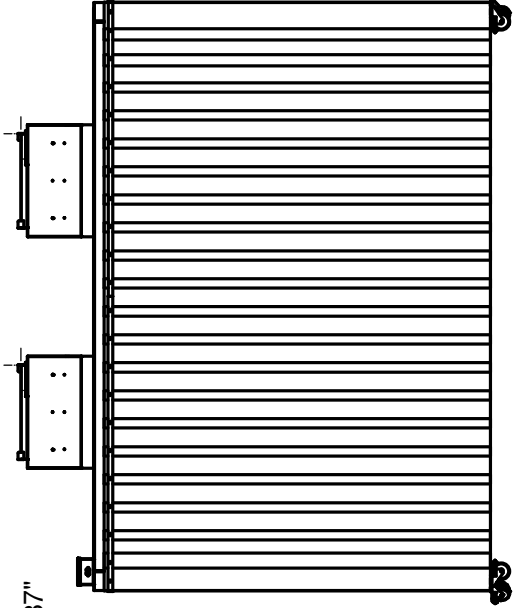
VIEW A-A

NOTES :

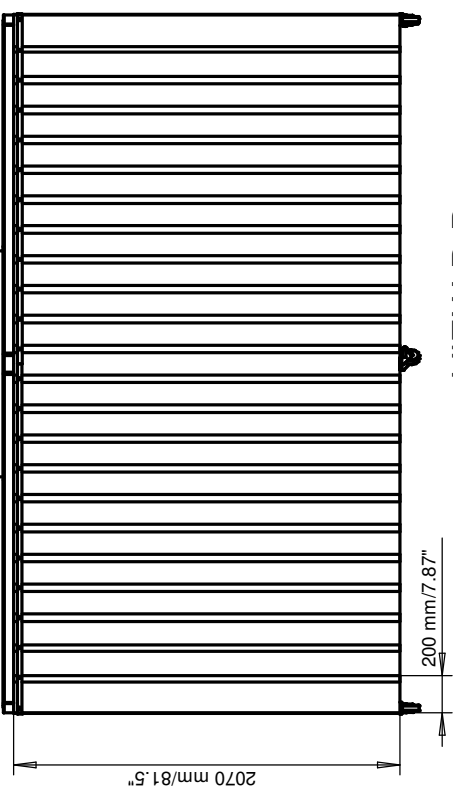
Curtain Dimension : 2070mm/81.5"x200mm/7.87"



VIEW C-C



VIEW D-D



VIEW B-B

"PLEASE READ DISCLAIMER SIGNATURE OF APPROVAL"
 Esco requires a signature of approval before we can proceed with design and fabrication. Carefully review the submittal package (project specifications and drawings) and sign below. Contact Esco immediately if there are any To or concerns about submittal package. Any revisions after receipt of the initial submittal package may result in a pricing change. Any revisions after the final approval will result in an additional charge.
 Customer Signature of Approval:

Part	Drawing number / Item reference	Part or assembly group name	Standard	Shape, Dimension Designation	Quality	Qty
			THIRD ANGLE VIEW	DIMENSION, mm	SCALE	1:15
				DATE	2008-01-21	
<p>NOTE</p> <p>General Tolerances :</p> <p>STL/SC-10127-05.5</p> <p>Dimension 10' x 12' x 7' (Height)</p> <p>SC-10127-550</p>						
APPROVAL			CHECKED BY	DESIGNED BY	2008-01-21	ling
				DRAWN BY		

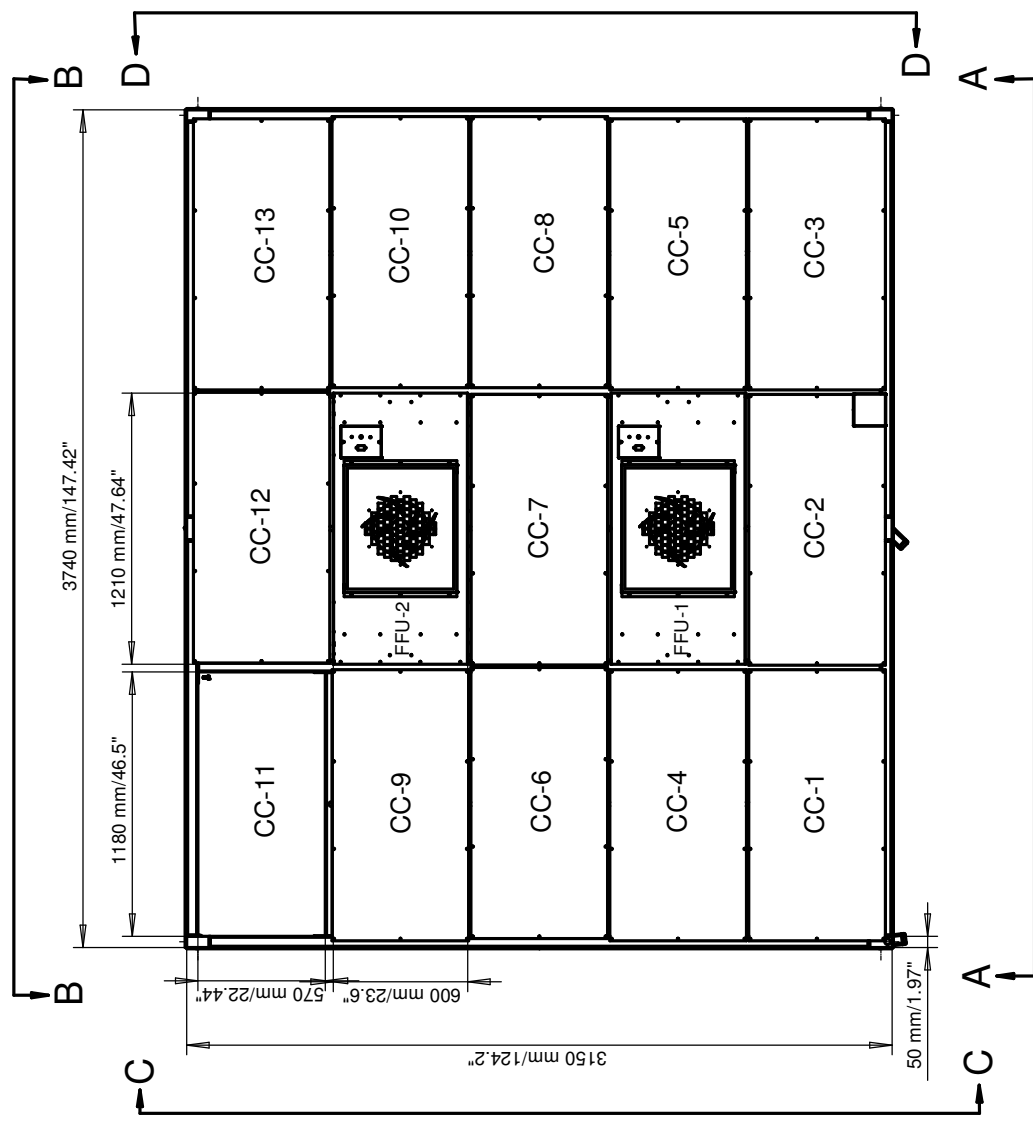
"These drawings and specifications are the exclusive property of Esco. Issue in strict confidence and shall not, without the prior written permission of Esco, be reproduced."



PAPER SIZE
A3

NOTES :
ISO Class 7* - Class 10.000
(2) FFU 2'x4' AND HEPA 2'x4'

1. (FFU-1) Fan Filter Unit - 2'x4' and HEPA 2'x4'
2. (FFU-2) Fan Filter Unit - 2'x4' and HEPA 2'x4'
- (13) CEILING COVER
1. (CC-1) Ceiling Cover - 2'x4'
2. (CC-2) Ceiling Cover - 2'x4'
3. (CC-3) Ceiling Cover - 2'x4'
4. (CC-4) Ceiling Cover - 2'x4'
5. (CC-5) Ceiling Cover - 2'x4'
6. (CC-6) Ceiling Cover - 2'x4'
7. (CC-7) Ceiling Cover - 2'x4'
8. (CC-8) Ceiling Cover - 2'x4'
9. (CC-9) Ceiling Cover - 2'x4'
10. (CC-10) Ceiling Cover - 2'x4'
11. (CC-11) Ceiling Cover - 2'x4'
12. (CC-12) Ceiling Cover - 2'x4'
13. (CC-13) Ceiling Cover - 2'x4'



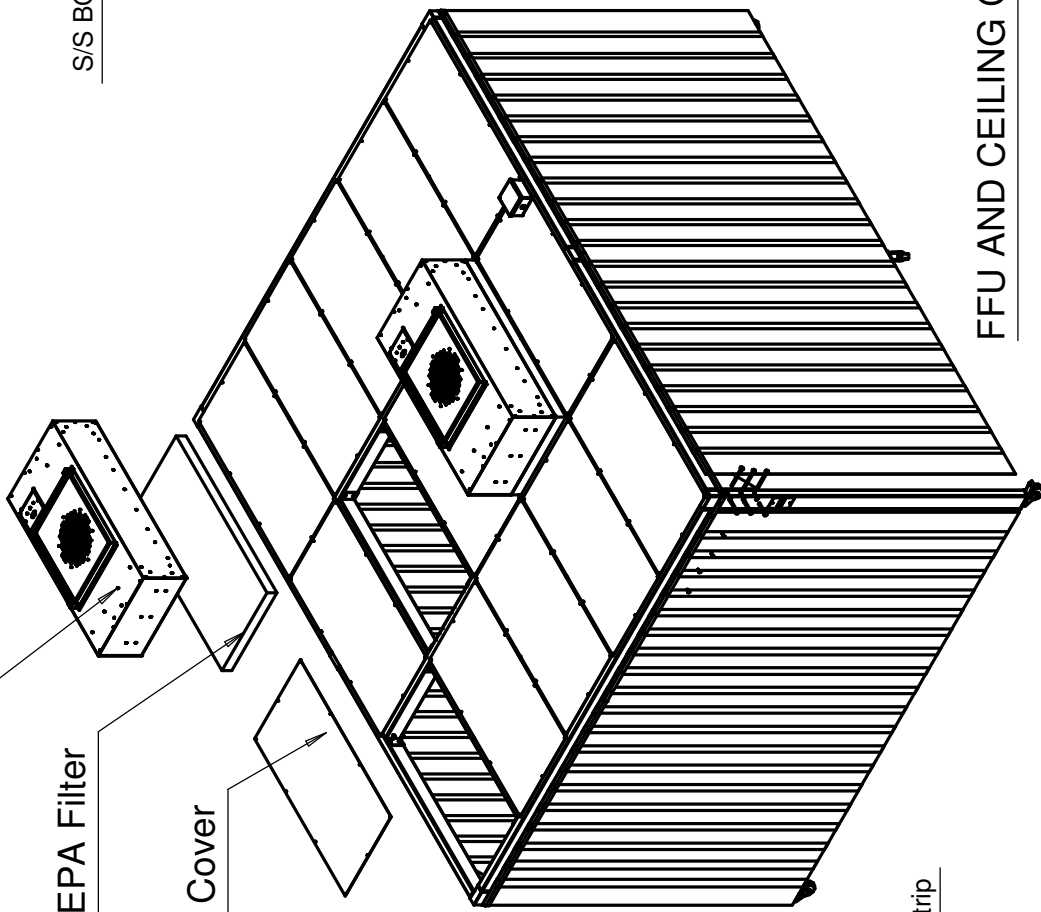
PLAN VIEW

"PLEASE READ DISCLAIMER SIGNATURE OF APPROVAL"
 Esco requires a signature of approval before we can proceed with design and fabrication. Carefully review the submittal package (project specifications and drawings) and sign below. Contact Esco immediately if there are any to or concerns about submittal package. Any revisions after receipt of the initial submittal package may result in a pricing change. Any revisions after the final approval will result in an additional charge.
 Customer Signature of Approval: _____

Part	Drawing number / Item reference	Part or assembly group name	Standard	Shape, Dimension Designation	Quantity	Qty
			THIRD ANGLE VIEW	DIMENSION, mm	SCALE	DATE
						2008-01-21
NOTE General Tolerances : Dimension 10' x 12' x 7' (Height) SC-10127-55d APPROVAL						
These drawings and specifications are the exclusive property of Esco. Issues in office conference and shall not, without the prior written permission of Esco, be reproduced.			CHECKED BY: _____ DESIGNED BY: _____ 2008-01-21 ling			
PAPER SIZE A3			Product: SFF Opacite (TM) SFF Wall Closure			
Project: SFF Opacite (TM) SFF Wall Closure			50 Class 7			



Fan Filter Unit



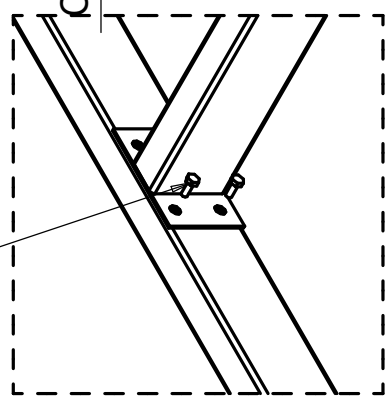
S/S BOLT M8X20

HEPA Filter

Ceiling Cover

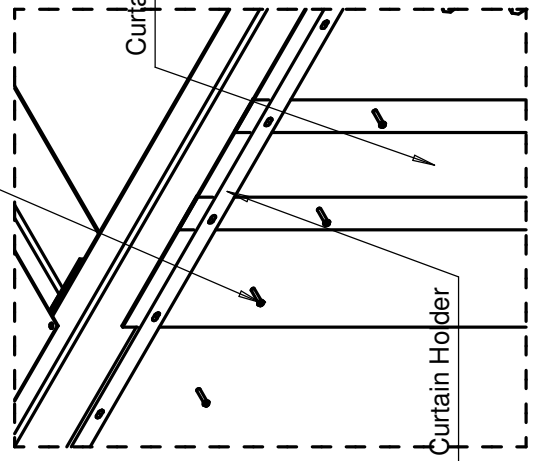
S/S BOLT M10X80

S/S BOLT M10X130

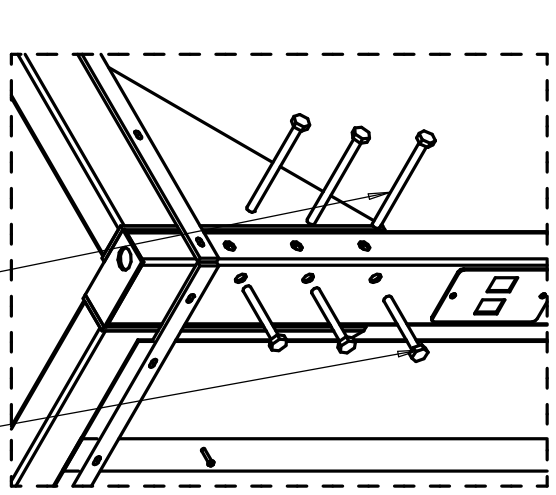


"T" CONNECTION DETAIL

PANHEAD SCREW M4X20



CURTAIN HOLDER CONNECTION DETAIL



CORNER CONNECTION DETAIL

FFU AND CEILING COVER CONNECTION DETAIL

"PLEASE READ DISCLAIMER SIGNATURE OF APPROVAL"
 Esco requires a signature of approval before we can proceed with design and fabrication. Carefully review the submittal package (project specifications and drawings) and sign below. Contact Esco immediately if there are any to or concerns about submittal package. Any revisions after receipt of the initial submittal package may result in a pricing change. Any revisions after the final approval will result in an additional charge.

Customer Signature of Approval:

Part	Drawing number / Item reference	Part or assembly group name	Standard	Shape, Dimension designation	Quantity	Qty
			THIRD ANGLE VIEW	DIMENSION 1 mm	SCALE 1/8" = 1"	DATE 2008-01-21
NOTE						
General Tolerances :						
ST/SC-10127-AG-5						
Dimension 10' x 12' x 7' (Height)						
SC10127-55F						
APPROVAL						
CHECKED BY			DESIGNED BY			DRAWN BY
			2008-01-21			
			ling			
Project: ST/SC-10127-AG-5						
Product: Self-Cleanable (SM) Split Wall Cleanroom						
PAPER SIZE A3						
 WORLDWIDE CLASS, WORLDWIDE						