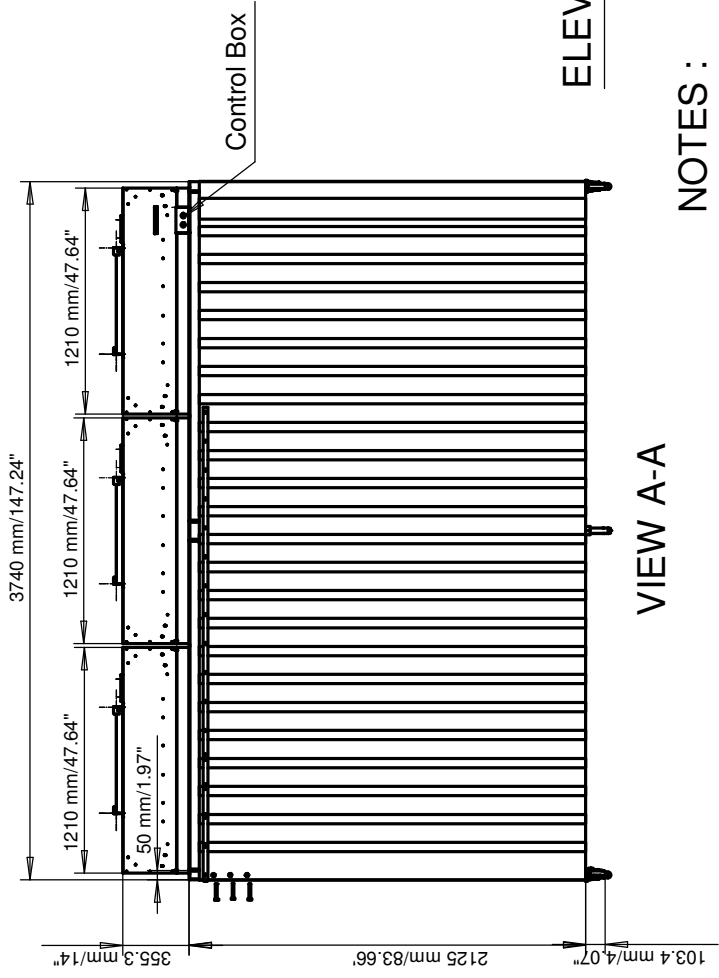


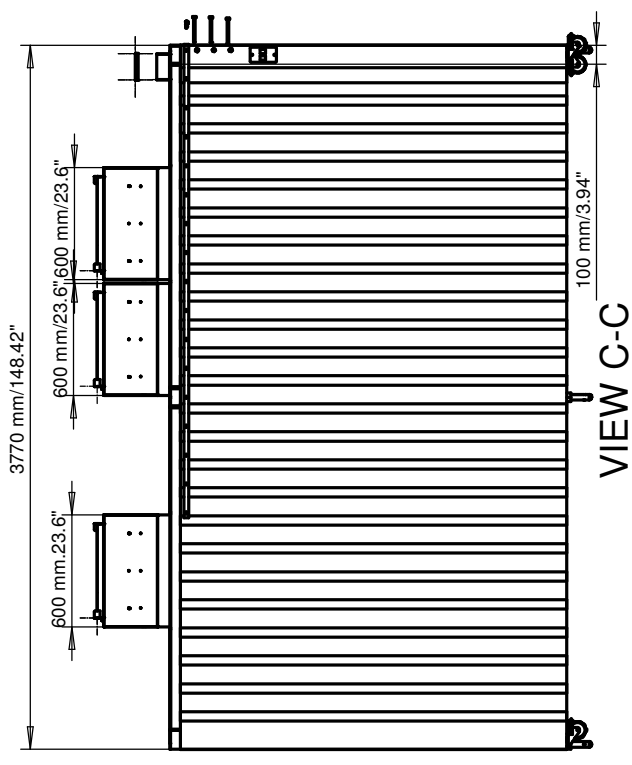
ISOMETRIC VIEW

"PLEASE READ DISCLAIMER SIGNATURE OF APPROVAL"
 Esco requires a signature of approval before we can proceed with design and fabrication. Carefully review the submittal package (project specifications and drawings) and sign below. Contact Esco immediately if there are any to or concerns about submittal package. Any revisions after receipt of the initial submittal package may result in a pricing change. Any revisions after the final approval will result in an additional charge.
 Customer Signature of Approval:

Part	Drawing number / Item reference	Part or assembly group name	Standard	Shape, Dimension Designation	Quality	Qty
			Dimension, mm	SCALE	1/16	DATE
NOTE						
General Tolerances :						
"These drawings and specifications are the exclusive property of Esco. Issue in strict confidence and shall not, without the prior written permission of Esco, be reproduced."						
APPROVAL			CHECKED BY	DESIGNED BY	DRAWN BY	
				ing		
STL/SC-13127-MK-5			Dimension 12' x 12' x 7" (Height)			
SC12127-45b						
PAPER SIZE			A3			
ESCO			WORLD CLASS WORLDWIDE			
Project: STL/SC-13127-MK-5			Product: Split cassette (DM Split Wall) Cleanroom			
			130 (Cant 1)			



ELEVATION VIEW

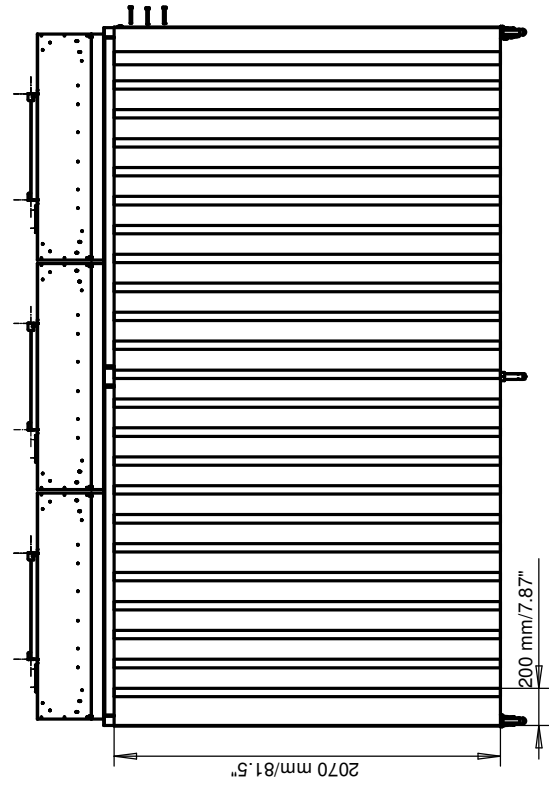


VIEW C-C

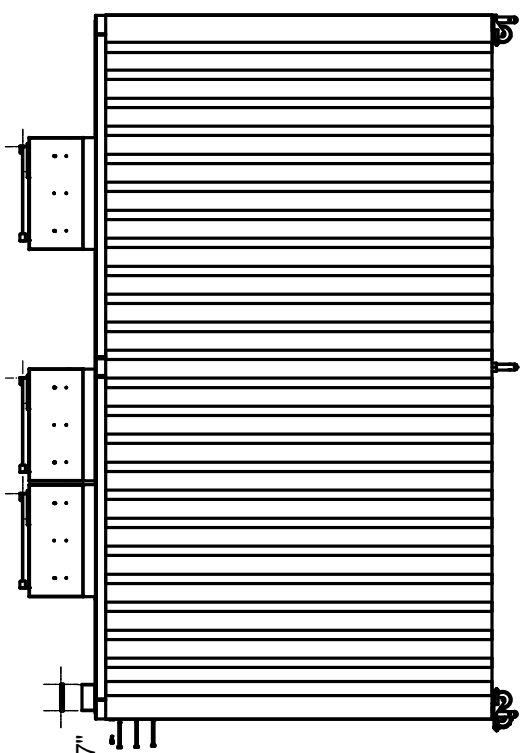
VIEW A-A

NOTES :

Curtain Dimension : 2070mm/81.5"x200mm/7.87"



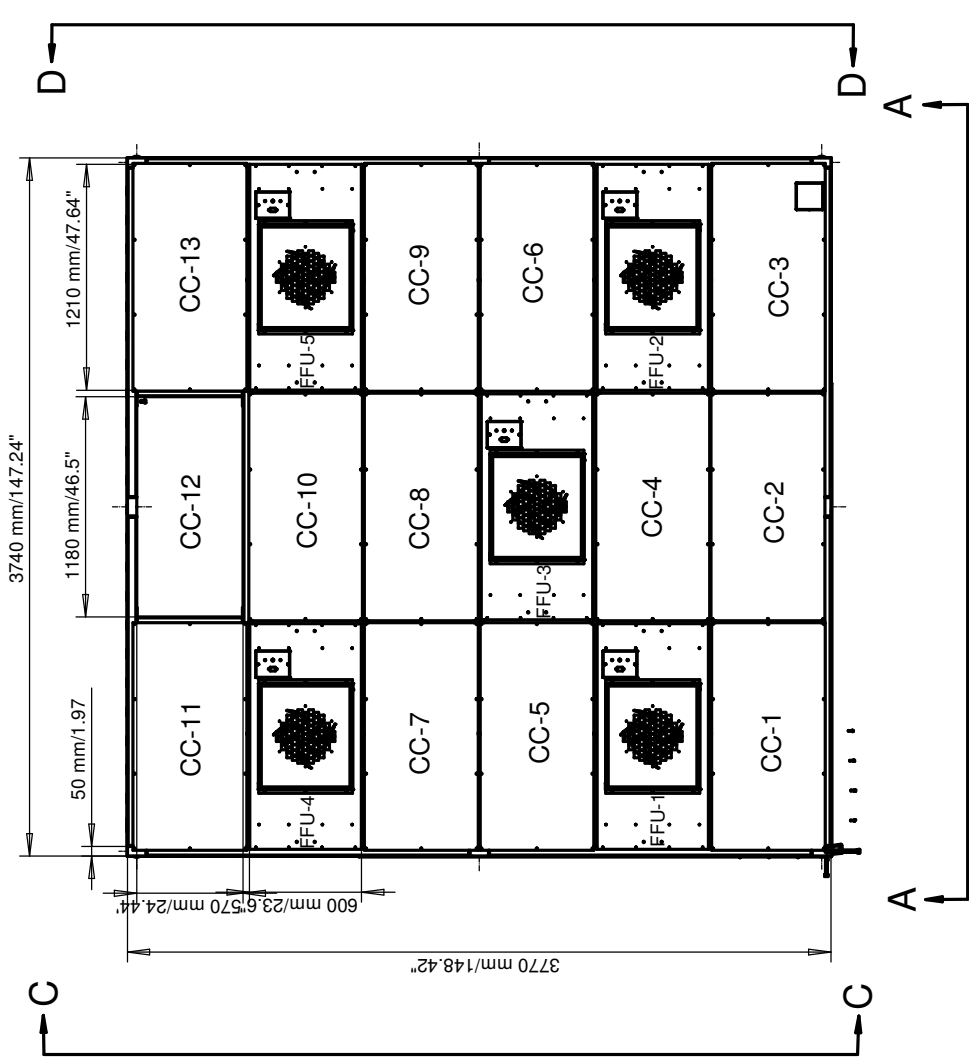
VIEW B-B



VIEW D-D

"PLEASE READ DISCLAIMER SIGNATURE OF APPROVAL"
 Esco requires a signature of approval before we can proceed with design and fabrication. Carefully review the submittal package (project specifications and drawings) and sign below. Contact Esco immediately if there are any to or concerns about submittal package. Any revisions after receipt of the initial submittal package may result in a pricing change. Any revisions after the final approval will result in an additional charge.
 Customer Signature of Approval:

Part	Drawing number Item reference	Part or assembly group name	Standard	Shape, Dimension Designation	Quality	Qty
			THIRD ANGLE VIEW	DIMENSION 1 mm	SCALE 1:15	DATE
NOTE						
General Tolerances :						
STL/SC - 12127 -M.3						
Dimension 12' x 12' x 7' (Height)						
SC12127-45d						
APPROVAL			CHECKED BY	DESIGNED BY	DRAWN BY	
				2008-07-10	ling	
"These drawings and specifications are the exclusive property of Esco, issued in strict confidence and shall not, without the prior written permission of Esco, be reproduced"						
PAPER SIZE			A3			
ESCO			WORLD CLASS WORKALWAYS			
Project: STL-SC-12127						
Product: Silt Depalt (TM) Silt Wall Filter						



NOTES :
ISO Class 6* - Class 1000
 (5) FFU 2'x4' AND HEPA 2'x4'

1. (FFU-1) Fan Filter Unit - 2'x4' and HEPA 2'x4'
2. (FFU-2) Fan Filter Unit - 2'x4' and HEPA 2'x4'
3. (FFU-3) Fan Filter Unit - 2'x4' and HEPA 2'x4'
4. (FFU-4) Fan Filter Unit - 2'x4' and HEPA 2'x4'
5. (FFU-5) Fan Filter Unit - 2'x4' and HEPA 2'x4'

(13) CEILING COVER

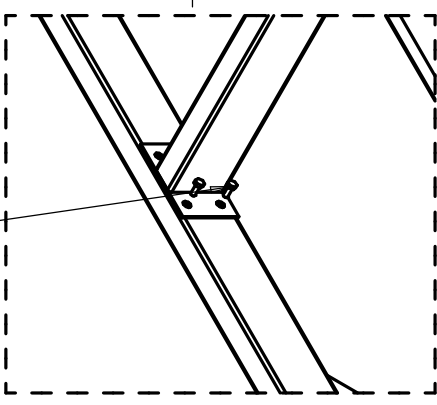
1. (CC-1) Ceiling Cover - 2'x4'
2. (CC-2) Ceiling Cover - 2'x4'
3. (CC-3) Ceiling Cover - 2'x4'
4. (CC-4) Ceiling Cover - 2'x4'
5. (CC-5) Ceiling Cover - 2'x4'
6. (CC-6) Ceiling Cover - 2'x4'
7. (CC-7) Ceiling Cover - 2'x4'
8. (CC-8) Ceiling Cover - 2'x4'
9. (CC-9) Ceiling Cover - 2'x4'
10. (CC-10) Ceiling Cover - 2'x4'
11. (CC-11) Ceiling Cover - 2'x4'
12. (CC-12) Ceiling Cover - 2'x4'
13. (CC-13) Ceiling Cover - 2'x4'

PLAN VIEW

"PLEASE READ DISCLAIMER SIGNATURE OF APPROVAL"
 Esco requires a signature of approval before we can proceed with design and fabrication. Carefully review the submittal package (project specifications and drawings) and sign below. Contact Esco immediately if there are any to or concerns about submittal package. Any revisions after receipt of the initial submittal package may result in a pricing change. Any revisions after the final approval will result in an additional charge.
 Customer Signature of Approval:

Part	Drawing number from reference	Part or assembly group name	Standard	Shape	Dimension Designation	Quality	Qty	
			THIRD ANGLE VIEW	DIMENSION, mm	SCALE	1:5	DATE	
NOTE								
General Tolerances :								
"These drawings and specifications are the exclusive property of Esco. Issues in office conference and shall not, without the prior written permission of Esco, be reproduced."								
PAPER SIZE A3			ESCO WORLD CLASS WORLDWIDE					
APPROVAL			CHECKED BY	DESIGNED BY	DRAWN BY			
				ling				
STL/SC-13127-MK.5			Dimension 12' x 12' 7" (Height)					
SC12127-45C								
Project: STL/SC-13127-MK.5			Product: Spill Capture (TM) Spill Wall (Cover)					50 Class 4

S/S BOLT M8X20

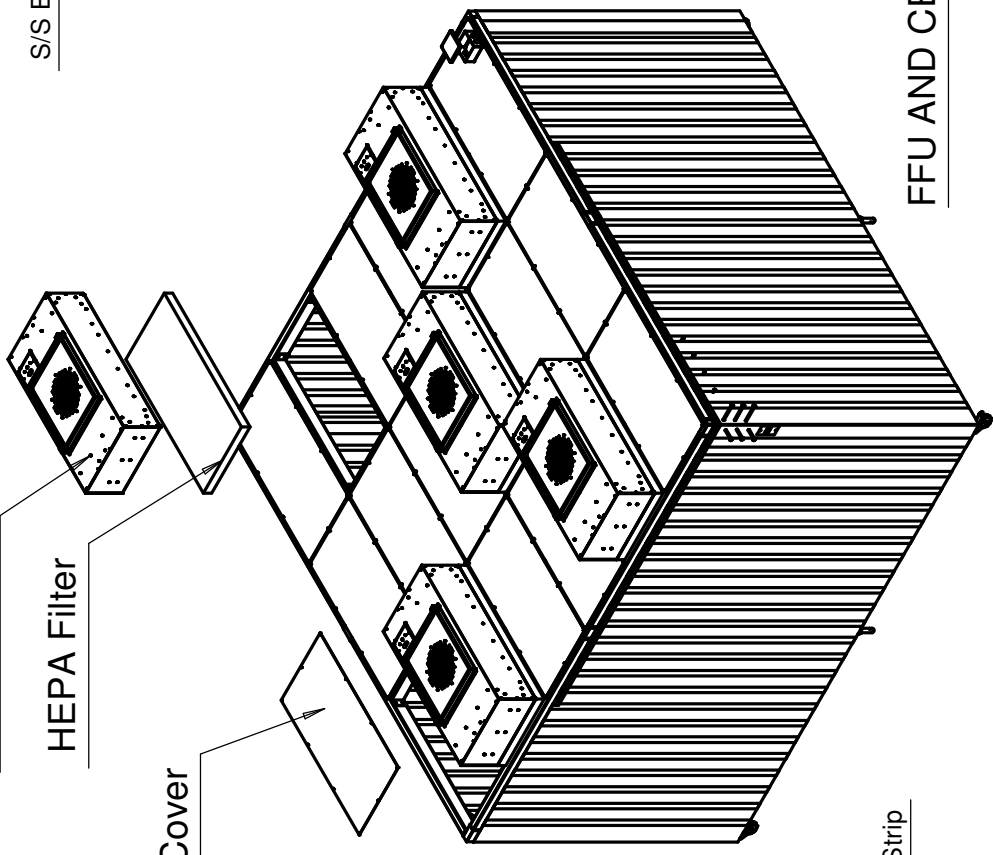


"T" CONNECTION DETAIL

Fan Filter unit

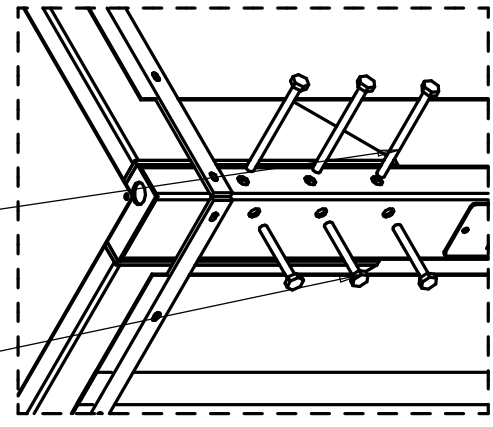
HEPA Filter

Ceiling Cover



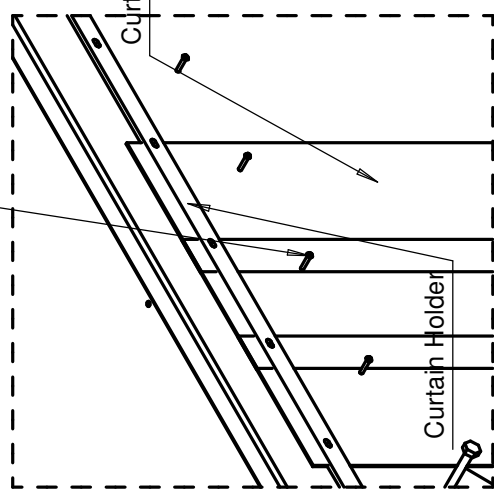
FFU AND CEILING CONNECTION DETAIL

S/S BOLT M10X80



CORNER CONNECTION DETAIL

PANHEAD SCREW M4X20



CURTAIN HOLDER CONNECTION DETAIL

"PLEASE READ DISCLAIMER SIGNATURE OF APPROVAL"
 Esco requires a signature of approval before we can proceed with design and fabrication. Carefully review the submittal package (project specifications and drawings) and sign below. Contact Esco immediately if there are any to or concerns about submittal package. Any revisions after receipt of the initial submittal package may result in a pricing change. Any revisions after the final approval will result in an additional charge.
 Customer Signature of Approval: _____

NOTE
 General Tolerances :

Part	Drawing number from reference	Part or assembly group name	Standard	Shape, Dimension Designation	Quality	Dt.
			THIRD ANGLE VIEW	DIMENSION	SCALE	DATE
STLAS-12127M-5 Dimension 12' x 12' x 7' (height) SC12127-45a						
APPROVAL			CHECKED BY	DESIGNED BY	DRAWN BY	
				ling		
PAPER SIZE A3 ESCO WORLD CLASS WORLDWIDE						
Project: STLAS-12127-M-5 Product: Self-Cleaning (MS) Spill Wall (Louver)						