

ISOMETRIC VIEW

"PLEASE READ DISCLAIMER SIGNATURE OF APPROVAL"

Esco requires a signature of approval before we can proceed with design and fabrication. Carefully review the submittal package (project specifications and drawings) and sign below. Contact Esco immediately if there are any to or concerns about submittal package. Any revisions after receipt of the initial submittal package may result in a pricing change. Any revisions after the final approval will result in an additional charge.

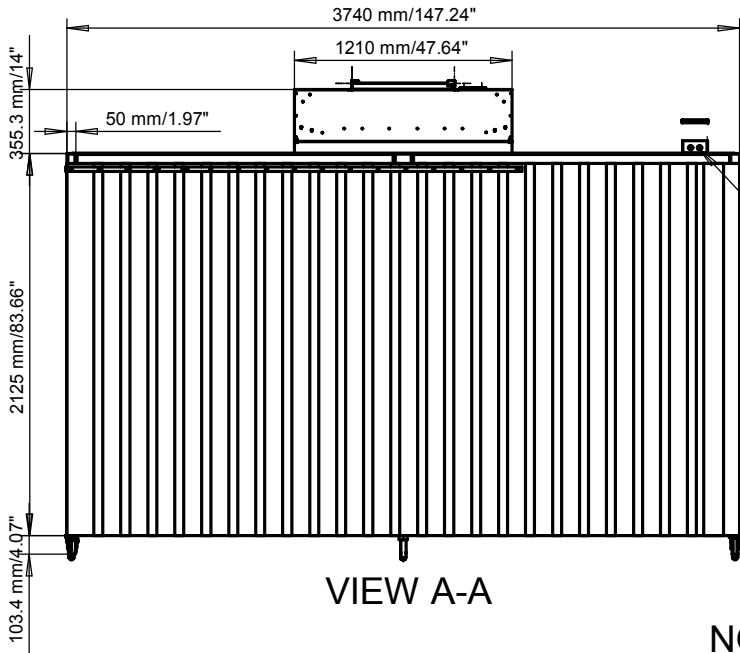
Customer Signature of Approval:

Part	Drawing number	Item reference	Part or assembly group name	Standard	Shape, Dimension Designation	Quality	Qty
				THIRD ANGLE VIEW	DIMENSION ± mm	SCALE	DATE
<p>NOTE</p> <p>General Tolerances :</p> <p>"These drawings and specifications are the exclusive property of Esco, Inc. based in written conference and shall not, without the prior written permission of Esco, be reproduced"</p>							
<p>STL/SC-12127-AG-5</p> <p>Dimension 12' x 12' x 7' (Height)</p> <p>SC12127-55b</p>				<p>CHECKED BY</p> <p>DESIGNED BY</p> <p>2008-07-10</p> <p>ling</p>			
<p>APPROVAL</p>				<p>DRAWN BY</p>			
<p>Project: STL/SC-12127-AG-5</p>				<p>Product: Split Depalle (TM) Split Wall Closure</p>			



PAPER SIZE
A3

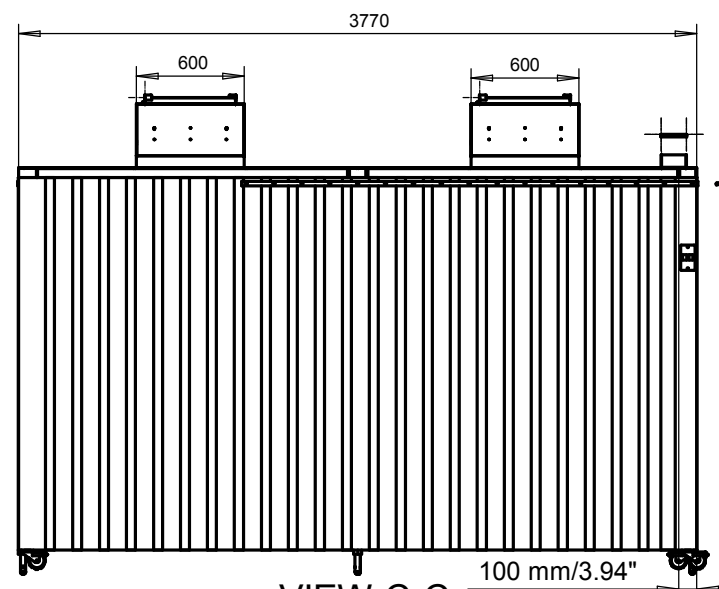




VIEW A-A

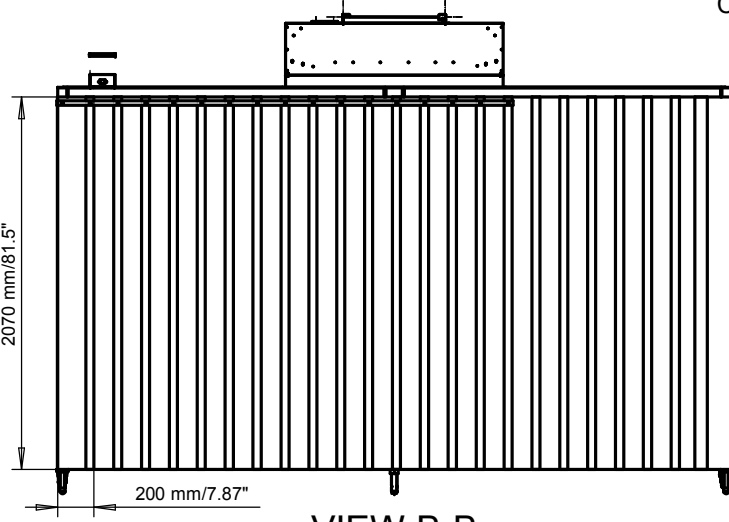
Control Box

ELEVATION VIEW

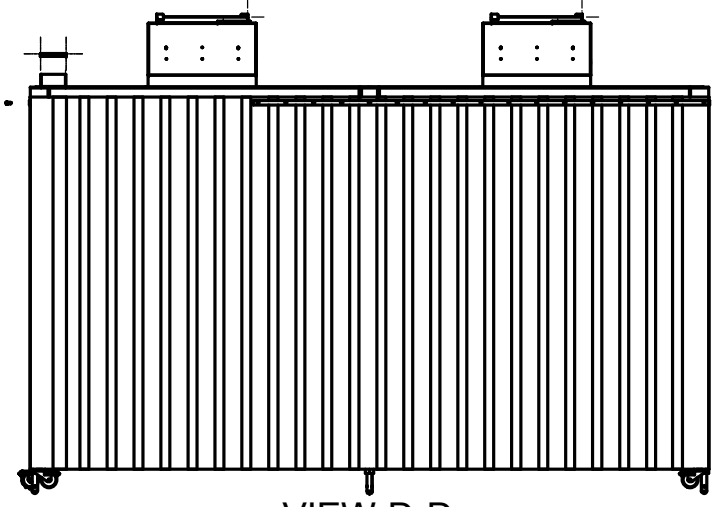


VIEW C-C

NOTES :
Curtain Dimension :2070mm/81.5"x200mm/7.87"



VIEW B-B



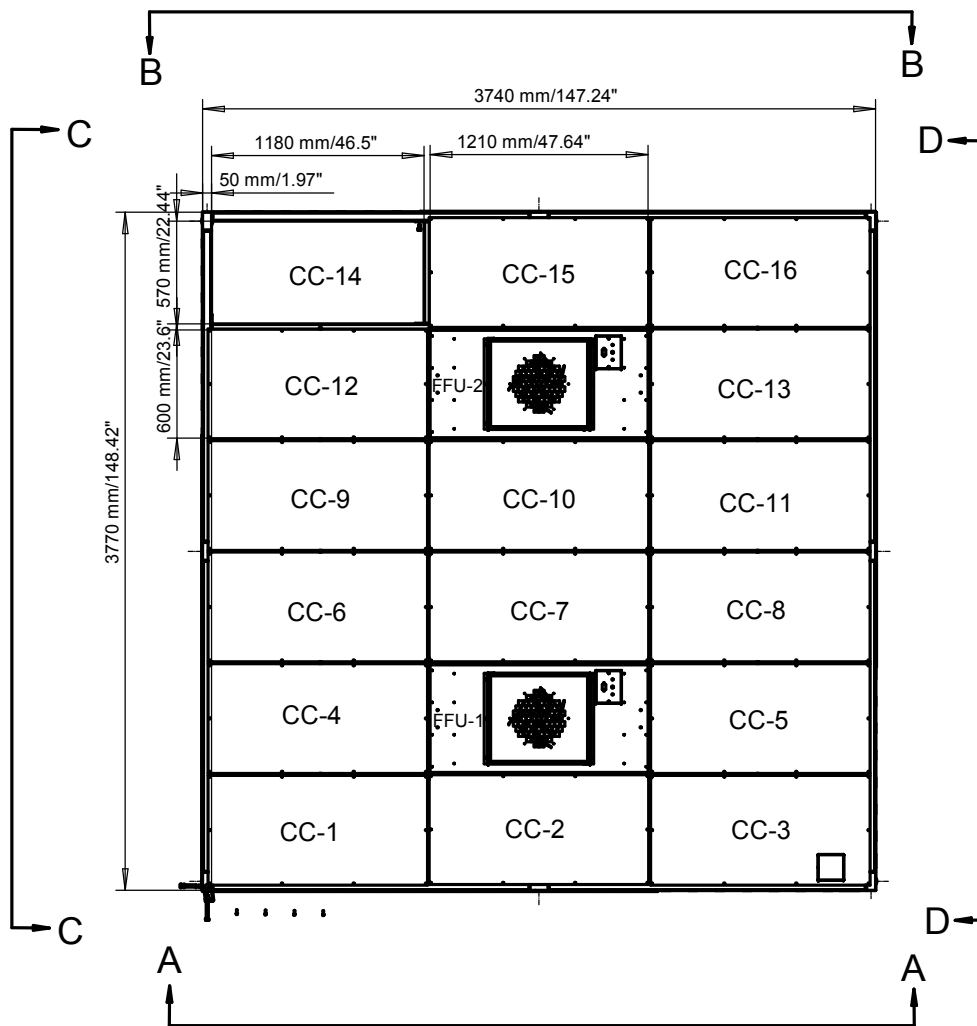
VIEW D-D

"PLEASE READ DISCLAIMER SIGNATURE OF APPROVAL"

Esco requires a signature of approval before we can proceed with design and fabrication. Carefully review the submittal package (project specifications and drawings) and sign below. Contact Esco immediately if there are any to or concerns about submittal package. Any revisions after receipt of the initial submittal package may result in a pricing change. Any revisions after the final approval will result in an additional charge.

Customer Signature of Approval:

Part	Drawing number item reference	Part or assembly group name	Standard	Shape, Dimension Designation	Quality	Qty
NOTE			THIRD ANGLE VIEW	DIMENSION : mm	SCALE 1:25	DATE
General Tolerances :			STL/SC-12127-46.5			
"These drawings and specifications are the exclusive property of Esco. Issued in strict confidence and shall not, without the prior written permission of Esco, be reproduced"			Dimension 12' x12' x7' (Height)			
Customer Signature of Approval:			SC12127-55d			
APPROVAL		CHECKED BY	DESIGNED BY	DRAWN BY		
				ling		
PAPER SIZE A3			ESCO WORLD CLASS, WORLDWIDE.		Project: STL/SC-12127-46.5	
			Product: Self Capsule (TM) Self Hall Clearroom		ISO Class 7	



NOTES :

ISO Class 7* - Class 10.000

(2) FFU 2'x4' And HEPA 2'x4'

1. (FFU-1) Fan Filter Unit - 2'x4' and HEPA 2'x4'
2. (FFU-2) Fan Filter Unit - 2'x4' and HEPA 2'x4'

(16) CEILING COVER

1. (CC-1) Ceiling Cover - 2'x4'
2. (CC-2) Ceiling Cover - 2'x4'
3. (CC-3) Ceiling Cover - 2'x4'
4. (CC-4) Ceiling Cover - 2'x4'
5. (CC-5) Ceiling Cover - 2'x4'
6. (CC-6) Ceiling Cover - 2'x4'
7. (CC-7) Ceiling Cover - 2'x4'
8. (CC-8) Ceiling Cover - 2'x4'
9. (CC-9) Ceiling Cover - 2'x4'
10. (CC-10) Ceiling Cover - 2'x4'
11. (CC-11) Ceiling Cover - 2'x4'
12. (CC-12) Ceiling Cover - 2'x4'
13. (CC-13) Ceiling Cover - 2'x4'
14. (CC-14) Ceiling Cover - 2'x4'
15. (CC-15) Ceiling Cover - 2'x4'
16. (CC-16) Ceiling Cover - 2'x4'

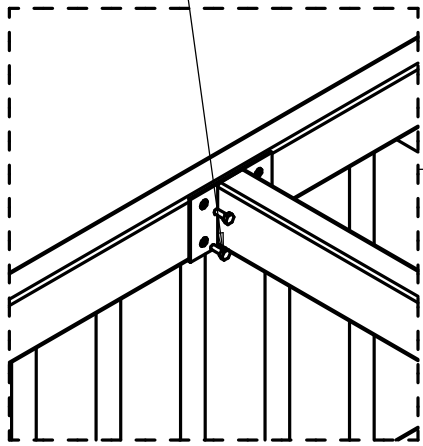
"PLEASE READ DISCLAIMER SIGNATURE OF APPROVAL"

Esco requires a signature of approval before we can proceed with design and fabrication. Carefully review the submittal package (project specifications and drawings) and sign below. Contact Esco immediately if there are any to or concerns about submittal package. Any revisions after receipt of the initial submittal package may result in a pricing change. Any revisions after the final approval will result in an additional charge.

Customer Signature of Approval:

Part	Drawing number item reference	Part or assembly group name	Standard	Shape, Dimension Designation	Quality	Qty
NOTE			THIRD ANGLE VIEW	DIMENSION : mm	SCALE 1:25	DATE
General Tolerances :			STL/SC-12127-46.5			
			Dimension 12' x 12' x 7' (Height)			
			SC12127-55c			
APPROVAL		CHECKED BY	DESIGNED BY	DRAWN BY		
				ling		
PAPER SIZE A3			 WORLD CLASS, WORLDWIDE.		Project: STL/SC-12127-46.5	
			Product: Soft Capsule (TM) Soft Wall Cleanroom		ISO Class 7	

S/S BOLT M8X20

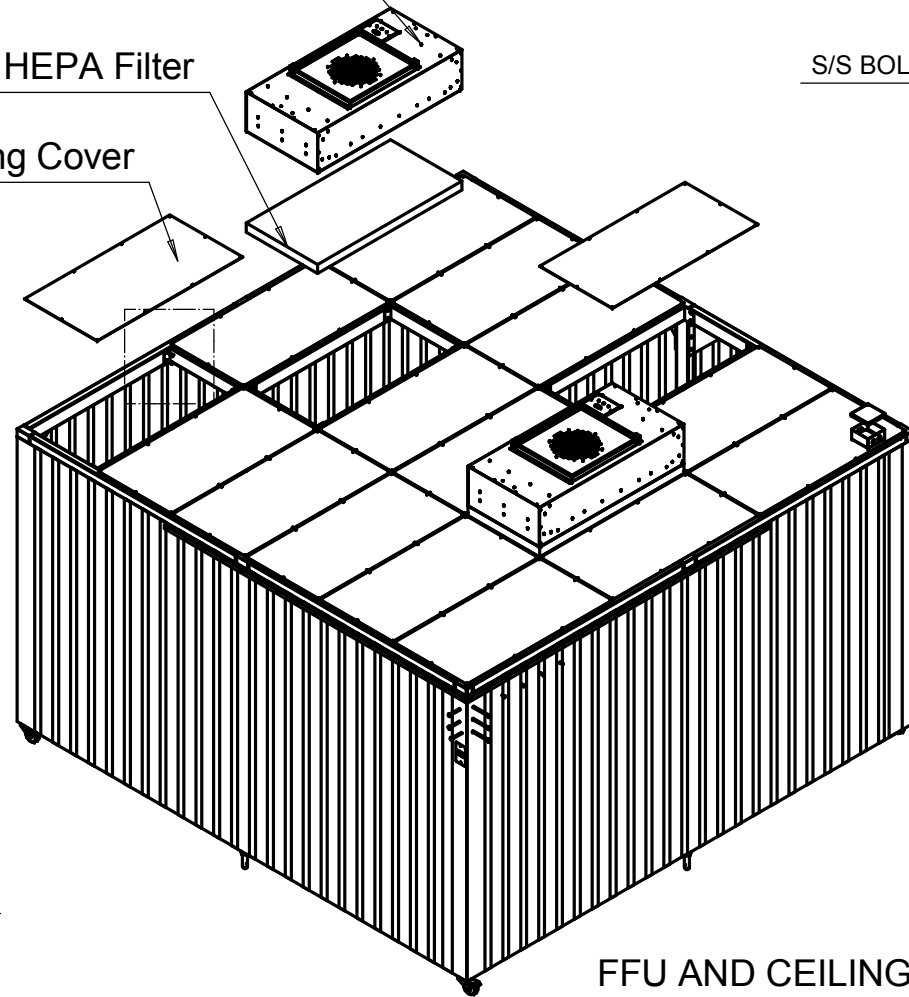


"T" CONNECTION DETAIL

Fan Filter Unit

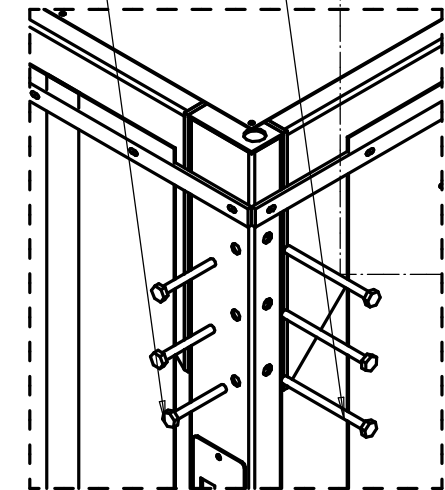
HEPA Filter

Ceiling Cover



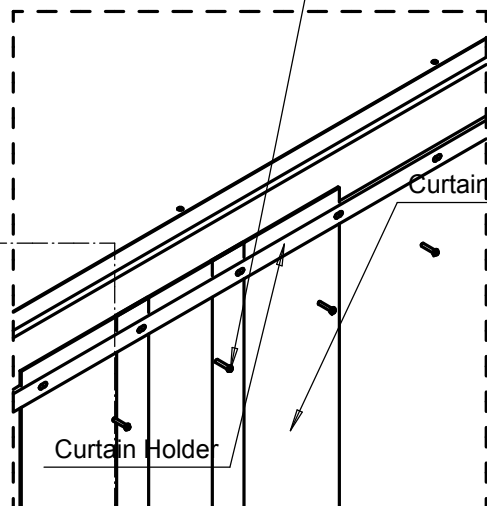
S/S BOLT M10X80

S/S BOLT M10X130



CORNER CONNECTION DETAIL

PANHEAD SCREW M4X20



CURTAIN HOLDER CONNECTION DETAIL

FFU AND CEILING COVER CONNECTION DETAIL

"PLEASE READ DISCLAIMER SIGNATURE OF APPROVAL"
 Esco requires a signature of approval before we can proceed with design and fabrication. Carefully review the submittal package (project specifications and drawings) and sign below. Contact Esco immediately if there are any to or concerns about submittal package. Any revisions after receipt of the initial submittal package may result in a pricing change. Any revisions after the final approval will result in an additional charge.

Customer Signature of Approval:

Part	Drawing number item reference	Part or assembly group name	Standard	Shape, Dimension Designation	Quality	Qty
NOTE			THIRD ANGLE VIEW	DIMENSION : mm	SCALE 1:25	DATE
General Tolerances :			STL/SC-12127-46.5			
These drawings and specifications are the exclusive property of Esco. Issued in strict confidence and shall not, without the prior written permission of Esco, be reproduced			Dimension 12' x 12' x 7' (Height)			
			SC12127-55e			
APPROVAL	CHECKED BY	DESIGNED BY	DRAWN BY			
			ling			
PAPER SIZE A3			ESCO WORLD CLASS, WORLDWIDE.			
Project: STL/SC-12127-46.5			Product: Soft Capsule (TM) Soft Hall Classroom			ISO Class 7