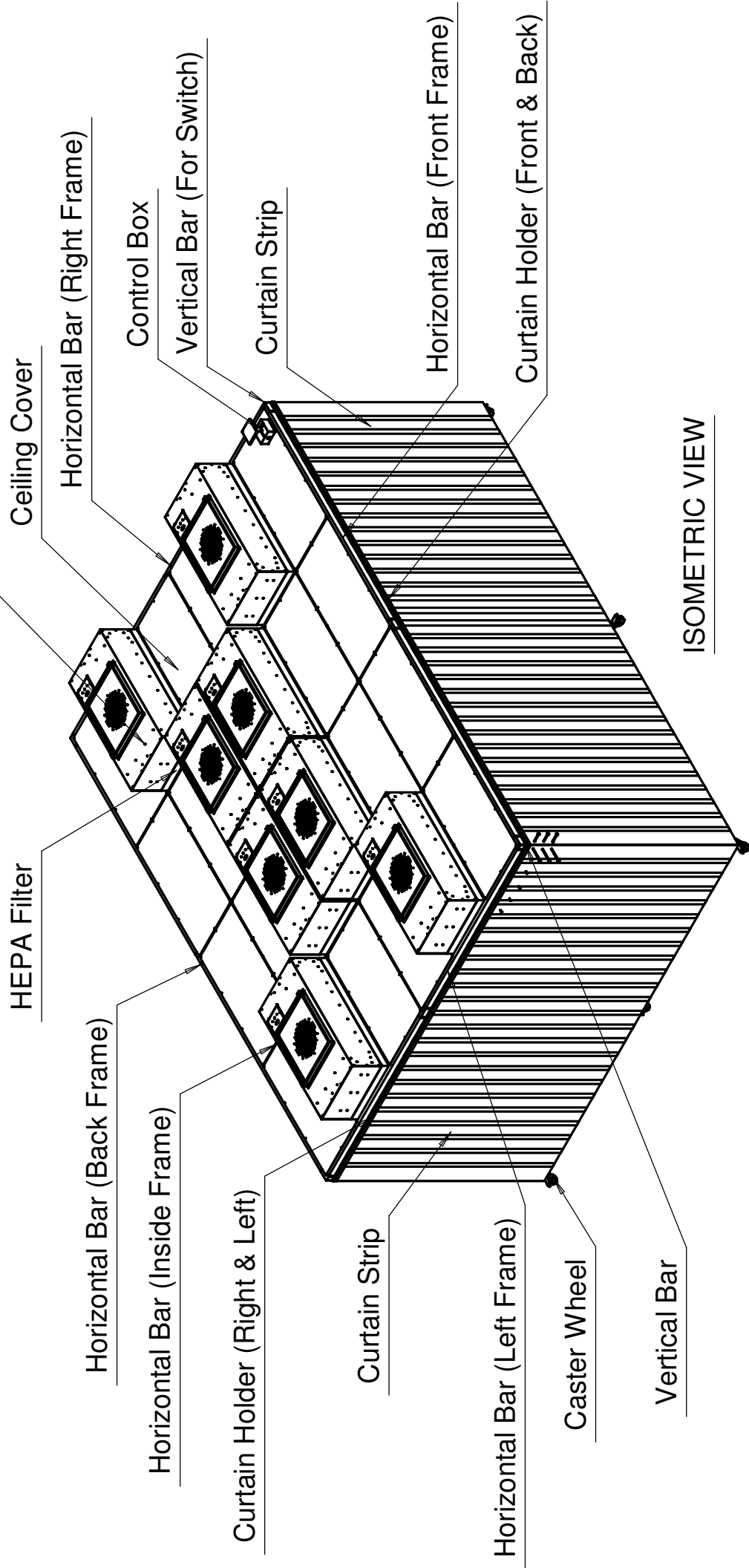


Fan Filter Unit



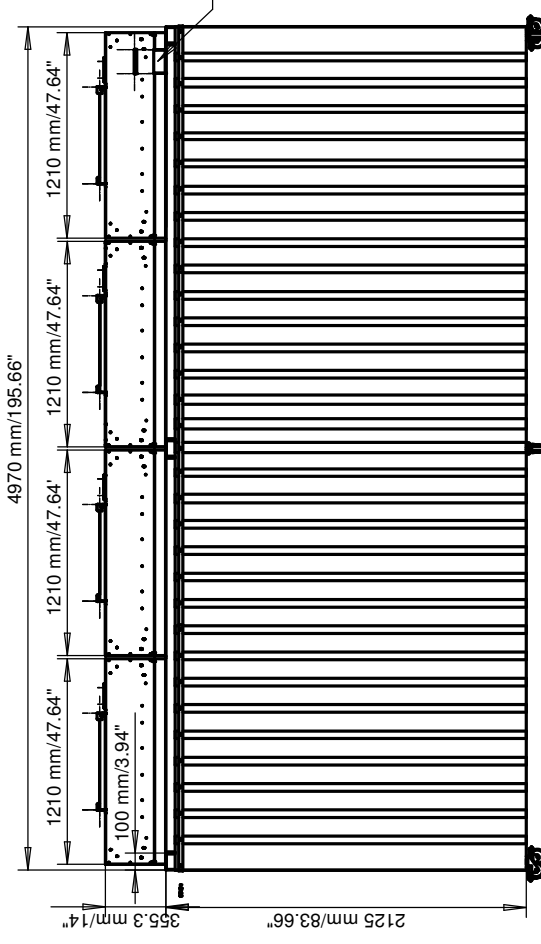
ISOMETRIC VIEW

"PLEASE READ DISCLAIMER SIGNATURE OF APPROVAL"
 Esco requires a signature of approval before we can proceed with design and fabrication. Carefully review the submittal package (project specifications and drawings) and sign below. Contact Esco immediately if there are any to or concerns about submittal package.
 Any revisions after receipt of the initial submittal package may result in a pricing change. Any revisions after the final approval will result in an additional charge.
 Customer Signature of Approval:

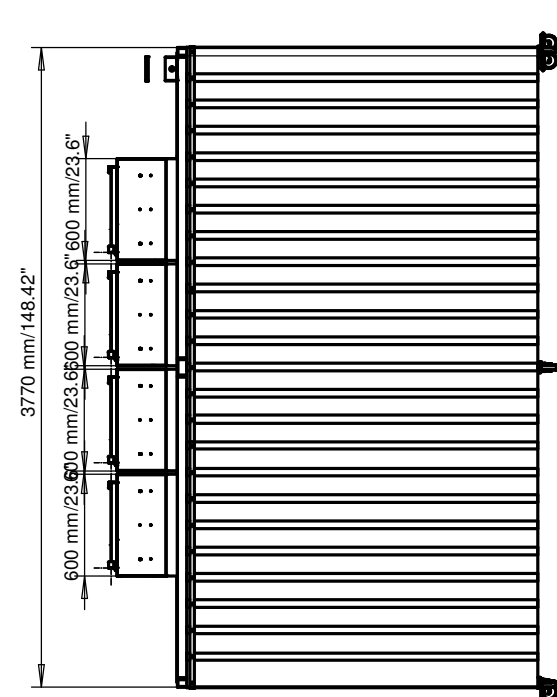
Part	Drawing number from reference	Part or assembly group name	Standard	Shape, Dimension	Designation	Quantity	Qty
			mm	SCALE	1:15	DATE	2007-10-27
NOTE							
General Tolerances :							
*These drawings and specifications are the exclusive property of Esco. Issue in strict confidence and shall not, without the prior written permission of Esco, be reproduced.							
STL/SC-12167-MK-5							
Dimension 12' x 16' x 7' (Height)							
SC12167_FAC							
APPROVAL							
CHECKED BY				DESIGNED BY			
				2007-10-27			
				ling			
				DRAWN BY			
				Project: STL/SC-12167-MK-5			
				Product: Split Casette (DM Split Wall) Casework			
				SQ: Unit 1			

PAPER SIZE
A3

WORLD CLASS. WORLDWIDE.

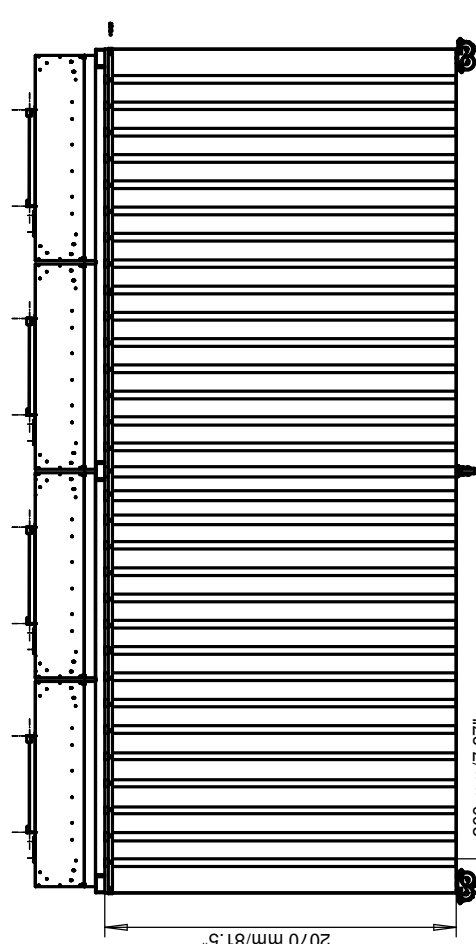


ELEVATION VIEW

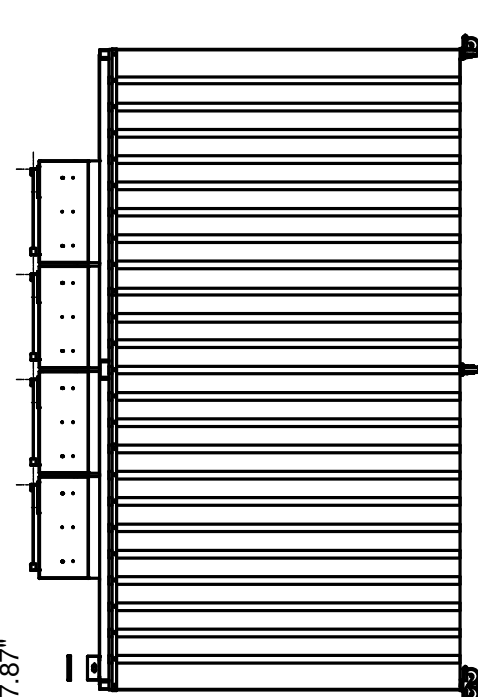


VIEW C-C

NOTES :
Curtain Dimension : 2070mm/81.5"x200mm/7.87"



VIEW A-A

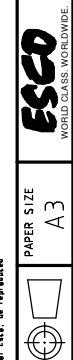


VIEW D-D

"PLEASE READ DISCLAIMER SIGNATURE OF APPROVAL"
Esco requires a signature of approval before we can proceed with design and fabrication. Carefully review the submittal package (project specifications and drawings) and sign below. Contact Esco immediately if there are any to or concerns about submittal package. Any revisions after receipt of the initial submittal package may result in a pricing change. Any revisions after the final approval will result in an additional charge.
Customer Signature of Approval:

VIEW B-B

Part	Drawing number / Item reference	Part or assembly group name	Standard	Shape, Dimension Designation	Quality	Qty
			THIRD ANGLE VIEW	SCALE 1:15	DATE	2007-10-27
NOTE						
General Tolerances :						
STL/SC-12167-MK-5						
Dimension 12' x 16' x 7' (Height)						
SC12167_FA0						
APPROVAL			CHECKED BY	DESIGNED BY	DRAWN BY	
				2007-10-27	ling	
Project: STL/SC-12167-MK-5			Product: Split Operate (TM) Split Wall (Coverless)			

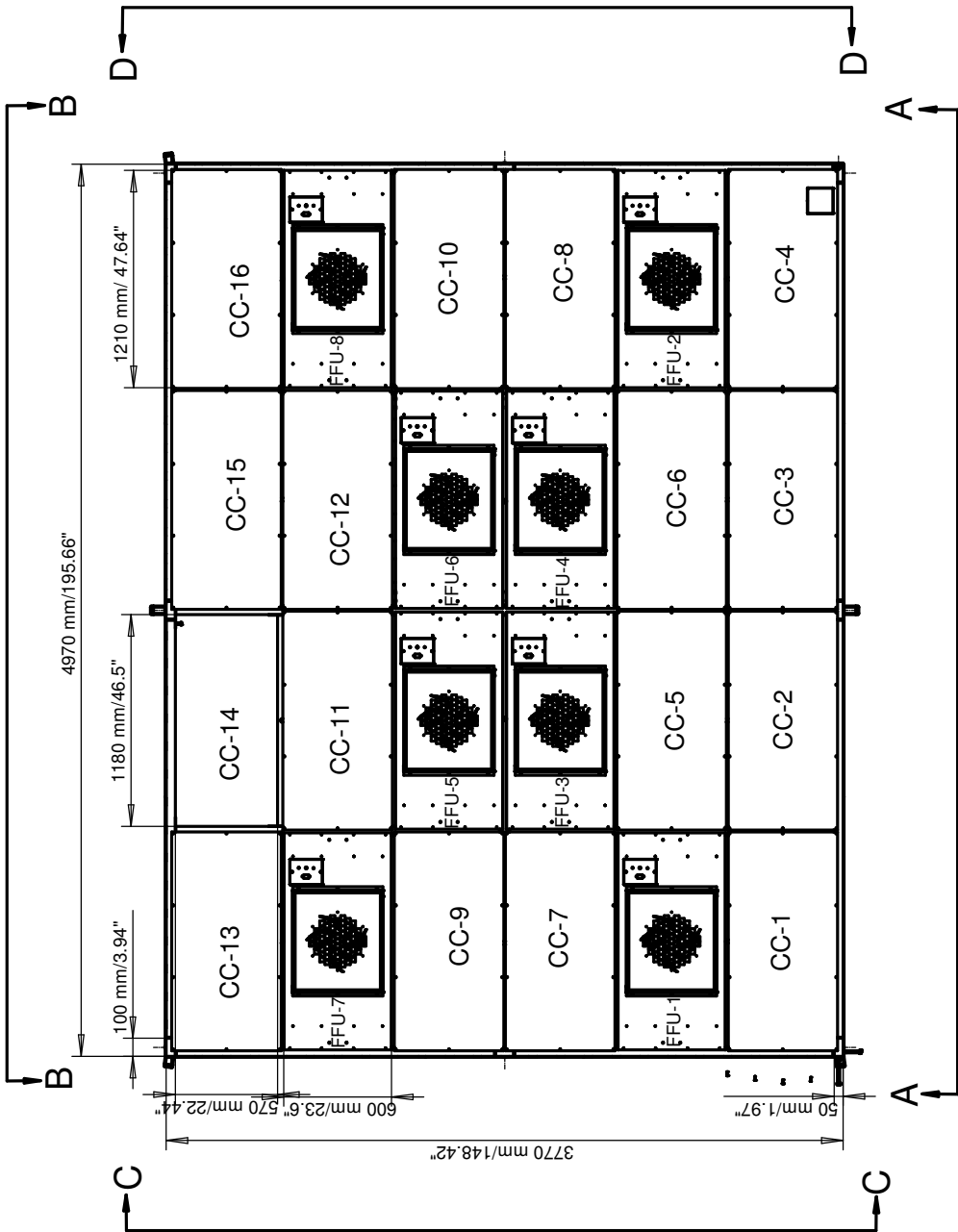


NOTES :
ISO Class 6* - Class 1000

- (8) FFU 2'x4' AND HEPA 2'x4'
- 1. (FFU-1) Fan Filter Unit - 2'x4' and HEPA 2'x4'
- 2. (FFU-2) Fan Filter Unit - 2'x4' and HEPA 2'x4'
- 3. (FFU-3) Fan Filter Unit - 2'x4' and HEPA 2'x4'
- 4. (FFU-4) Fan Filter Unit - 2'x4' and HEPA 2'x4'
- 5. (FFU-5) Fan Filter Unit - 2'x4' and HEPA 2'x4'
- 6. (FFU-6) Fan Filter Unit - 2'x4' and HEPA 2'x4'
- 7. (FFU-7) Fan Filter Unit - 2'x4' and HEPA 2'x4'
- 8. (FFU-8) Fan Filter Unit - 2'x4' and HEPA 2'x4'

(16) CEILING COVER

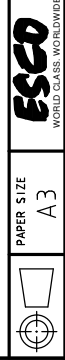
- 1. (CC-1) Ceiling Cover - 2'x4'
- 2. (CC-2) Ceiling Cover - 2'x4'
- 3. (CC-3) Ceiling Cover - 2'x4'
- 4. (CC-4) Ceiling Cover - 2'x4'
- 5. (CC-5) Ceiling Cover - 2'x4'
- 6. (CC-6) Ceiling Cover - 2'x4'
- 7. (CC-7) Ceiling Cover - 2'x4'
- 8. (CC-8) Ceiling Cover - 2'x4'
- 9. (CC-9) Ceiling Cover - 2'x4'
- 10. (CC-10) Ceiling Cover - 2'x4'
- 11. (CC-11) Ceiling Cover - 2'x4'
- 12. (CC-12) Ceiling Cover - 2'x4'
- 13. (CC-13) Ceiling Cover - 2'x4'
- 14. (CC-14) Ceiling Cover - 2'x4'
- 15. (CC-15) Ceiling Cover - 2'x4'
- 16. (CC-16) Ceiling Cover - 2'x4'



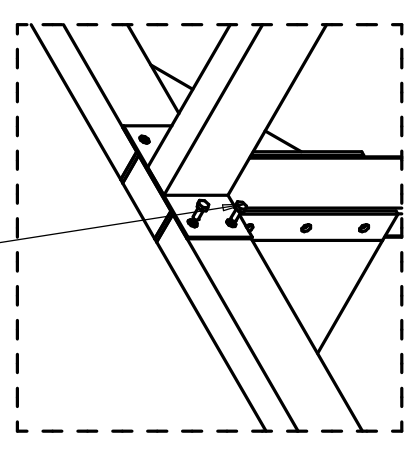
PLAN VIEW

"PLEASE READ DISCLAIMER SIGNATURE OF APPROVAL"
 Esco requires a signature of approval before we can proceed with design and fabrication. Carefully review the submittal package (project specifications and drawings) and sign below. Contact Esco immediately if there are any concerns about submittal package. Any revisions after receipt of the initial submittal package may result in a pricing change. Any revisions after the final approval will result in an additional charge.
 Customer Signature of Approval: _____

Part	Drawing number from reference	Part or assembly group name	Standard	Shape, Dimension Designation	Qty
			THIRD ANGLE VIEW	SCALE 1:15	DATE 2007-10-27
NOTE					
General Tolerances :					
STL/SC-12167-NK-5					
Dimension 12' x 16' x 7' (Height)					
SC12167_FAD					
APPROVAL	CHECKED BY	DESIGNED BY	DRAWN BY		
		2007-10-27	ling		
Product: STL/SC-12167-NK-5					
Product: STL/SC-12167-NK-5					



S/S BOLT M8X20

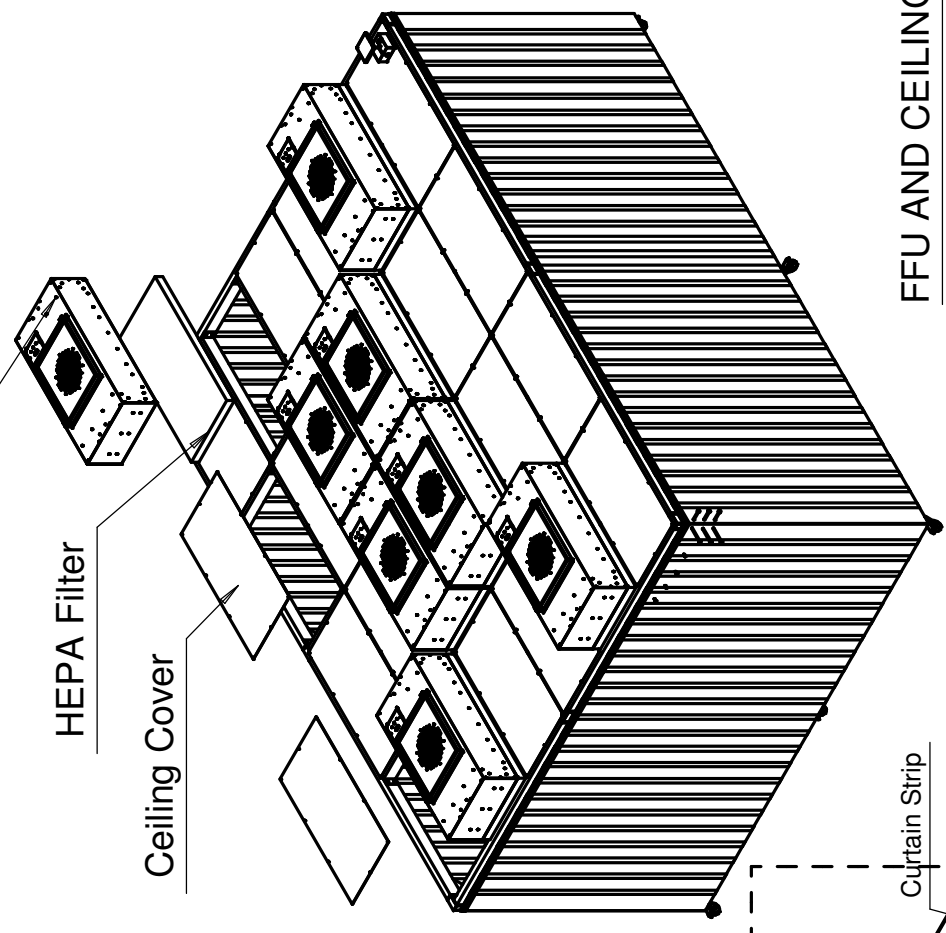


"T" CONNECTION DETAIL

Fan Filter Unit

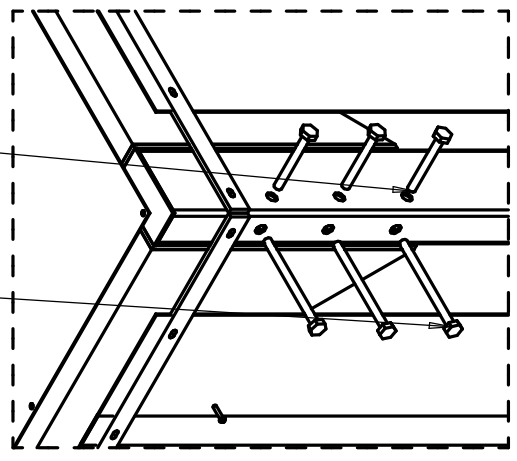
HEPA Filter

Ceiling Cover



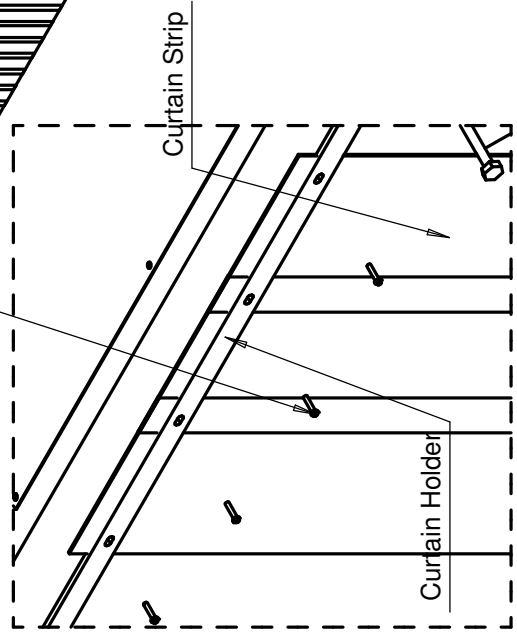
FFU AND CEILING COVER CONNECTION DETAIL

S/S BOLT M10X130



CORNER CONNECTION DETAIL

PANHEAD SCREW M4X20



CURTAIN HOLDER CONNECTION DETAIL

"PLEASE READ DISCLAIMER SIGNATURE OF APPROVAL"
 Esco requires a signature of approval before we can proceed with design and fabrication. Carefully review the submittal package (project specifications and drawings) and sign below. Contact Esco immediately if there are any to or concerns about submittal package. Any revisions after receipt of the initial submittal package may result in a pricing change. Any revisions after the final approval will result in an additional charge.
 Customer Signature of Approval:

NOTE

General Tolerances :

Part	Parting number / Item reference	Part or assembly group name	Standard	Shape, Dimension Designation	Quantity	Qty
			DIMENSION : mm	SCALE : 1:15	DATE : 2007-10-27	
			STL/SC-12167-M.5			
			Dimension 12' x 16' x 7' (Height)			
			SC12167_FAF			

PAPER SIZE
A3



WORLD CLASS WORKFORCE

APPROVAL	CHECKED BY	DESIGNED BY	DRAWN BY
		2007-10-27	ling