

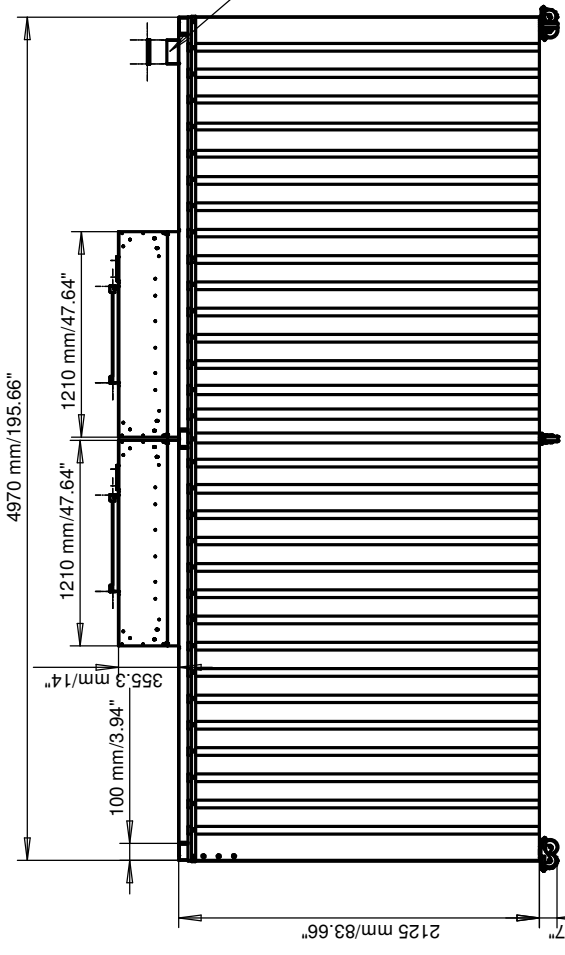
ISOMETRIC VIEW

"PLEASE READ DISCLAIMER SIGNATURE OF APPROVAL"
 Esco requires a signature of approval before we can proceed with design and fabrication. Carefully review the submittal package (project specifications and drawings) and sign below. Contact Esco immediately if there are any to or concerns about submittal package. Any revisions after receipt of the initial submittal package may result in a pricing change. Any revisions after the final approval will result in an additional charge.

Customer Signature of Approval:

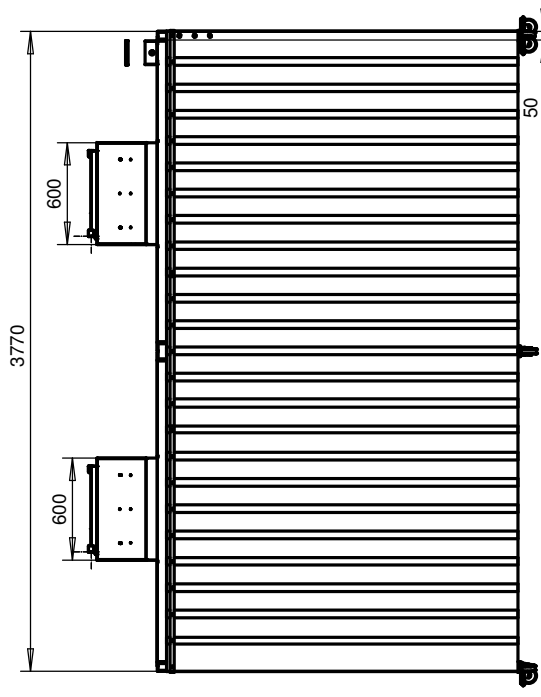
Part	Drawing number from reference	Part or assembly group name	Standard	Shape, Dimension Designation	Quantity	Qty
			THIRD ANGLE VIEW	DIMENSION, mm	SCALE	DATE
					1:15	2007-10-27
<p>NOTE General Tolerances :</p> <p>STL/SC-12167-MS.5 Dimension 12" x 16" x 7" (Height) SC12167-55C</p>						
APPROVAL			CHECKED BY	DESIGNED BY	DRAWN BY	
				2007-10-27	ling	
<p>*These drawings and specifications are the exclusive property of Esco. Issues in office conference and shall not, without the prior written permission of Esco, be reproduced.</p>						
PAPER SIZE			A3			
Project: STL/SC-12167-MS.5			Product: Split Openair DM Split Wall Cleanroom			
Project: STL/SC-12167-MS.5			50 Lines 7			





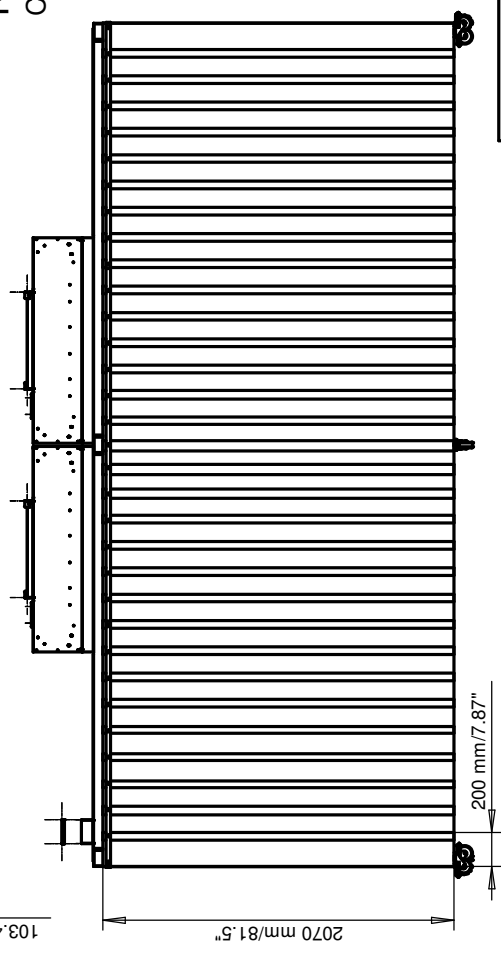
Control Box

ELEVATION VIEW

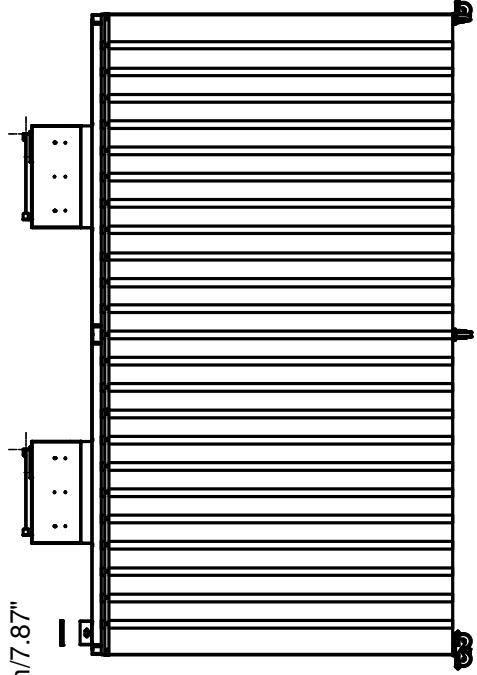


VIEW C-C

NOTES :
Curtain Dimension :2070mm/81.5"x200mm/7.87"



VIEW B-B



VIEW D-D

"PLEASE READ DISCLAIMER SIGNATURE OF APPROVAL"
Esco requires a signature of approval before we can proceed with design and fabrication. Carefully review the submittal package (project specifications and drawings) and sign below. Contact Esco immediately if there are any to or concerns about submittal package. Any revisions after receipt of the initial submittal package may result in a pricing change. Any revisions after the final approval will result in an additional charge.
Customer Signature of Approval:

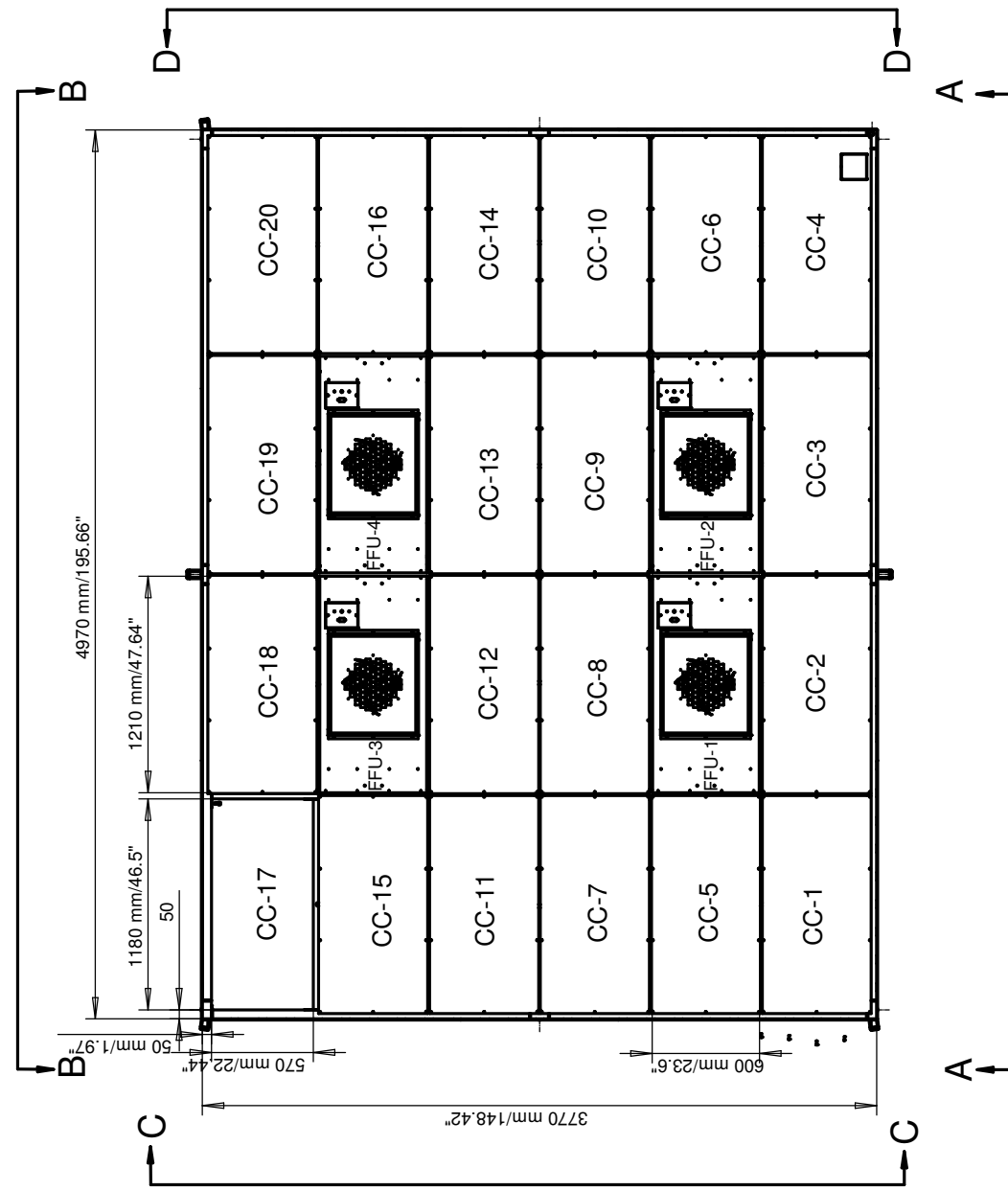
Part	Drawing number / Item reference	Part or assembly group name	Standard	Shape, Dimension Designation	Quality	Qty			
			THIRD ANGLE VIEW	DIMENSION, mm	SCALE	1:5	DATE	2007-10-27	
NOTE									
General Tolerances :									
STL/SC-12167-MS.5									
Dimension 12' x 16' x 7' (Height)									
SC12167-55a									
APPROVAL									
CHECKED BY								DESIGNED BY	
								2007-10-27	
								ling	
								Product: SFT Opatic (TM) SFT Wall (Covered)	
								100 Lines 7	



PAPER SIZE
A3



WORLD CLASS WORLDWIDE



NOTES :
ISO Class 5* - Class 10.000
 (4) FFU 2'x4' AND HEPA 2'X4'

1. (FFU-1) Fan Filter Unit - 2'x4' and HEPA 2'x4'
2. (FFU-2) Fan Filter Unit - 2'x4' and HEPA 2'x4'
3. (FFU-3) Fan Filter Unit - 2'x4' and HEPA 2'x4'
4. (FFU-4) Fan Filter Unit - 2'x4' and HEPA 2'x4'

(20) CEILING COVER

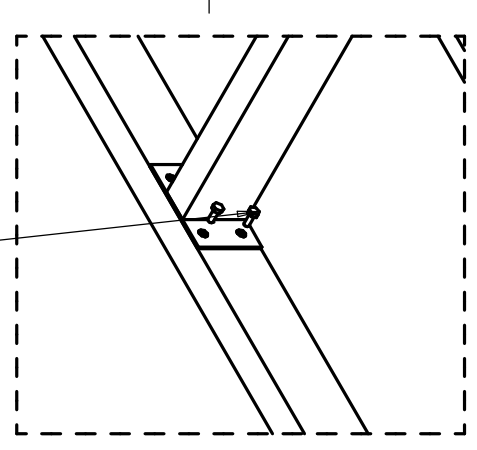
1. (CC-1) Ceiling Cover -2'x4'
2. (CC-2) Ceiling Cover -2'x4'
3. (CC-3) Ceiling Cover -2'x4'
4. (CC-4) Ceiling Cover -2'x4'
5. (CC-5) Ceiling Cover -2'x4'
6. (CC-6) Ceiling Cover -2'x4'
7. (CC-7) Ceiling Cover -2'x4'
8. (CC-8) Ceiling Cover -2'x4'
9. (CC-9) Ceiling Cover -2'x4'
10. (CC-10) Ceiling Cover -2'x4'
11. (CC-11) Ceiling Cover -2'x4'
12. (CC-12) Ceiling Cover -2'x4'
14. (CC-14) Ceiling Cover -2'x4'
13. (CC-13) Ceiling Cover -2'x4'
15. (CC-15) Ceiling Cover -2'x4'
16. (CC-16) Ceiling Cover -2'x4'
17. (CC-17) Ceiling Cover -2'x4'
18. (CC-18) Ceiling Cover -2'x4'
19. (CC-19) Ceiling Cover -2'x4'
20. (CC-20) Ceiling Cover -2'x4'

PLAN VIEW

"PLEASE READ DISCLAIMER SIGNATURE OF APPROVAL"
 Escoco requires a signature of approval before we can proceed with design and fabrication. Carefully review the submittal package (project specifications and drawings) and sign below. Contact Escoco immediately if there are any to or concerns about submittal package. Any revisions after receipt of the initial submittal package may result in a pricing change. Any revisions after the final approval will result in an additional charge.
 Customer Signature of Approval: _____

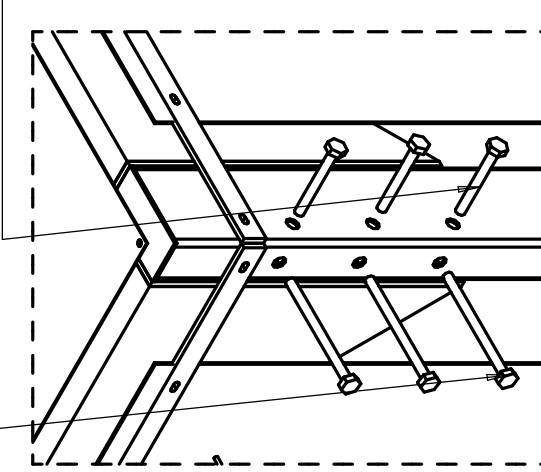
Part or assembly group name	Part	Drawing number from reference	Standard	Shape, Dimension Designation	Qty
THIRD ANGLE VIEW			DIMENSION, mm	SCALE	1:10
			DATE	DATE	2007-10-27
NOTE General Tolerances : STU/SC-12167-05.5 Dimension 12' x 16' x 7' (Height) SC12167-55D APPROVAL _____ CHECKED BY _____ DESIGNED BY _____ DRAWN BY _____ 2007-10-27 ling					
*These drawings and specifications are the exclusive property of Escoco. Issue in strict confidence and shall not, without the prior written permission of Escoco, be reproduced. PAPER SIZE A3 ESCOCO WORLDWIDE Project: STU/SC-12167-05.5 Product: Split Openair (SM Split Wall) (Escoco)					

S/S BOLT M8X20



"T" CONNECTION DETAIL

S/S BOLT M10X130

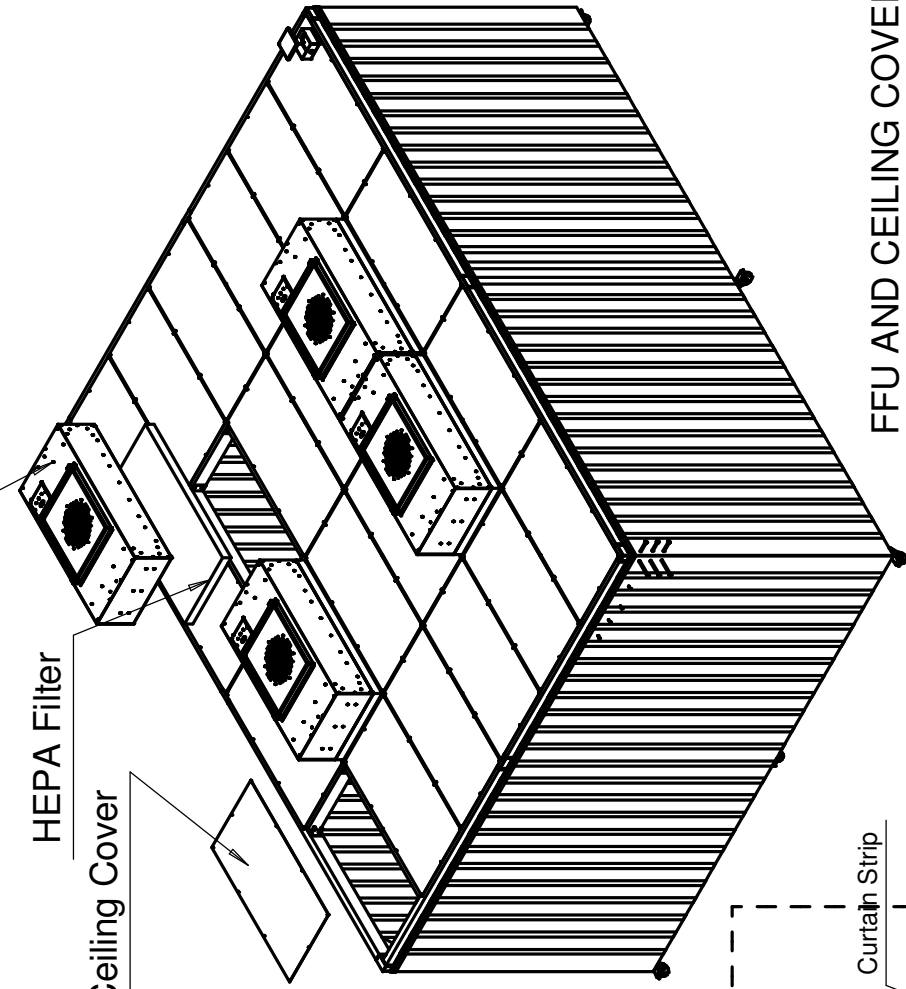


CORNER CONNECTION DETAIL

Fan Filter Unit

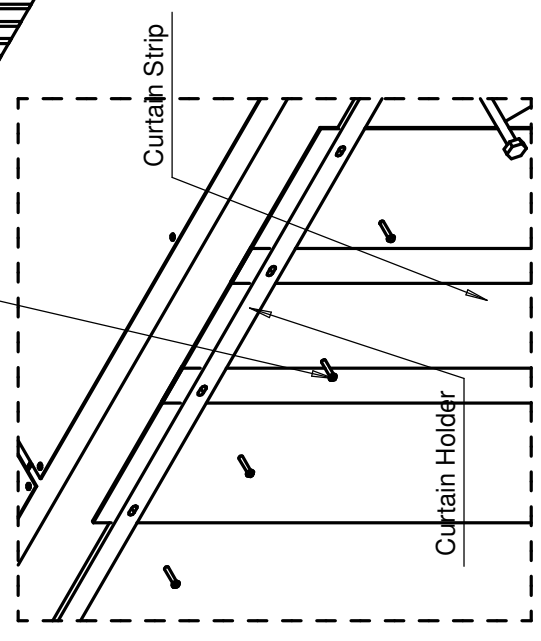
HEPA Filter

Ceiling Cover



FFU AND CEILING COVER CONNECTION DETAIL

PANHEAD SCREW M4X20



CURTAIN HOLDER CONNECTION DETAIL

"PLEASE READ DISCLAIMER SIGNATURE OF APPROVAL"
 Esco requires a signature of approval before we can proceed with design and fabrication. Carefully review the submittal package (project specifications and drawings) and sign below. Contact Esco immediately if there are any to or concerns about submittal package. Any revisions after receipt of the initial submittal package may result in a pricing change. Any revisions after the final approval will result in an additional charge.
 Customer Signature of Approval:

Part	Drawing number / Item reference	Part or assembly group name	Standard	Shape, Dimension Designation	Quantity	By
			DIMENSION	mm	SCALE	DATE
					1/8	2007-10-27
THIRD ANGLE VIEW						
NOTE						
General Tolerances :						
STL/SC-12167-06.5						
Dimension 12" x 16" x 7" (Height)						
SC12167-55F						
APPROVAL						
CHECKED BY: DESIGNED BY: 2007-10-27						
DRAWN BY: ling						
Project: STL/SC-12167-06.5						
Product: Split Curtain (RM Split Wall) Coverages						
PAPER SIZE: A3						
 ESCO WORLD CLASS WORKSHOPS						

*These drawings and specifications are the exclusive property of Esco. Issued in strict confidence and shall not, without the prior written permission of Esco, be reproduced.