

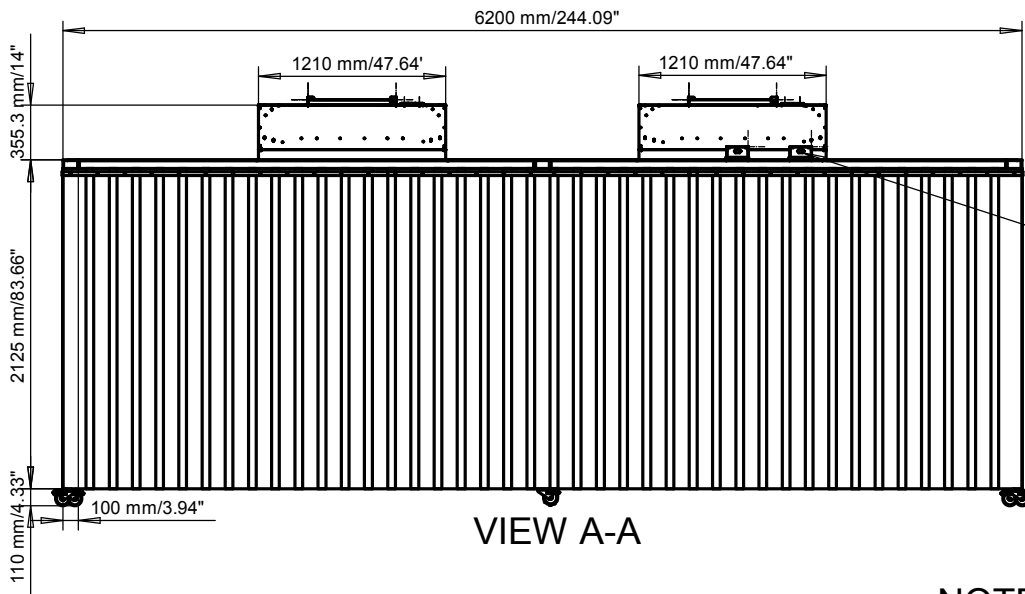
ISOMETRIC VIEW

"PLEASE READ DISCLAIMER SIGNATURE OF APPROVAL"

Esco requires a signature of approval before we can proceed with design and fabrication. Carefully review the submittal package (project specifications and drawings) and sign below. Contact Esco immediately if there are any to or concerns about submittal package. Any revisions after receipt of the initial submittal package may result in a pricing change. Any revisions after the final approval will result in an additional charge.

Customer Signature of Approval: _____

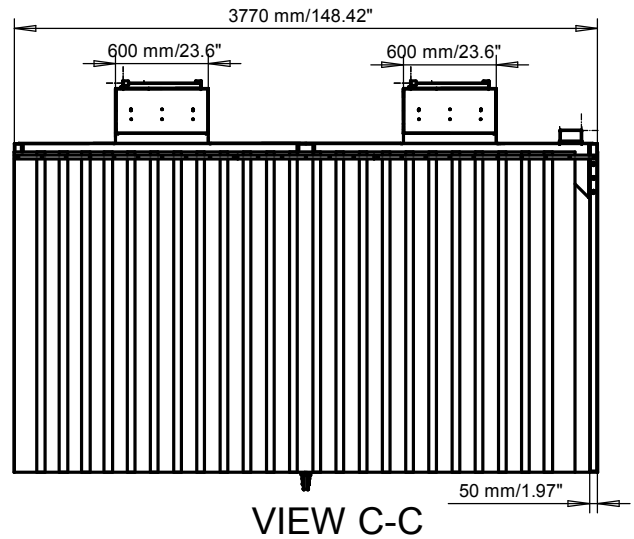
Part	Drawing number item reference	Part or assembly group name	Standard	Shape, Dimension Designation	Quality	Qty
NOTE			THIRD ANGLE VIEW	DIMENSION : mm	SCALE 1:25	DATE
General Tolerances :			STL/SC-12207-16.5			
"These drawings and specifications are the exclusive property of Esco. Issued in strict confidence and shall not, without the prior written permission of Esco, be reproduced"			Dimension 12' x 20' x 7' (Height)			
Customer Signature of Approval:			SC12207_M455e			
APPROVAL		CHECKED BY	DESIGNED BY	DRAWN BY		
[Signature]				ling		
PAPER SIZE A3			 WORLD CLASS. WORLDWIDE.		Project: STL/SC-12207-16.5	
				Product: Self capsule (TM) Self Hall Cleanroom		ISO Class 7



VIEW A-A

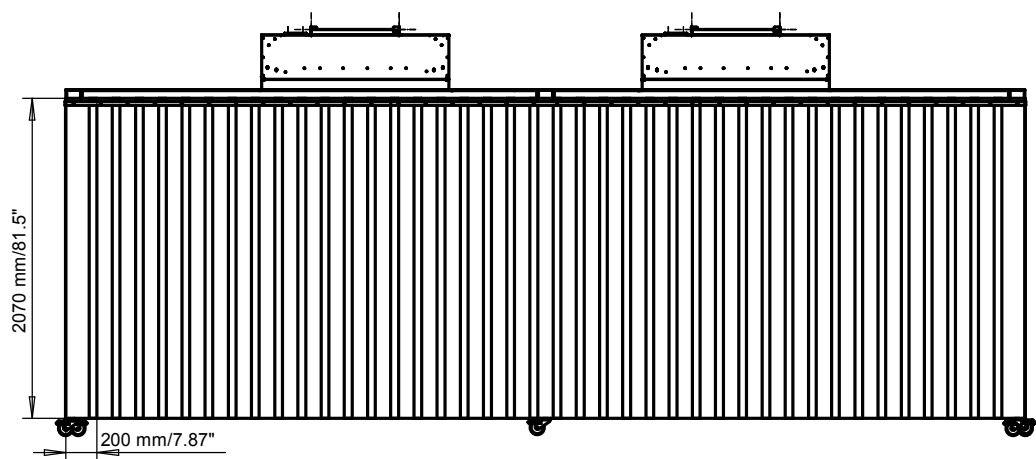
Control Box

ELEVATION VIEW

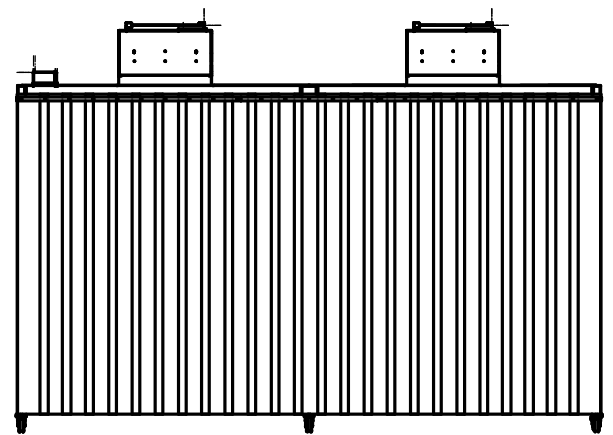


VIEW C-C

NOTES :
Curtain Dimension : 2070mm/81.5"x200mm/7.87"



VIEW B-B



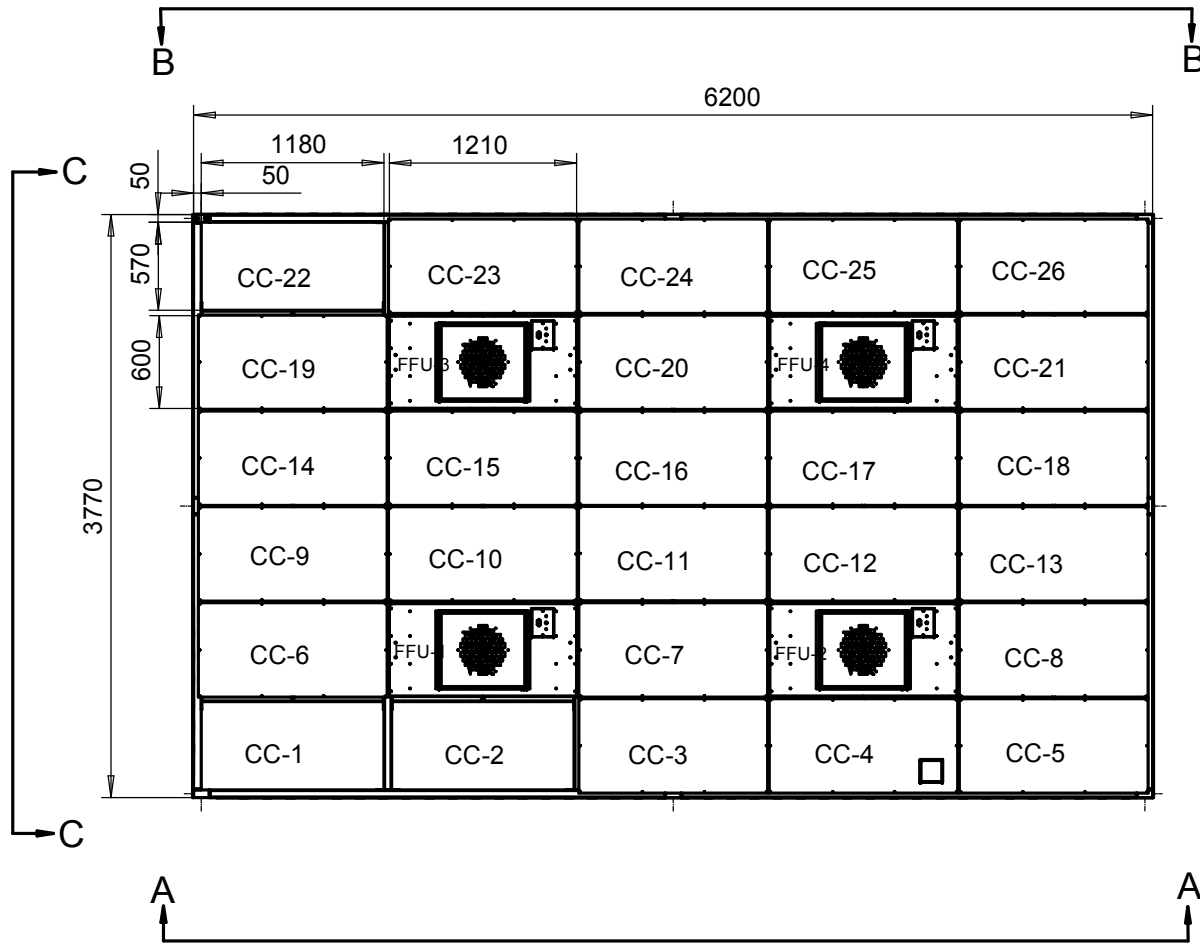
VIEW D-D

"PLEASE READ DISCLAIMER SIGNATURE OF APPROVAL"

Esco requires a signature of approval before we can proceed with design and fabrication. Carefully review the submittal package (project specifications and drawings) and sign below. Contact Esco immediately if there are any to or concerns about submittal package. Any revisions after receipt of the initial submittal package may result in a pricing change. Any revisions after the final approval will result in an additional charge.

Customer Signature of Approval: _____

Part	Drawing number Item reference	Part or assembly group name	Standard	Shape, Dimension Designation	Quality	Qty
NOTE			THIRD ANGLE VIEW	DIMENSION : mm	SCALE 1:25	DATE
General Tolerances :			STL/SC-12207- HS.5			
These drawings and specifications are the exclusive property of Esco. Issued in strict confidence and shall not, without the prior written permission of Esco, be reproduced			Dimension 12' x 20' x 7' (Height)			
APPROVAL			CHECKED BY	DESIGNED BY	DRAWN BY	
			PAPER SIZE A3	 WORLD CLASS. WORLDWIDE.	2008-07-10 ling	
Project: STL-SC_12207			Product: Self Capsule (TM) Soft Wall Cleanroom			ISO Class 7



PALN VIEW

NOTES :
ISO Class 7* - Class 10000

(4) FFU 2'X4' AND HEPA 2'X4'

1. (FFU-1) Fan Filter Unit - 2'x4' and HEPA 2'x4'
2. (FFU-2) Fan Filter Unit - 2'x4' and HEPA 2'x4'
3. (FFU-3) Fan Filter Unit - 2'x4' and HEPA 2'x4'
4. (FFU-4) Fan Filter Unit - 2'x4' and HEPA 2'x4'

(24) CEILING COVER

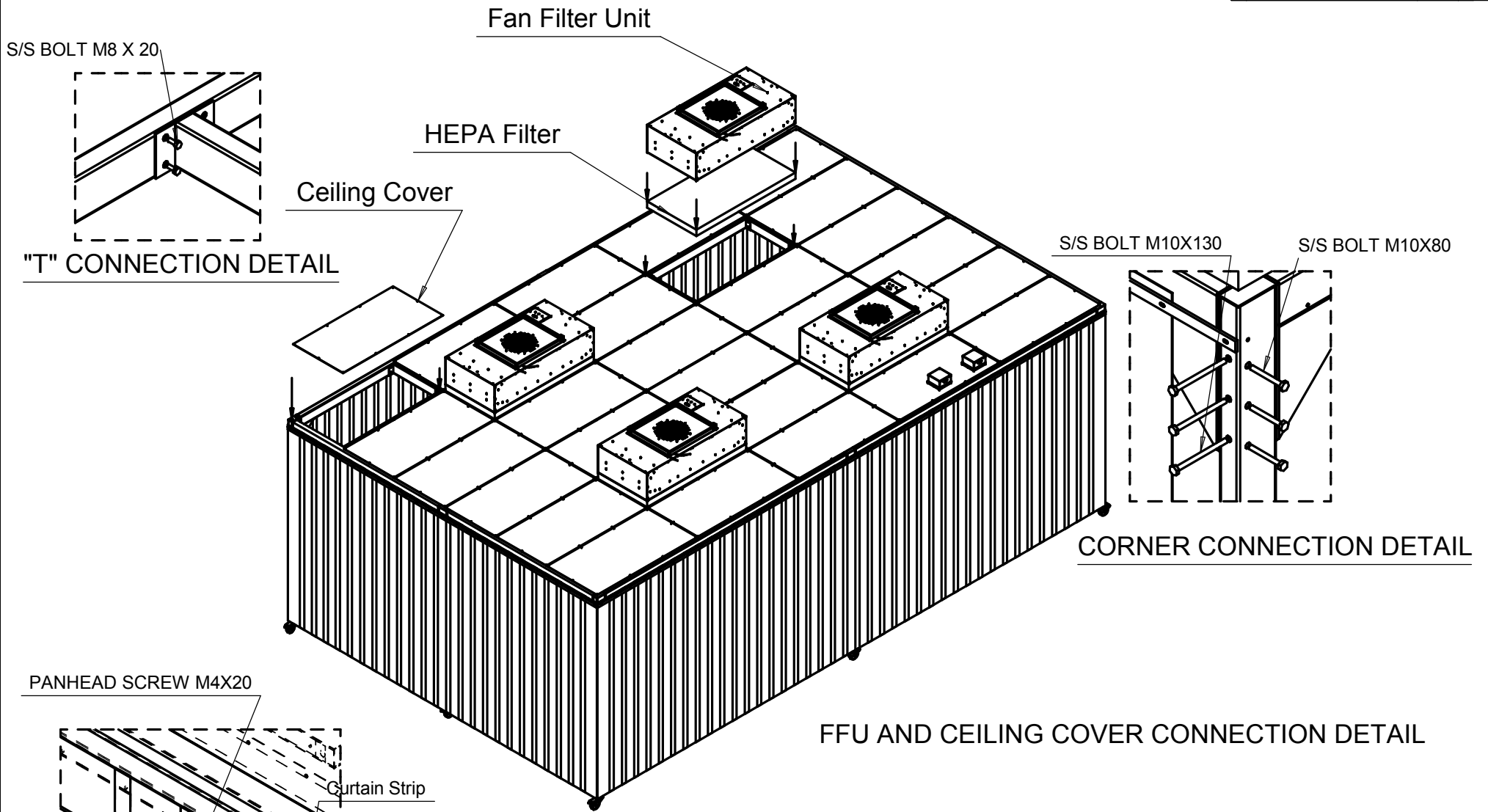
1. (CC-1) Ceiling Cover - 2'x4'
2. (CC-2) Ceiling Cover - 2'x4'
3. (CC-3) Ceiling Cover - 2'x4'
4. (CC-4) Ceiling Cover - 2'x4'
5. (CC-5) Ceiling Cover - 2'x4'
6. (CC-6) Ceiling Cover - 2'x4'
7. (CC-7) Ceiling Cover - 2'x4'
8. (CC-8) Ceiling Cover - 2'x4'
9. (CC-9) Ceiling Cover - 2'x4'
10. (CC-10) Ceiling Cover - 2'x4'
11. (CC-11) Ceiling Cover - 2'x4'
12. (CC-12) Ceiling Cover - 2'x4'
13. (CC-13) Ceiling Cover - 2'x4'
14. (CC-14) Ceiling Cover - 2'x4'
15. (CC-15) Ceiling Cover - 2'x4'
16. (CC-16) Ceiling Cover - 2'x4'
17. (CC-17) Ceiling Cover - 2'x4'
19. (CC-19) Ceiling Cover - 2'x4'
20. (CC-20) Ceiling Cover - 2'x4'
21. (CC-22) Ceiling Cover - 2'x4'
22. (CC-22) Ceiling Cover - 2'x4'
23. (CC-23) Ceiling Cover - 2'x4'
24. (CC-24) Ceiling Cover - 2'x4'
25. (CC-25) Ceiling Cover - 2'x4'
26. (CC-26) Ceiling Cover - 2'x4'

"PLEASE READ DISCLAIMER SIGNATURE OF APPROVAL"

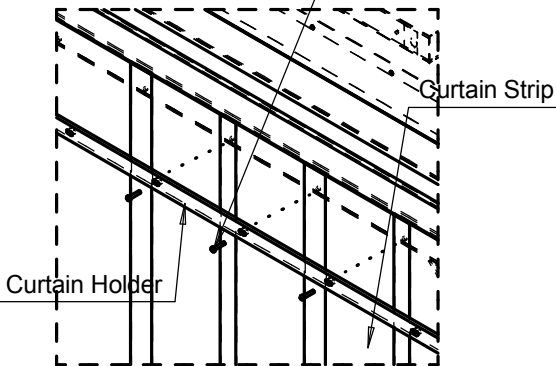
Esco requires a signature of approval before we can proceed with design and fabrication. Carefully review the submittal package (project specifications and drawings) and sign below. Contact Esco immediately if there are any to or concerns about submittal package. Any revisions after receipt of the initial submittal package may result in a pricing change. Any revisions after the final approval will result in an additional charge.

Customer Signature of Approval:

Part	Drawing number Item reference	Part or assembly group name	Standard	Shape, Dimension Designation	Quality	Qty
NOTE			THIRD ANGLE VIEW	DIMENSION : mm	SCALE 1:25	DATE
General Tolerances :			STL/SC-12207-45.5			
			Dimension 12' x 20' x 7' (Height)			
			SC12207-4555			
APPROVAL		CHECKED BY	DESIGNED BY	DRAWN BY		
			2008-07-09	ling		
PAPER SIZE A3		 WORLD CLASS. WORLDWIDE.		Project: STL/SC-12207-45.5		
				Product: Self-Capsule (TM) Soft Wall Cleanroom		ISO Class 7



PANHEAD SCREW M4X20



CURTAIN HOLDER CONNECTION DETAIL

"PLEASE READ DISCLAIMER SIGNATURE OF APPROVAL"

Esco requires a signature of approval before we can proceed with design and fabrication. Carefully review the submittal package (project specifications and drawings) and sign below. Contact Esco immediately if there are any typos or concerns about submittal package. Any revisions after receipt of the initial submittal package may result in a pricing change. Any revisions after the final approval will result in an additional charge.

Customer Signature of Approval:

FFU AND CEILING COVER CONNECTION DETAIL

Part	Drawing number / item reference	Part or assembly group name	Standard	Shape, Dimension Designation	Quality	Qty.
NOTE			THIRD ANGLE VIEW	DIMENSION : mm	SCALE : 1 : 7	DATE
General Tolerances :			STL/SC-12207-HS.5			
			Dimension 12' x 20' x 7' (Height)			
			SC12207_HMSH			
APPROVAL		CHECKED BY	DESIGNED BY	DRAWN BY		
			ling			
Project: STL/SC-12207-HS.5			Product: Self-Capable 190 Soft Wall Cleanroom			ISO Class 7

