

ISOMETRIC VIEW

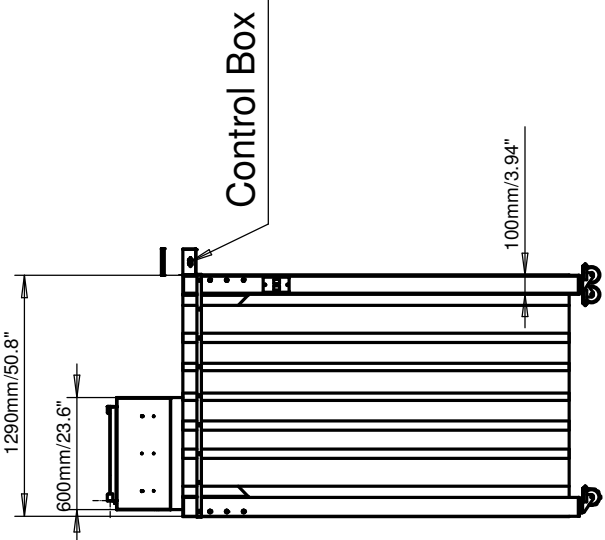
"PLEASE READ DISCLAIMER SIGNATURE OF APPROVAL"

Esco requires a signature of approval before we can proceed with design and fabrication. Carefully review the submittal package (project specifications and drawings) and sign below. Contact Esco immediately if there are any to or concerns about submittal package.

Any revisions after receipt of the initial submittal package may result in a pricing change. Any revisions after the final approval will result in an additional charge.

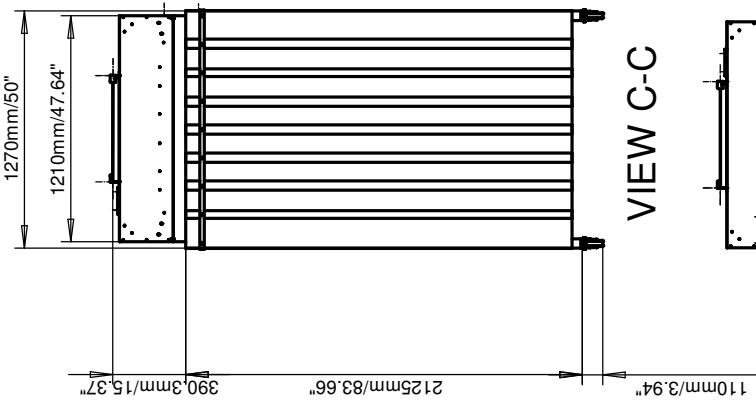
Customer Signature of Approval:

Part	Drawing number, item reference	Part or assembly group name	Standard	Shape, Dimension Designation	Quantity	Qty
			THIRD ANGLE VIEW	DIMENSION ± mm	SCALE	1:10
					DATE	2008-06-10
NOTE						
General Tolerances :						
ST/SC-447-40.3						
Dimension 4' x 4' x 7' (Height)						
Assembly 447b						
APPROVAL			CHECKED BY	DESIGNED BY	DRAWN BY	
				2008-06-10	Tumpak	
"These drawings and specifications are the exclusive property of Esco, Inc. and shall remain the property of Esco, Inc. without the prior written permission of Esco, Inc. or its representative."						
PAPER SIZE		A3		ESCO WORLD CLASS WORKWIDE		
Project: ST/SC-447-40.3			Product: SFT, Duplex, DM SFT, Wall Closure			ISO Class 3



Control Box

VIEW A-A

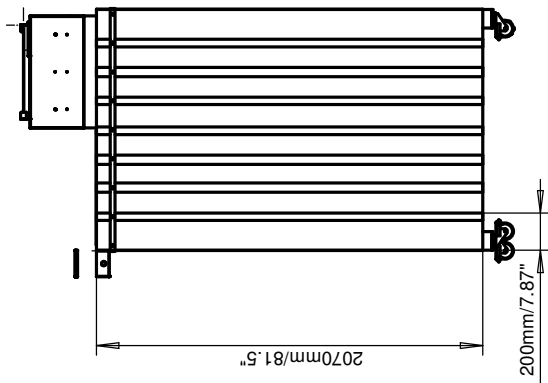


VIEW C-C

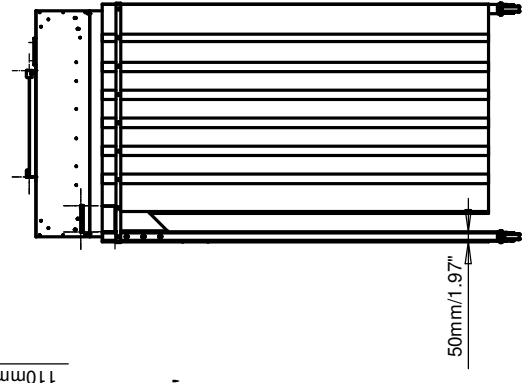
ELEVATION VIEW

NOTES:

Curtain Dimension: 2070mm/81.5" x 200mm/7.87"



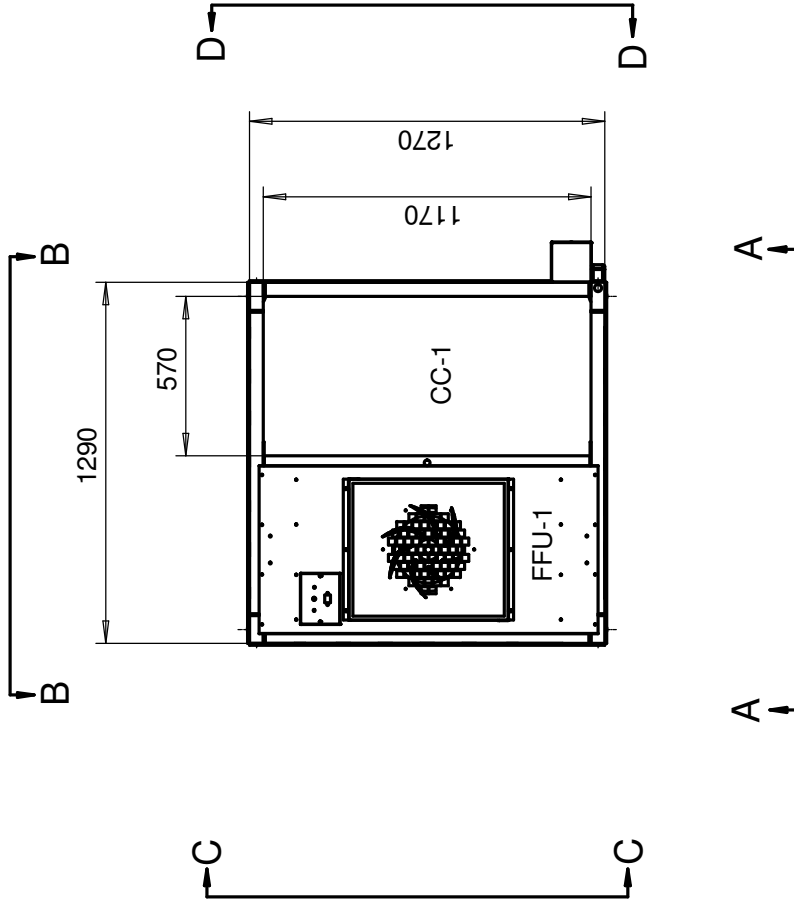
VIEW B-B



VIEW D-D

"PLEASE READ DISCLAIMER SIGNATURE OF APPROVAL"
 Esco requires a signature of approval before we can proceed with design and fabrication. Carefully review the submittal package (project specifications and drawings) and sign below. Contact Esco immediately if there are any to or concerns about submittal package. Any revisions after receipt of the initial submittal package may result in a pricing change. Any revisions after the final approval will result in an additional charge.
 Customer Signature of Approval:

Part	Drawing number from reference	Part or assembly group name	Standard	Shape, Dimension Designation	Quality	Qty
			THIRD ANGLE VIEW	DIMENSION, mm	SCALE	DATE
					2008-06-12	
<p>NOTE</p> <p>General Tolerances :</p> <p>STL/SC-447-AB.5</p> <p>Dimension 4' x 4' x 7' (Height)</p>						
APPROVAL			CHECKED BY	DESIGNED BY	DRAWN BY	
				2008-06-12	Tumpak	
<p>These drawings and specifications are the exclusive property of Esco. Issue in strict confidence and shall not, without the prior written permission of Esco, be reproduced.</p>						
PAPER SIZE			A3			
			<p>WORLD CLASS WORLDWIDE</p>			
Project: STL/SC-447-AB.5						Product: Split Opatic (TM) Split Wall Clever
						ISO Class 5



Plan View

- NOTES:**
- ISO Class 5* - Class 100**
- (1) FFU 2'x4' AND HEPA 2'X4'
 - 1. (FFU-1) Fan Filter Unit-2'x4' and HEPA 2'x4'
 - (1) CEILING COVER
 - 1. (CC-1) Ceiling Cover - 2'x4'

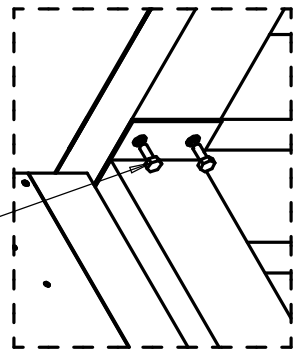
"PLEASE READ DISCLAIMER SIGNATURE OF APPROVAL"

Esco requires a signature of approval before we can proceed with design and fabrication. Carefully review the submittal package (project specifications and drawings) and sign below. Contact Esco immediately if there are any to or concerns about submittal package. Any revisions after receipt of the initial submittal package may result in a pricing change. Any revisions after the final approval will result in an additional charge. Customer Signature of Approval:

Part	Drawing number from reference	Part or assembly group name	Standard	Shape, Dimension Designation	Qty
			DIMENSIONS/mm/in	SCALE	DATE
					2008-06-10
<p>NOTE</p> <p>General Tolerances :</p>					
<p>STL/SC-447-AB.5</p> <p>Dimension 4' x 4' x 7' (Height)</p> <p>Assembly 447z</p>					
APPROVAL			CHECKED BY	DESIGNED BY	DRAWN BY
				2008-06-10	Tumpak
<p>These drawings and specifications are the exclusive property of Esco. Issued in strict confidence and shall not, without the prior written permission of Esco, be reproduced.</p>			<p>PAPER SIZE A3</p> <p>ESCO WORLD CLASS WORLDWIDE</p>		
Project: STL/SC-447-AB.5			Product: Split Openair (TM) Split Wall Cleanroom		
			ISO Class 5		

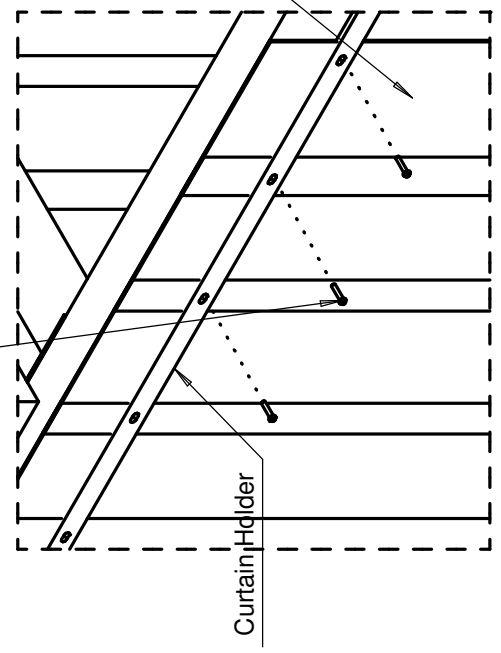
Rev	Date	Revision

S/S BOLT M8X20



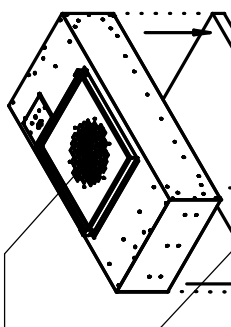
"T" CONNECTION DETAIL

PANHEAD SCREW M4X20



CURTAIN HOLDER CONNECTION DETAIL

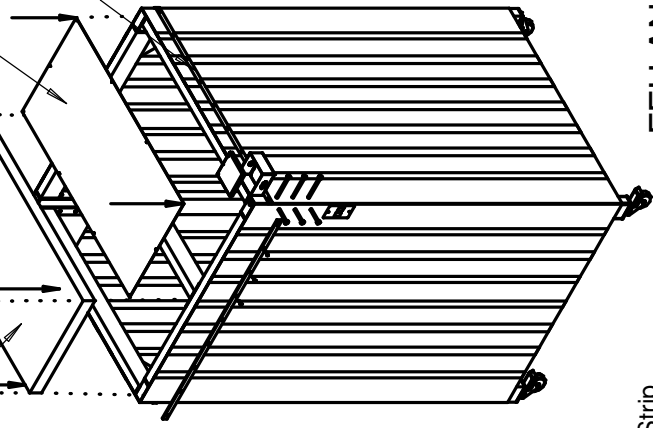
Fan Filter Unit



HEPA Filter

Ceiling Cover

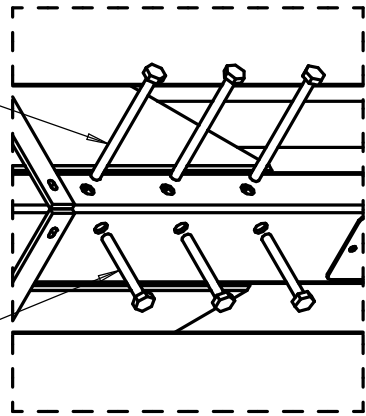
Curtain Holder



Curtain Strip

FFU AND CEILING COVER CONNECTION DETAIL

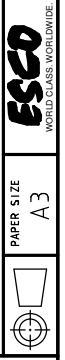
S/S BOLT M10X80



CORNER CONNECTION DETAIL

"PLEASE READ DISCLAIMER SIGNATURE OF APPROVAL"
 Esco requires a signature of approval before we can proceed with design and fabrication. Carefully review the submittal package (project specifications and drawings) and sign below. Contact Esco immediately if there are any concerns about submittal package.
 Any revisions after receipt of the initial submittal package may result in a pricing change. Any revisions after the final approval will result in an additional charge.
 Customer Signature of Approval:

Part	Drawing number, item reference	Part or assembly group name	Standard	Shape, Dimension Designation	Quantity	Qty
			THIRD ANGLE VIEW	DIMENSION x mm SCALE 1:25 DATE		2008-06-14
NOTE						
General Tolerances :						
STL/SC-447-98.5						
Dimension 6" x 6" x 7" (Height)						
Assembly/476						
APPROVAL						
CHECKED BY						
DESIGNED BY						
DRAWN BY						
2008-06-14						
Tumpak						
Product: Split Curtain (M Split Wall Curtain)						
Project: STL/SC-447-98.5						
ISO Class 5						



PAPER SIZE
A3