

Horizontal Bar (Left Frame)

Control Box

Curtain Holder (Front&Back)

HEPA Filter

Curtain Strip

Vertical Bar

Horizontal Bar (Front Frame)

Caster Wheel

Ceiling Cover

Fan Filter Unit

Horizontal Bar (Back Frame)

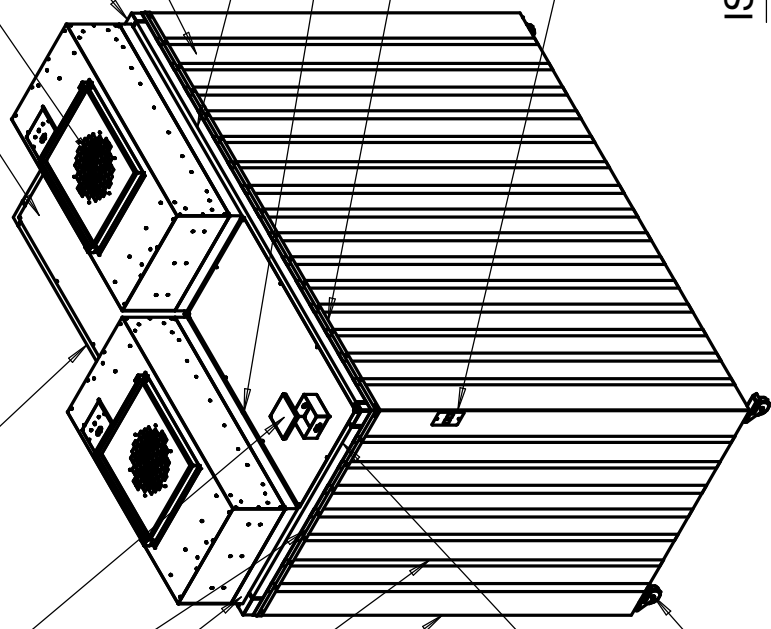
Curtain Strip

Horizontal Bar (Right Frame)

Horizontal Bar (Inside Frame)

Curtain Holder (Right&Left)

Vertical Bar (for switch)



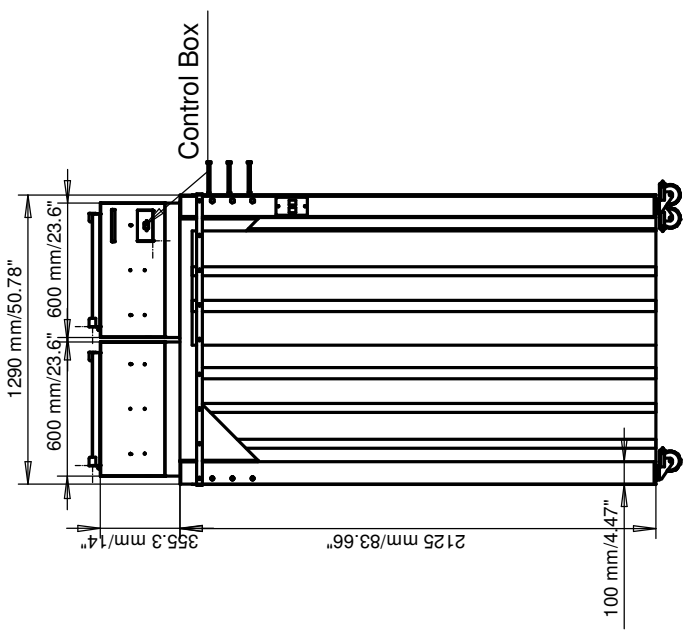
ISOMETRIC VIEW

"PLEASE READ DISCLAIMER SIGNATURE OF APPROVAL"
 Esco requires a signature of approval before we can proceed with design and fabrication. Carefully review the submittal package (project specifications and drawings) and sign below. Contact Esco immediately if there are any to or concerns about submittal package. Any revisions after receipt of the initial submittal package may result in a pricing change. Any revisions after the final approval will result in an additional charge.
 Customer Signature of Approval:

Part	Drawing number / Item reference	Part or assembly group name	Standard	Shape, Dimension Designation	Quality	Qty
THIRD ANGLE VIEW	DIMENSION, mm	SCALE	1:15	DATE	2008-06-14	
NOTE						
General Tolerances :						
"These drawings and specifications are the exclusive property of Esco. Issue in strict confidence and shall not, without the prior written permission of Esco, be reproduced."						
APPROVAL			CHECKED BY	DESIGNED BY	DRAWN BY	
STL/SC-407-AB.5				2008-06-14	Tumpak	
Dimension 4' x 8' x 7"						
Assembly 407c						
Project: STL/SC-407-AB.5			Product: Split Cassette (RM Split Wall Cassette)			
Sheet: 50			Total: 50			



PAPER SIZE A3

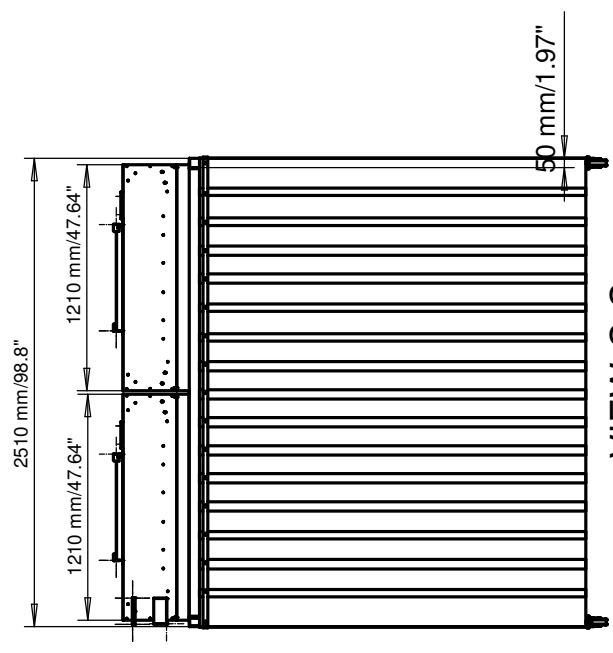


VIEW A-A

ELEVATION VIEW

NOTES :

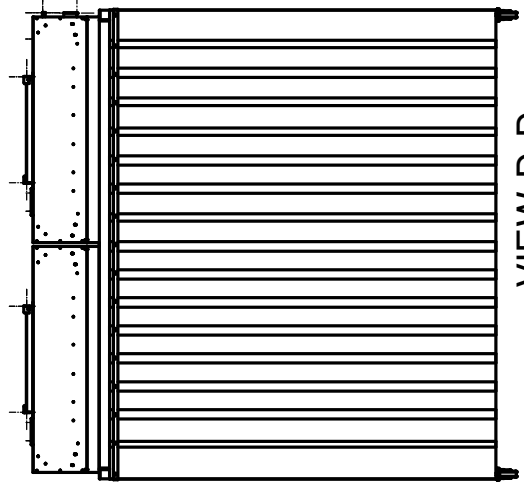
Curtain Dimension : 2070 mm/81.5"x200mm/7.87"



VIEW C-C



VIEW B-B



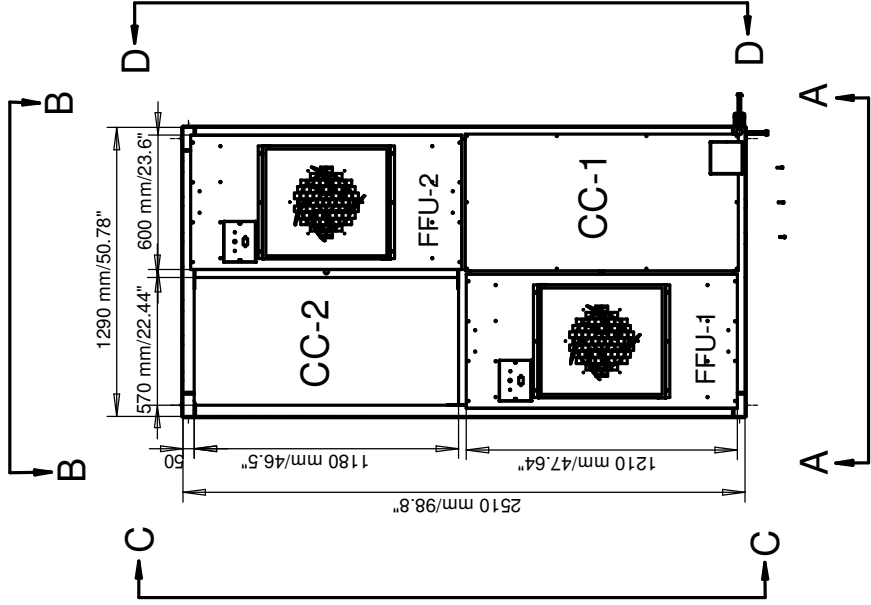
VIEW D-D

"PLEASE READ DISCLAIMER SIGNATURE OF APPROVAL"
 Esco requires a signature of approval before we can proceed with design and fabrication. Carefully review the submittal package (project specifications and drawings) and sign below. Contact Esco immediately if there are any to or concerns about submittal package. Any revisions after receipt of the initial submittal package may result in a pricing change. Any revisions after the final approval will result in an additional charge.
 Customer Signature of Approval :

Part	Drawing number / Item reference	Part or assembly group name	Standard	Shape, Dimension Designation	Quantity	Qty
			THIRD ANGLE VIEW	DIMENSION, mm	SCALE	DATE
					2008-05-12	
NOTE General Tolerances :						
APPROVAL CHECKED BY : DESIGNED BY : 2008-05-12 ling						
"These drawings and specifications are the exclusive property of Esco. Issues in office conference and shall not, without the prior written permission of Esco, be reproduced."						
PAPER SIZE : A3 ESCO WORLD CLASS WORLDWIDE						
Project: STL/SC-407-4B.5 Product: Split Operate (TM) Split Wall Closure						59 Line 3

NOTES :
ISO Class 5* - Class 100
 (2) FFU 2'x4' AND HEPA 2'x4'

1. (FFU-1) Fan Filter Unit - 2'x4' and HEPA 2'x4'
 2. (FFU-2) Fan Filter Unit - 2'x4' and HEPA 2'x4'
- (2) CEILING COVER
1. (CC-1) Ceiling Cover - 2'x4'
 2. (CC-2) Ceiling Cover - 2'x4'



"PLEASE READ DISCLAIMER SIGNATURE OF APPROVAL"
 Esco requires a signature of approval before we can proceed with design and fabrication. Carefully review the submittal package (project specifications and drawings) and sign below. Contact Esco immediately if there are any concerns about submittal package. Any revisions after receipt of the initial submittal package may result in a pricing change. Any revisions after the final approval will result in an additional charge.
 Customer Signature of Approval:

Part	Drawing number, item reference	Part or assembly group name	Standard	Shape, Dimension Designation	Quantity	Qty
TWO ANGLE VIEW	THIRD ANGLE VIEW	THIRD ANGLE VIEW	THIRD ANGLE VIEW	THIRD ANGLE VIEW	THIRD ANGLE VIEW	THIRD ANGLE VIEW
APPROVAL	CHECKED BY	DESIGNED BY	SCALE	DATE	DATE	DATE
						2008-05-12
STL/SK-407-485						
Dimension 6' x 8' x 7' (Height)						
Assembly 4874						
Project: STL/SK-407-485						
Product: Split Clean Room Split Wall Cleanroom						
Project: STL/SK-407-485						
Product: Split Clean Room Split Wall Cleanroom						

NOTE
 General Tolerances :

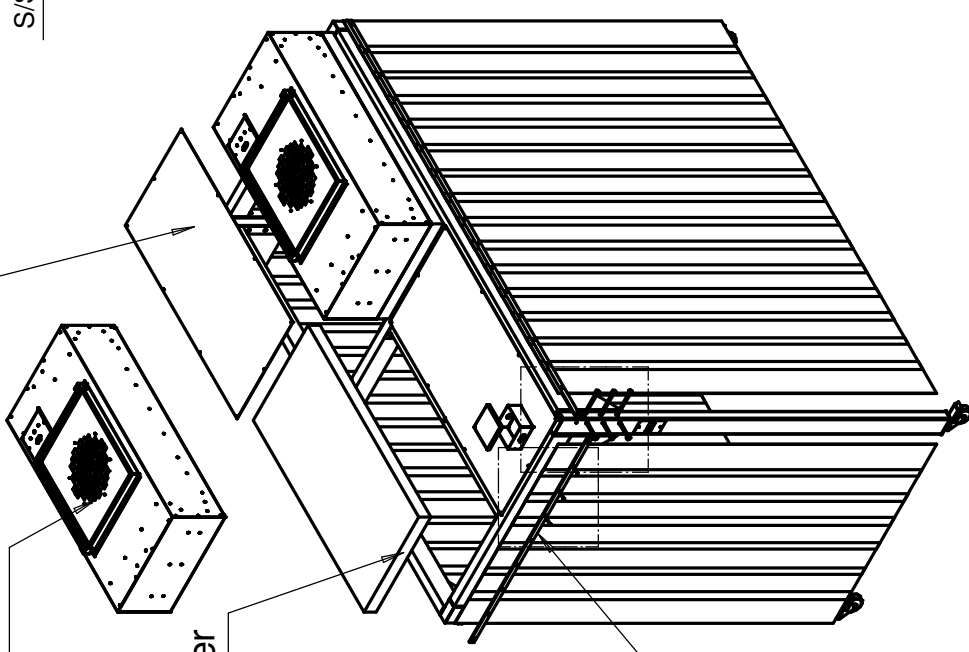
These drawings and specifications are the exclusive property of Esco. Issues in excess of two (2) shall not be reproduced without the prior written permission of Esco, Inc.

ESCO
 WORLD CLASS. WORLDWIDE.

PAPER SIZE: A3

Fan Filter Unit

Ceiling Cover



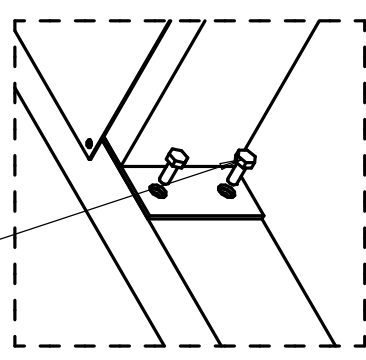
S/S BOLT M10X80

S/S BOLT M10X130

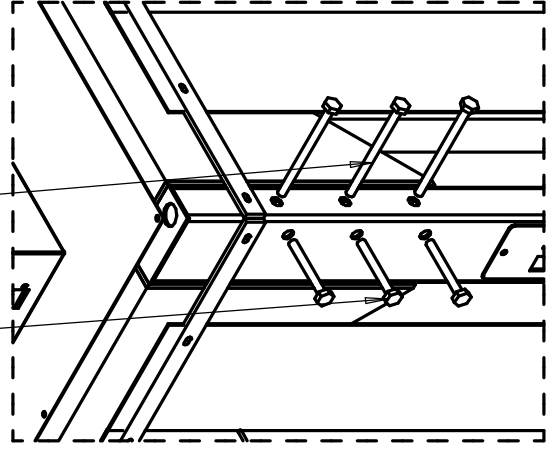
PANHEAD SCREW M4X20

Curtain Holder

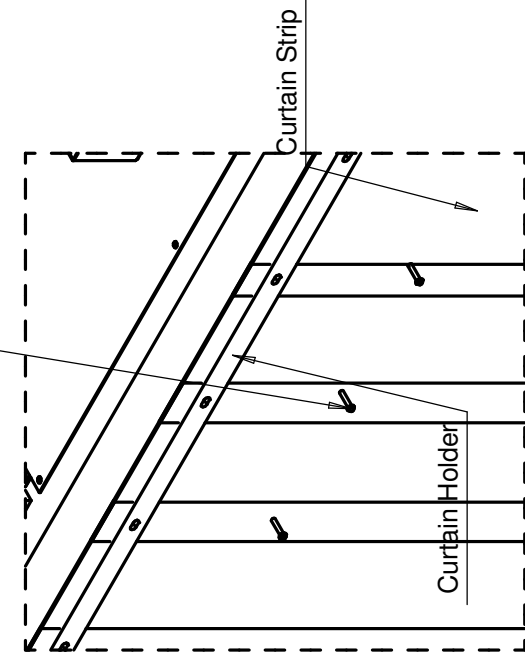
"T" CONNECTION DETAIL



CORNER CONNECTION DETAIL



FFU AND CEILING COVER CONNECTION DETAIL



CURTAIN HOLDER CONNECTION DETAIL

"PLEASE READ DISCLAIMER SIGNATURE OF APPROVAL"
 Esco requires a signature of approval before we can proceed with design and fabrication. Carefully review the submittal package (project specifications and drawings) and sign below. Contact Esco immediately if there are any to or concerns about submittal package. Any revisions after receipt of the initial submittal package may result in a pricing change. Any revisions after the final approval will result in an additional charge.
 Customer Signature of Approval:

Part	Drawing number, Item reference	Part or assembly group name	Standard	Dimension, mm	Shape, Dimension designation	Quantity	Qty	
			THIRD ANGLE VIEW	SCALE	DATE	DATE	2008-05-12	
NOTE			General Tolerances :					
STL/SC-407-AB.5			Dimension 4' x 0' x 7' (Height)					
Assembly 4077			APPROVAL					
CHECKED BY			DESIGNED BY			DRAWN BY		
			2008-05-12			ling		
Project: STL/SC-407-AB.5			Product: Split Operate (TM) Split Wall (Cover)			ISO Class 5		

