

ISOMETRIC VIEW

"PLEASE READ DISCLAIMER SIGNATURE OF APPROVAL"

Esco requires a signature of approval before we can proceed with design and fabrication. Carefully review the submittal package (project specifications and drawings) and sign below. Contact Esco immediately if there are any to or concerns about submittal package. Any revisions after receipt of the initial submittal package may result in a pricing change. Any revisions after the final approval will result in an additional charge.

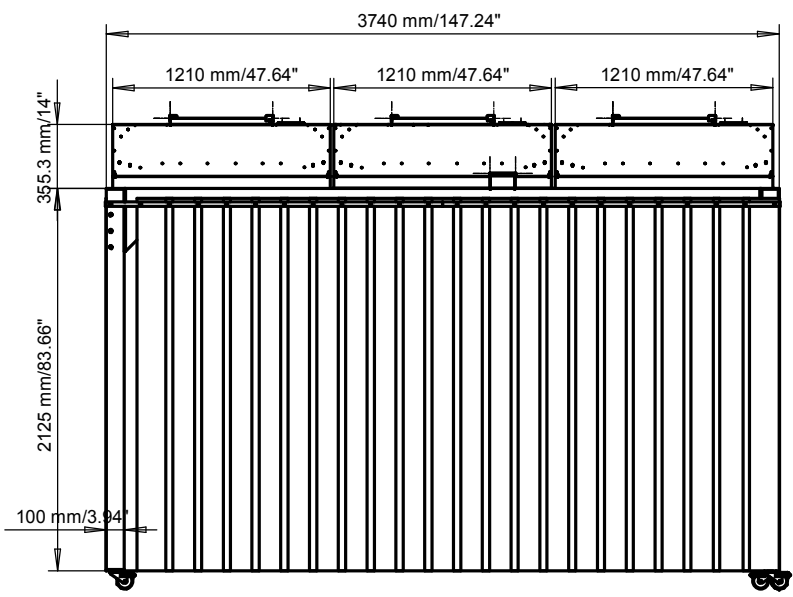
Customer Signature of Approval:

Part	Drawing number item reference	Part or assembly group name	Standard	Shape, Dimension Designation	Quality	Qty
NOTE			THIRD ANGLE VIEW	DIMENSION : mm	SCALE 1:25	DATE 2008-05-13
General Tolerances :			STL/SC-6127-4B.5			
			Dimension 6' x 12' x 7' (Height)			
			SC6127_FAc			
APPROVAL		CHECKED BY	DESIGNED BY	DRAWN BY		
			2008-05-13	ling		
Project: STL/SC-6127B.5			Product: Soft Capsule (TM) Soft Hall Cleanroom			ISO Class 5



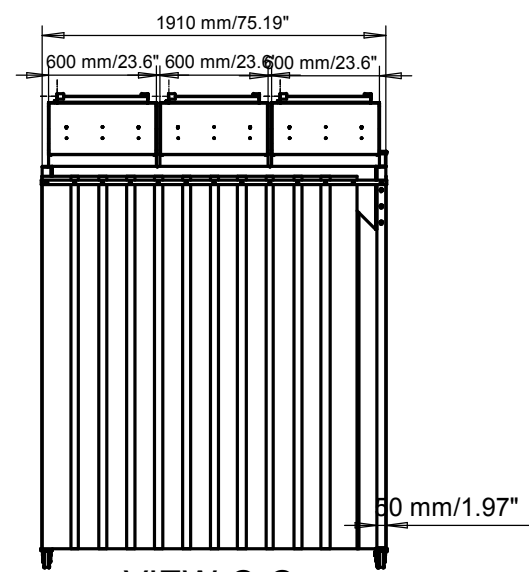
PAPER SIZE
A3



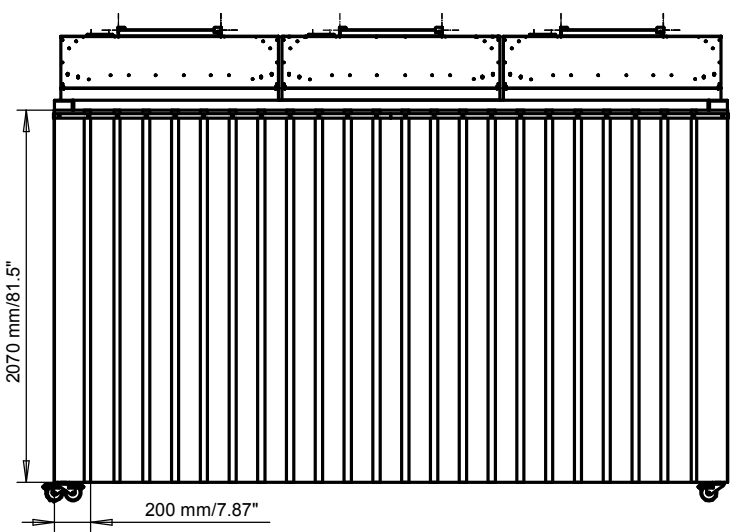


VIEW A-A

ELEVATION VIEW



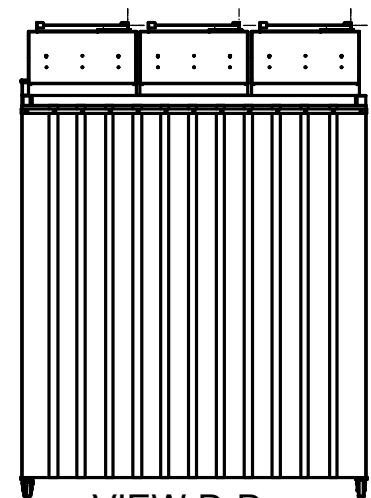
VIEW C-C



VIEW B-B

NOTES :

Curtain Dimension : 2070mm/81.5"x200mm/7.87"



VIEW D-D

"PLEASE READ DISCLAIMER SIGNATURE OF APPROVAL"

Esco requires a signature of approval before we can proceed with design and fabrication. Carefully review the submittal package (project specifications and drawings) and sign below. Contact Esco immediately if there are any to or concerns about submittal package. Any revisions after receipt of the initial submittal package may result in a pricing change. Any revisions after the final approval will result in an additional charge.

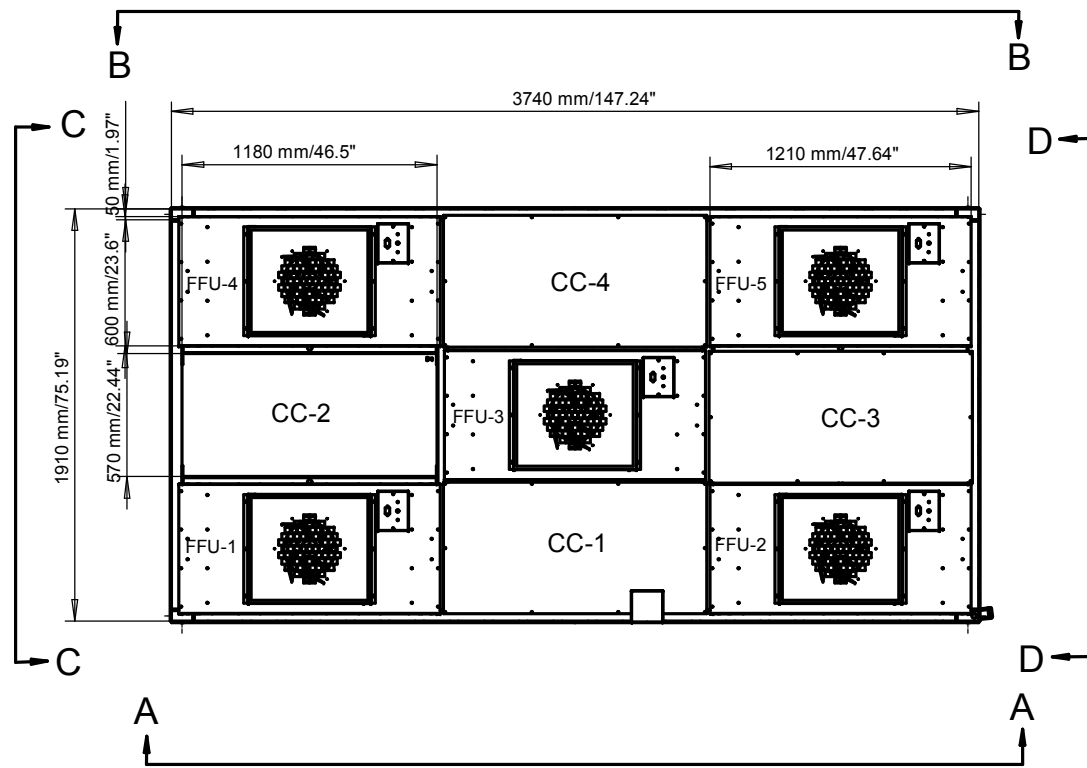
Customer Signature of Approval: _____

Part	Drawing number item reference	Part or assembly group name	Standard	Shape, Dimension Designation	Quality	Qty
NOTE						
General Tolerances :						
THIRD ANGLE VIEW			DIMENSION : mm	SCALE	1:25	DATE 2008-05-13
STL/SC-6127-4B.5						
Dimension 6' x 12' x 7' (Height)						
SC6127_FAc						
APPROVAL	CHECKED BY	DESIGNED BY	DRAWN BY			
		2008-05-13	ling			
Project: STL/SC-6127-4B.5			Product: Soft Capsule (TM) Soft Hall Classroom			ISO Class 5



PAPER SIZE
A3





PLAN VIEW

NOTES :
ISO Class 5* - Class 100

- (5) FFU 2'x4' AND HEPA 2'x4'
- 1. (FFU-1) Fan Filter Unit - 2'x4' and HEPA 2'x4'
- 2. (FFU-2) Fan Filter Unit - 2'x4' and HEPA 2'x4'
- 3. (FFU-3) Fan Filter Unit - 2'x4' and HEPA 2'x4'
- 4. (FFU-4) Fan Filter Unit - 2'x4' and HEPA 2'x4'
- 5. (FFU-5) Fan Filter Unit - 2'x4' and HEPA 2'x4'

- (5) CEILING COVER
- 1. (CC-1) Ceiling Cover - 2'x4'
- 2. (CC-2) Ceiling Cover - 2'x4'
- 3. (CC-3) Ceiling Cover - 2'x4'
- 4. (CC-4) Ceiling Cover - 2'x4'
- 5. (CC-5) Ceiling Cover - 2'x4'

"PLEASE READ DISCLAIMER SIGNATURE OF APPROVAL"

Esco requires a signature of approval before we can proceed with design and fabrication. Carefully review the submittal package (project specifications and drawings) and sign below. Contact Esco immediately if there are any typos or concerns about submittal package. Any revisions after receipt of the initial submittal package may result in a pricing change. Any revisions after the final approval will result in an additional charge.

Customer Signature of Approval:

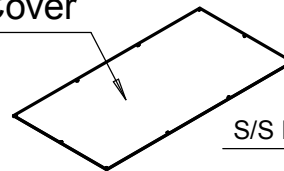
Part	Drawing number item reference	Part or assembly group name	Standard	Shape, Dimension Designation	Quality	Qty
NOTE			THIRD ANGLE VIEW	DIMENSION : mm	SCALE 1:25	DATE 2008-05-13
General Tolerances :			STL/SC-6127-4B.5			
			Dimension 6' x 12' x 7' (Height)			
			SC6127_FAD			
APPROVAL		CHECKED BY	DESIGNED BY	DRAWN BY		
			2008-05-13	ling		
Project: STL/SC-6127-4B.5			Product: Soft Capaci (TM) Soft Wall Cleanroom			ISO Class 5



PAPER SIZE
A3



Ceiling Cover



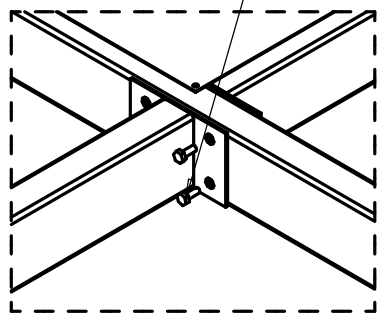
S/S BOLT M10X130

S/S BOLT M10X80

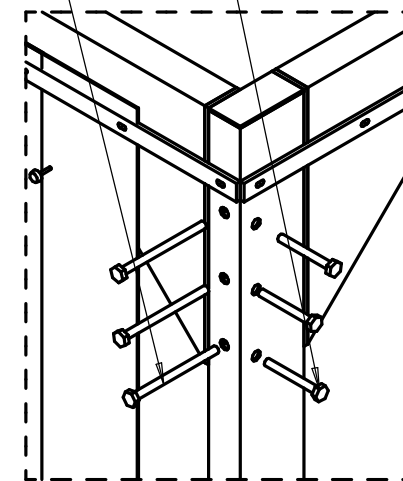
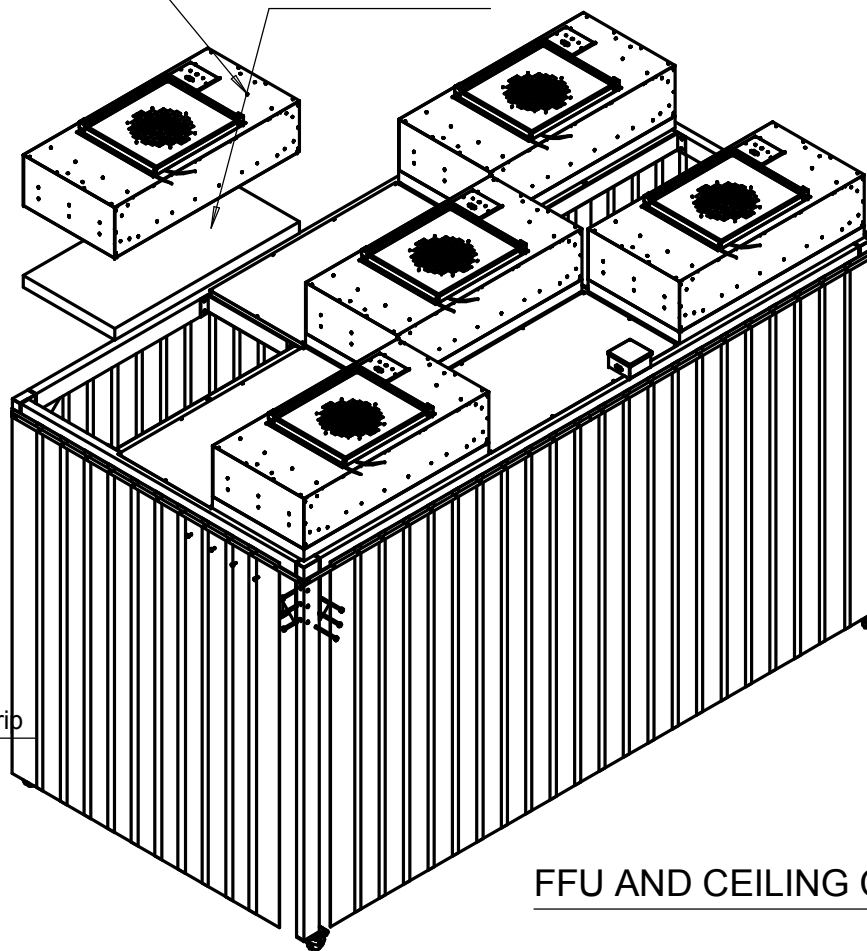
S/S BOLT M8X20

Fan Filter Unit

HEPA Filter



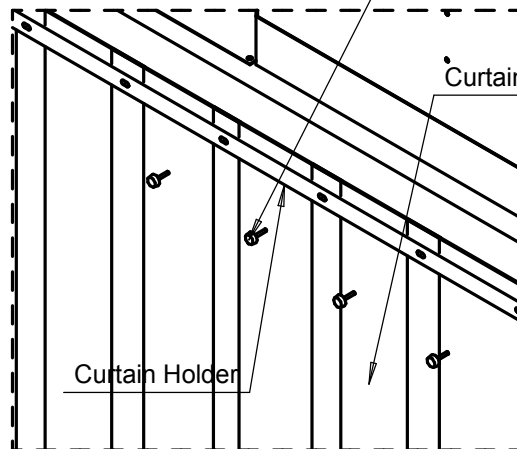
"T" CONNECTION DETAIL



CORNER CONNECTION DETAIL

PANHEAD SCREW M4X20

Curtain Strip



Curtain Holder

FFU AND CEILING COVER CONNECTION DETAIL

"PLEASE READ DISCLAIMER SIGNATURE OF APPROVAL"

Esco requires a signature of approval before we can proceed with design and fabrication. Carefully review the submittal package (project specifications and drawings) and sign below. Contact Esco immediately if there are any to or concerns about submittal package. Any revisions after receipt of the initial submittal package may result in a pricing change. Any revisions after the final approval will result in an additional charge.

Customer Signature of Approval:

Part	Drawing number item reference	Part or assembly group name	Standard	Shape, Dimension Designation	Quality	Qty
NOTE			THIRD ANGLE VIEW	DIMENSION : mm	SCALE 1:25	DATE 2008-05-13
General Tolerances :			STL/SC-6127-4B.5			
			Dimension 6' x 12' x 7' (Height)			
			SC6127_FAF			
APPROVAL	CHECKED BY	DESIGNED BY	DRAWN BY			
		2008-05-13	ling			
Project: STL/SC-6127-4B.5			Product: Soft Capsule (TM) Soft Hall Cleanroom			ISO Class 5



PAPER SIZE
A3

CURTAIN HOLDER CONNECTION DETAIL