

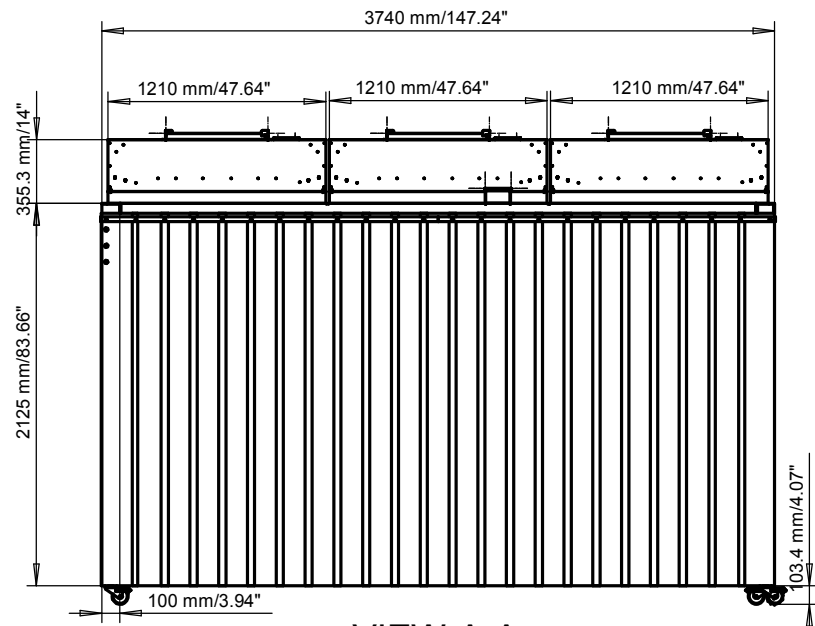
**ISOMETRIC VIEW**

"PLEASE READ DISCLAIMER SIGNATURE OF APPROVAL"

Esco requires a signature of approval before we can proceed with design and fabrication. Carefully review the submittal package (project specifications and drawings) and sign below. Contact Esco immediately if there are any typos or concerns about submittal package. Any revisions after receipt of the initial submittal package may result in a pricing change. Any revisions after the final approval will result in an additional charge.

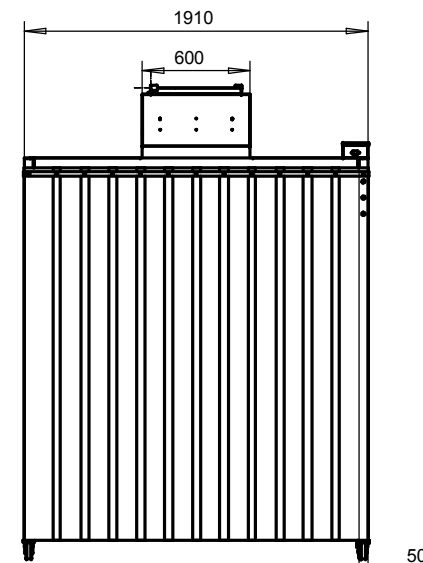
Customer Signature of Approval:

Part	Drawing number item reference	Part or assembly group name	Standard	Shape, Dimension Designation	Quality	Qty
NOTE			THIRD ANGLE VIEW	DIMENSION : mm	SCALE 1:25	DATE 2008-05-13
General Tolerances :			STL/SC-6127-M.5			
*These drawings and specifications are the exclusive property of Esco. Issued in strict confidence and shall not, without the prior written permission of Esco, be reproduced*			Dimension 6' x 12' x 7' (height)			
APPROVAL			CHECKED BY	DESIGNED BY	DRAWN BY	
PAPER SIZE A3			2008-05-13		ling	
ESCO WORLD CLASS. WORLDWIDE.			Project: STL/SC-6127-M.5			Product: Self capsule (TM) Self Hall Cleanroom
						ISO Class 6



VIEW A-A

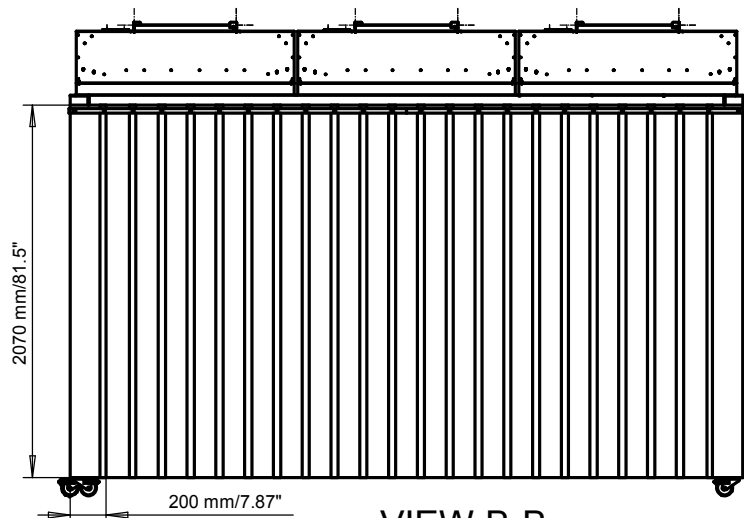
ELEVATION VIEW



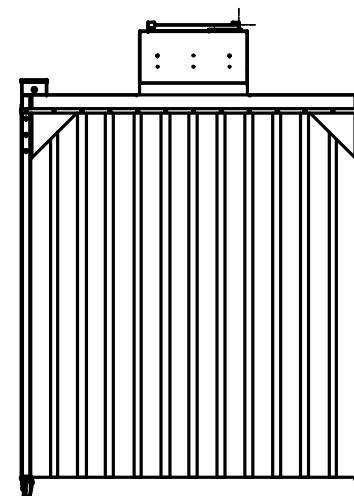
VIEW C-C

NOTES :

Curtain Dimension : 2070mm/81.5"x200mm/7.87'



VIEW B-B



VIEW D-D

"PLEASE READ DISCLAIMER SIGNATURE OF APPROVAL"

Esco requires a signature of approval before we can proceed with design and fabrication. Carefully review the submittal package (project specifications and drawings) and sign below. Contact Esco immediately if there are any to or concerns about submittal package. Any revisions after receipt of the initial submittal package may result in a pricing change. Any revisions after the final approval will result in an additional charge.

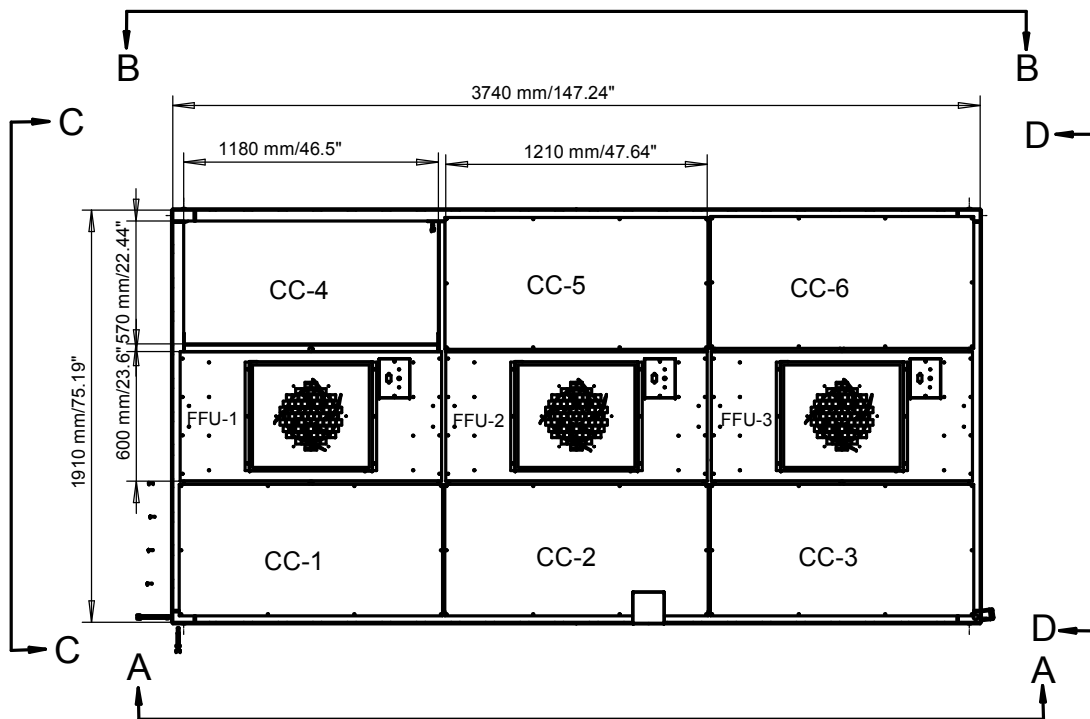
Customer Signature of Approval:

Part	Drawing number item reference	Part or assembly group name	Standard	Shape, Dimension Designation	Quality	Qty
NOTE			THIRD ANGLE VIEW	DIMENSION : mm	SCALE 1:25	DATE 2008-05-13
General Tolerances :			STL/SC-6127-M.5			
			Dimension 6' x 12' x7' (Height)			
			STL-SC_16127M.5e			
APPROVAL		CHECKED BY	DESIGNED BY	DRAWN BY		
			2008-05-13	ling		
Project: STL/SC-6127-M.5		Product: Self capsule (TM) Self Hall Classroom			ISO Class 6	



PAPER SIZE  
A3





PLAN VIEW

**NOTES :**

**ISO Class 6\* - Class 1000**

(3) FFU 2'x4' AND HEPA 2'x4'

1. (FFU-1) fan Filter Unit - 2'x4' and HEPA 2'x4'
2. (FFU-2) fan Filter Unit - 2'x4' and HEPA 2'x4'
3. (FFU-3) fan Filter Unit - 2'x4' and HEPA 2'x4'

(6) CEILING COVER

1. (CC-1) Ceiling Cover -2'x4'
2. (CC-2) Ceiling Cover -2'x4'
3. (CC-3) Ceiling Cover -2'x4'
4. (CC-4) Ceiling Cover -2'x4'
5. (CC-5) Ceiling Cover -2'x4'
6. (CC-6) Ceiling Cover -2'x4'

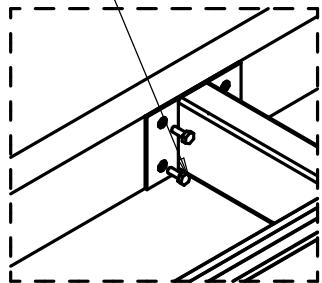
**"PLEASE READ DISCLAIMER SIGNATURE OF APPROVAL"**

Esco requires a signature of approval before we can proceed with design and fabrication. Carefully review the submittal package (project specifications and drawings) and sign below. Contact Esco immediately if there are any to or concerns about submittal package. Any revisions after receipt of the initial submittal package may result in a pricing change. Any revisions after the final approval will result in an additional charge.

Customer Signature of Approval:

Part	Drawing number item reference	Part or assembly group name	Standard	Shape, Dimension Designation	Quality	Qty
NOTE			THIRD ANGLE VIEW	DIMENSION : mm	SCALE 1:25	DATE 2008-05-13
General Tolerances :			STL/SC-6127-M.5			
			Dimension 6' x 12' x 7' (Height)			
			STL-SC_16127M.5d			
APPROVAL		CHECKED BY	DESIGNED BY		DRAWN BY	
			2008-05-13		ling	
PAPER SIZE A3			WORLD CLASS, WORLDWIDE.			
Project: STL/SC-6127-M.5			Product: Self capsule (TM) Self Hall Cleanroom			ISO Class 6

S/S BOLT M8X20

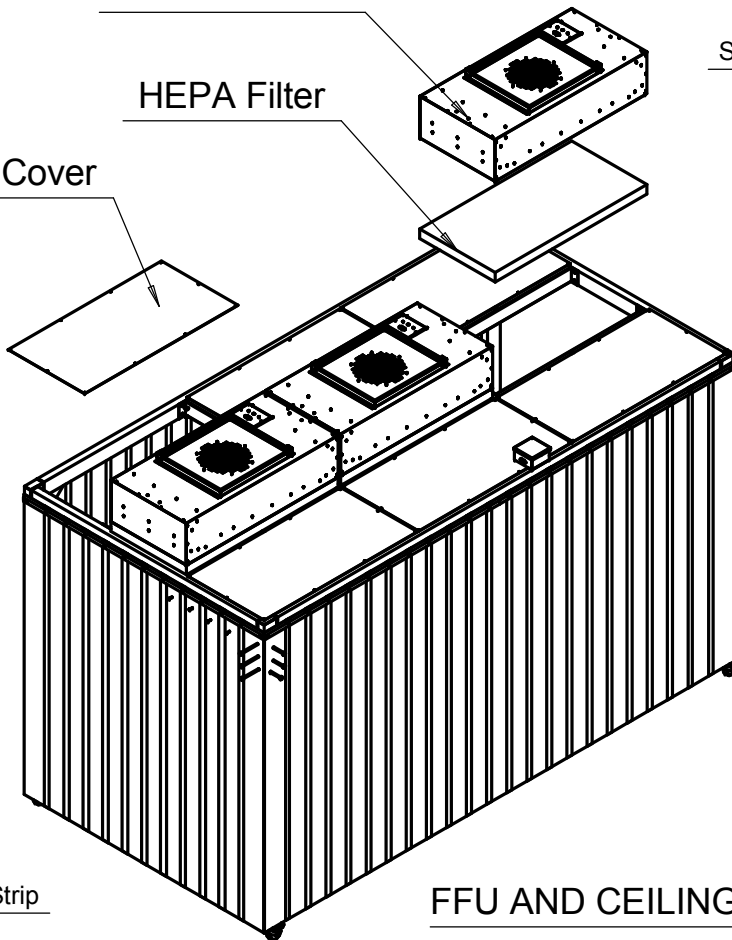


"T" CONNECTION DETAIL

Fan Filter Unit

HEPA Filter

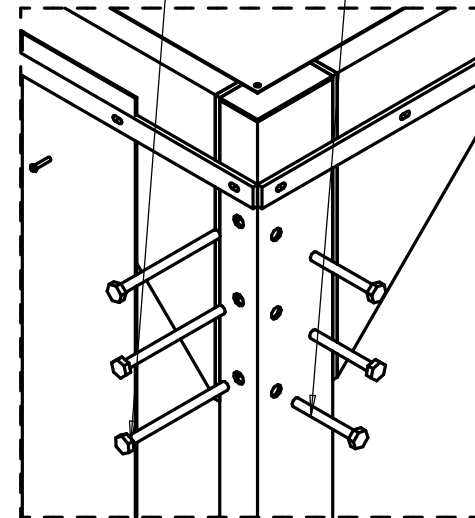
Ceiling Cover



FFU AND CEILING COVER CONNECTION DETAIL

S/S BOLT M10X130

S/S BOLT M10X80

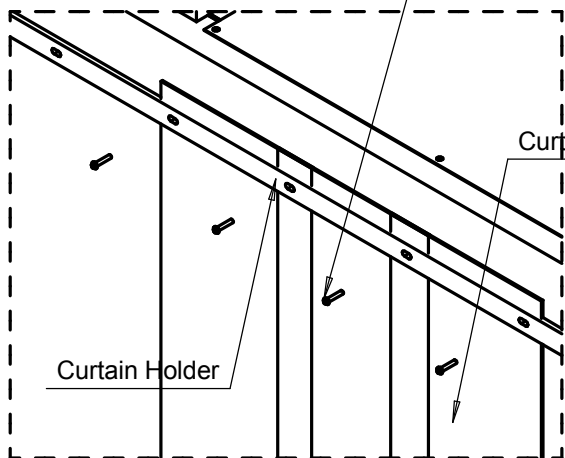


CORNER CONNECTION DETAIL

PANHEAD SCREW M4X20

Curtain Strip

Curtain Holder



CURTAIN HOLDER CONNECTION DETAIL

"PLEASE READ DISCLAIMER SIGNATURE OF APPROVAL"

Esco requires a signature of approval before we can proceed with design and fabrication. Carefully review the submittal package (project specifications and drawings) and sign below. Contact Esco immediately if there are any typos or concerns about submittal package. Any revisions after receipt of the initial submittal package may result in a pricing change. Any revisions after the final approval will result in an additional charge.

Customer Signature of Approval:

Part	Drawing number Item reference	Part or assembly group name	Standard	Shape, Dimension Designation	Quality	Qty
NOTE			THIRD ANGLE VIEW	DIMENSION : mm	SCALE : 1/25	DATE : 2008-05-13
General Tolerances :			STL/SC-6127-M.5			
"These drawings and specifications are the exclusive property of Esco, issued in strict confidence and shall not, without the prior written permission of Esco, be reproduced"			Dimension 6' x 12' x 7' (Height)			
			STL-SC_16127M5F			
APPROVAL	CHECKED BY	DESIGNED BY	DRAWN BY			
		ling				
Project: STL/SC-6127-M.5			Product: Soft capsule 1100 Soft Wall Cleanroom			ISO Class 6



PAPER SIZE  
A3