

ISOMETRIC VIEW

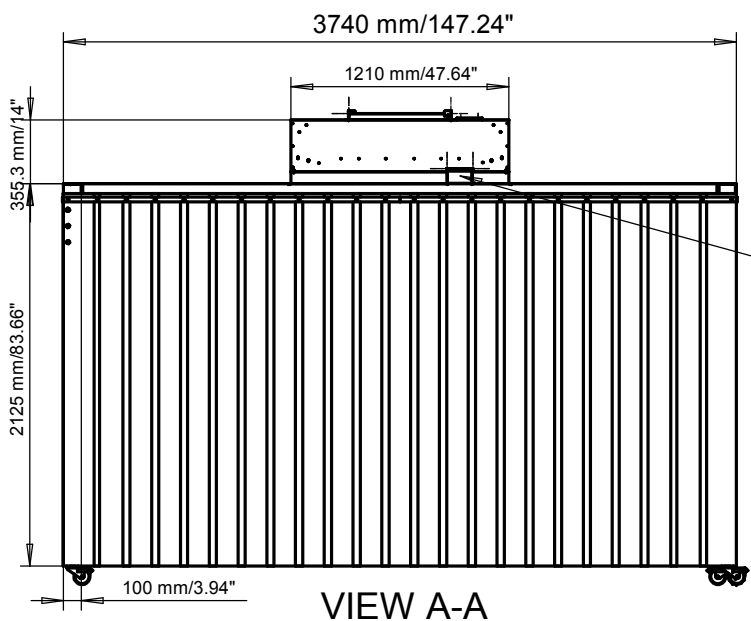
"PLEASE READ DISCLAIMER SIGNATURE OF APPROVAL"

Esco requires a signature of approval before we can proceed with design and fabrication. Carefully review the submittal package (project specifications and drawings) and sign below. Contact Esco immediately if there are any to or concerns about submittal package. Any revisions after receipt of the initial submittal package may result in a pricing change. Any revisions after the final approval will result in an additional charge.

Customer Signature of Approval:

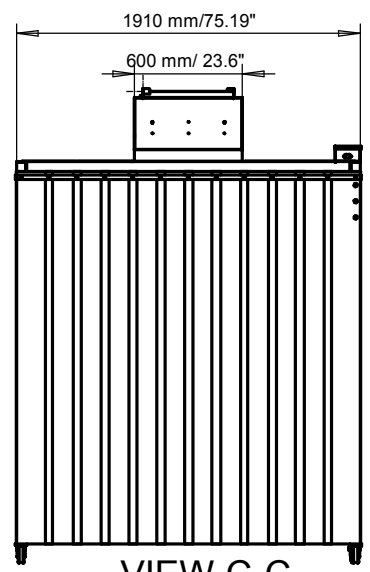
Part	Drawing number item reference	Part or assembly group name	Standard	Shape, Dimension Designation	Quality	Qty
NOTE			THIRD ANGLE VIEW	DIMENSION : mm	SCALE 1:25	DATE 2008-05-13
General Tolerances :			STL/SC-6127-MS.5			
"These drawings and specifications are the exclusive property of Esco. Issued in strict confidence and shall not, without the prior written permission of Esco, be reproduced"			Dimension 6' x 12' x 7' (height)			
APPROVAL			CHECKED BY	DESIGNED BY	DRAWN BY	
PAPER SIZE A3			2008-05-13		ling	
Project: STL/SC-6127-MS.5			Product: Soft Capsule (TM) Soft Wall Cleanroom			ISO Class 7



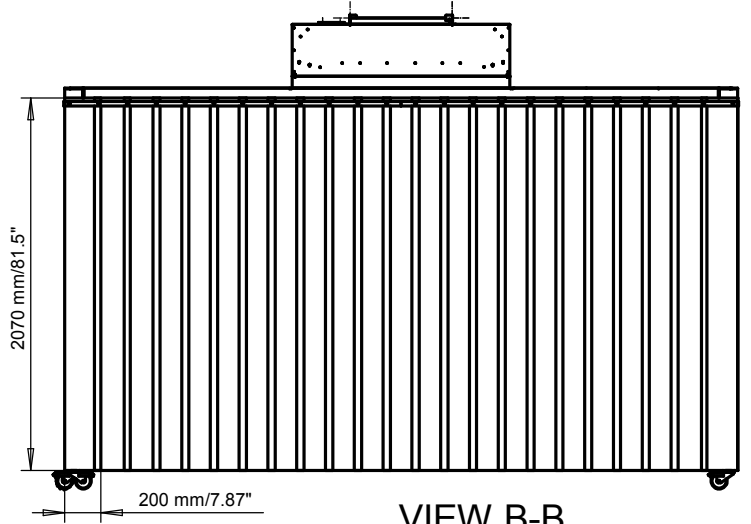


VIEW A-A

ELEVATION VIEW

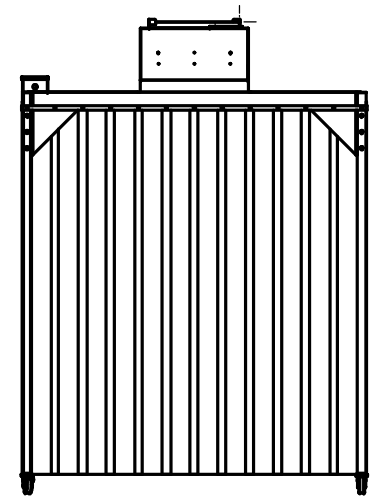


VIEW C-C



VIEW B-B

NOTES :
Curtain Dimension : 2070mm/81.5"x200mm/7.87"



VIEW D-D

"PLEASE READ DISCLAIMER SIGNATURE OF APPROVAL"
Esco requires a signature of approval before we can proceed with design and fabrication. Carefully review the submittal package (project specifications and drawings) and sign below. Contact Esco immediately if there are any typos or concerns about submittal package. Any revisions after receipt of the initial submittal package may result in a pricing change. Any revisions after the final approval will result in an additional charge.

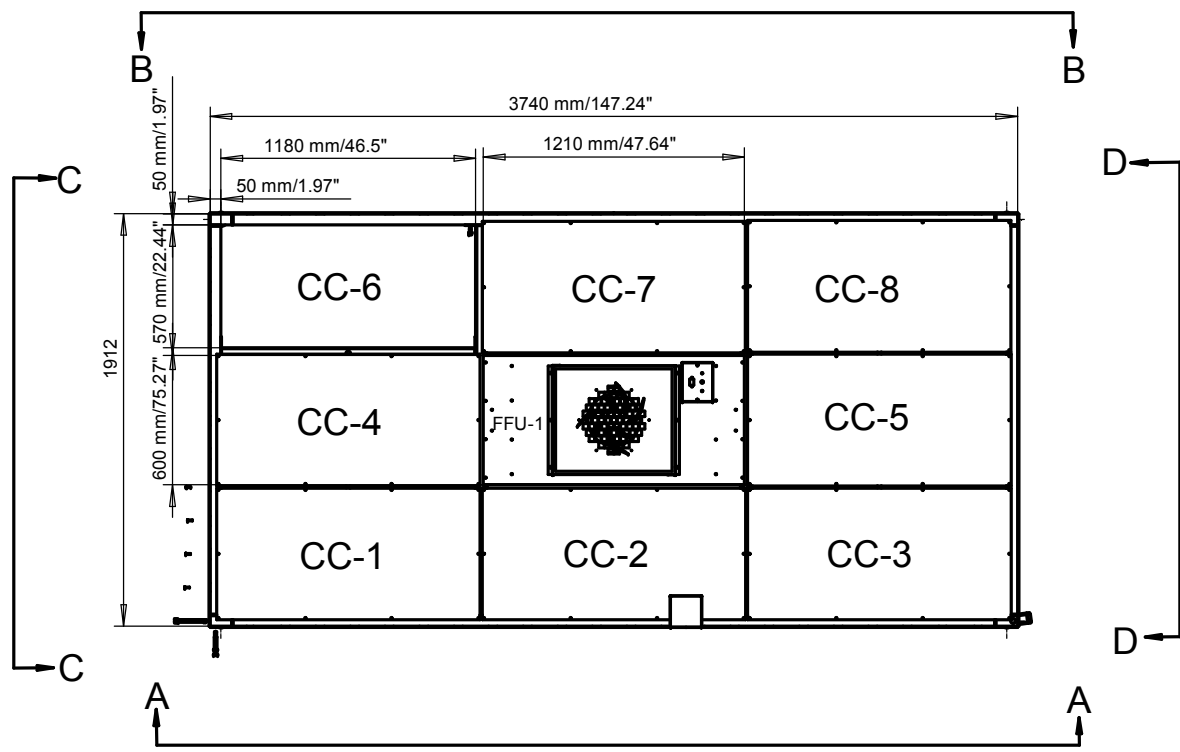
Customer Signature of Approval:

Part	Drawing number item reference	Part or assembly group name	Standard	Shape, Dimension Designation	Quality	Qty
NOTE			THIRD ANGLE VIEW	DIMENSION : mm	SCALE 1:25	DATE 2008-05-13
General Tolerances :			STL/SC-6127-MS.5			
			Dimension 6' x 12' x 7' (Height)			
			CS6127_MS5h			
APPROVAL		CHECKED BY	DESIGNED BY	DRAWN BY		
			2008-05-13	ling		
Project: STL/SC-6127-MS.5			Product: Soft Capsule (TM) Soft Hall Classroom			ISO Class 7



PAPER SIZE
A3





PLAN VIEW

NOTES :

ISO Class 7* - Class 10000

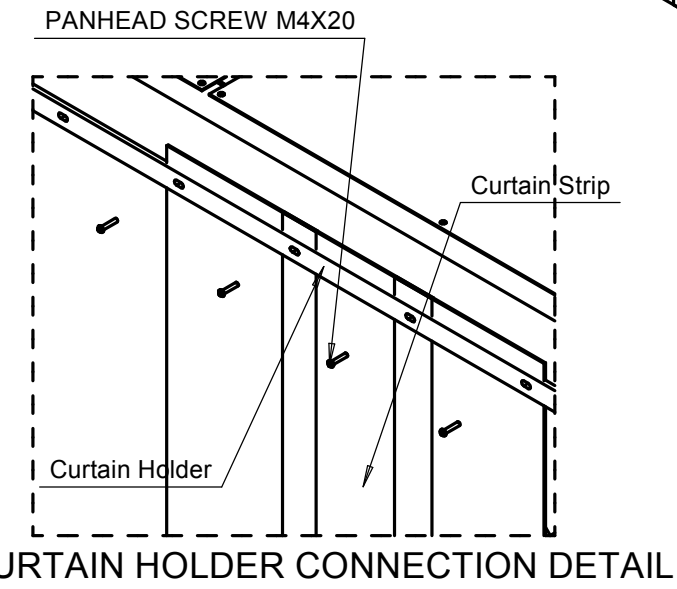
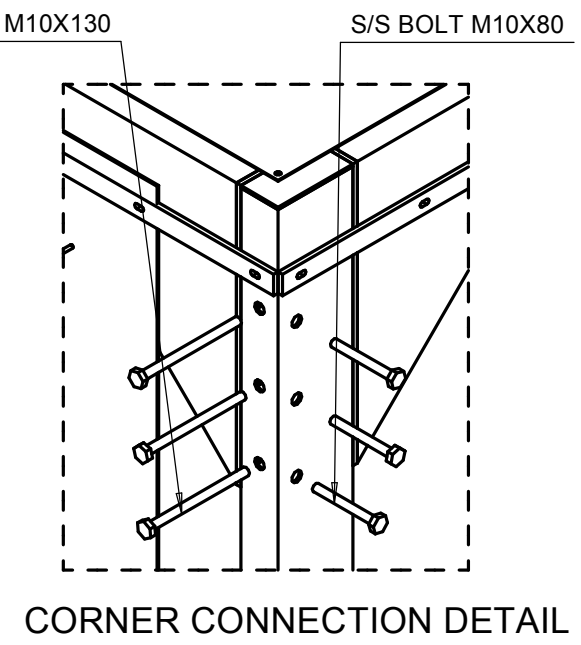
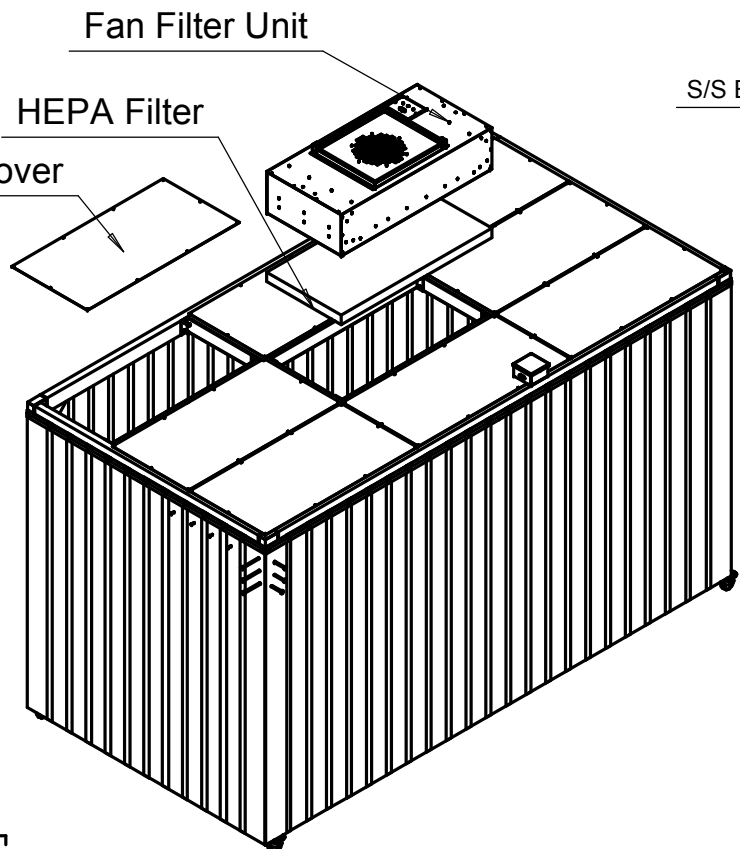
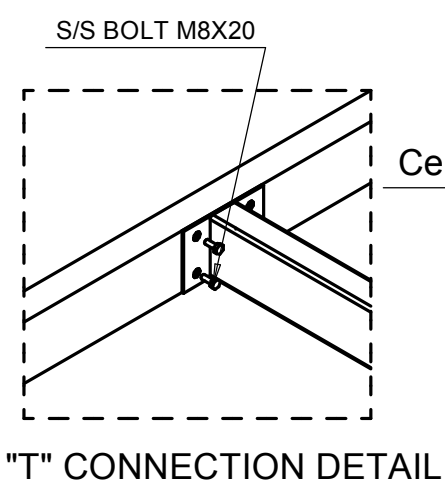
- (1) FFU 2'x4' AND HEPA 2'x4'
- 1. (FFU-1) Fan filter Unit - 2'x4' and HEPA 2'x4'
- (8) CEILING COVER
- 1. (CC-1) Ceiling Cover - 2'x4'
- 2. (CC-2) Ceiling Cover - 2'x4'
- 3. (CC-3) Ceiling Cover - 2'x4'
- 4. (CC-4) Ceiling Cover - 2'x4'
- 5. (CC-5) Ceiling Cover - 2'x4'
- 6. (CC-6) Ceiling Cover - 2'x4'
- 7. (CC-7) Ceiling Cover - 2'x4'
- 8. (CC-8) Ceiling Cover - 2'x4'

"PLEASE READ DISCLAIMER SIGNATURE OF APPROVAL"

Esco requires a signature of approval before we can proceed with design and fabrication. Carefully review the submittal package (project specifications and drawings) and sign below. Contact Esco immediately if there are any to or concerns about submittal package. Any revisions after receipt of the initial submittal package may result in a pricing change. Any revisions after the final approval will result in an additional charge.

Customer Signature of Approval:

Part	Drawing number item reference	Part or assembly group name	Standard	Shape, Dimension Designation	Quality	Qty
			THIRD ANGLE VIEW	DIMENSION : mm	SCALE 1:25	DATE 2008-05-13
NOTE			General Tolerances :			
			STL/SC-6127-M5.5			
			Dimension 6' x 12' x 7' (Height)			
			CS6127_M55g			
APPROVAL		CHECKED BY	DESIGNED BY	DRAWN BY		
			2008-05-13	ling		
		PAPER SIZE A3				
		Project: STL/SC-6127-M5.5		Product: Soft Capsule (TM) Soft Hall Cleanroom		ISO Class 7



FFU AND CEILING COVER CONNECTION DETAIL

"PLEASE READ DISCLAIMER SIGNATURE OF APPROVAL"

Esco requires a signature of approval before we can proceed with design and fabrication. Carefully review the submittal package (project specifications and drawings) and sign below. Contact Esco immediately if there are any to or concerns about submittal package. Any revisions after receipt of the initial submittal package may result in a pricing change. Any revisions after the final approval will result in an additional charge.

Customer Signature of Approval:

Part	Drawing number	Item reference	Part or assembly group name	Standard	Shape	Dimension	Designation	Quality	Qty	
NOTE				THIRD ANGLE VIEW	DIMENSION	mm	SCALE	1:25	DATE	2008-05-13
General Tolerances :				STL/SC-6127-M5.5						
				Dimension 6' x 12' x 7' (Height)						
				CS6127_M551						
APPROVAL			CHECKED BY	DESIGNED BY		DRAWN BY				
				2008-05-13		ling				
				Project: STL/SC-6127-M5.5			Product's Self-Capable (TM) Self-Mill Clearroom		ISO Class 7	



PAPER SIZE
A3

