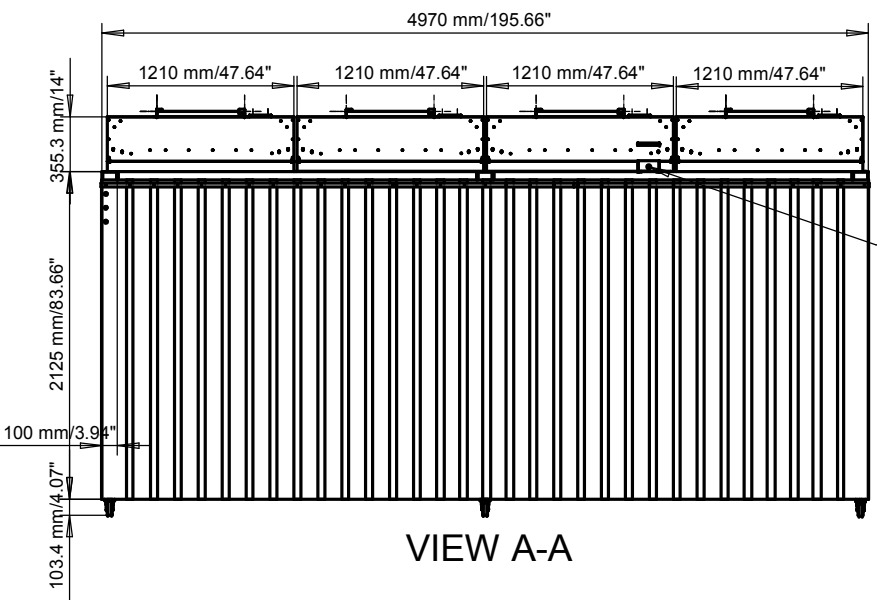


**ISOMETRIC VIEW**

**"PLEASE READ DISCLAIMER SIGNATURE OF APPROVAL"**  
 Esco requires a signature of approval before we can proceed with design and fabrication. Carefully review the submittal package (project specifications and drawings) and sign below. Contact Esco immediately if there are any to or concerns about submittal package. Any revisions after receipt of the initial submittal package may result in a pricing change. Any revisions after the final approval will result in an additional charge.  
 Customer Signature of Approval:

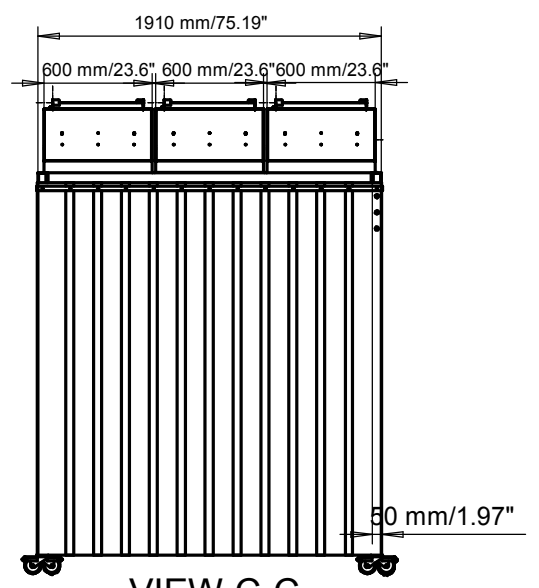
Part	Drawing number, item reference	Part or assembly group name	Standard	Shape, Dimension Designation	Quality	Qty
			THIRD ANGLE VIEW	SCALE 1:15	DATE	
NOTE						
General Tolerances :						
ST/SC-4167-AB.5						
Dimension 6' x 16' x 7' (Height)						
SC6167_Assembly.c						
APPROVAL			CHECKED BY	DESIGNED BY	DRAWN BY	
				2008-07-09		
"These drawings and specifications are the exclusive property of Esco, issued in strict confidence and shall, not, without the prior written permission of Esco, be reproduced"						
PAPER SIZE		A3		ESCO		WORLD CLASS WORKFLOW
Project: ST/SC-4167-AB.5		Product: Split Ceiling (TM Split Wall Closure)		150		Class 5



Control Box

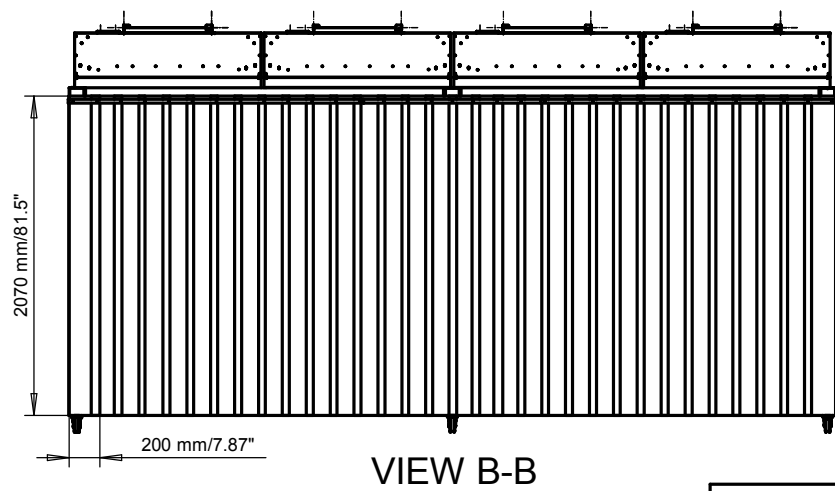
VIEW A-A

ELEVATION VIEW

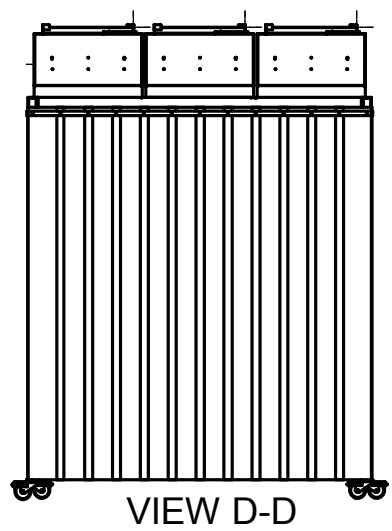


VIEW C-C

NOTES :  
Curtain Dimension : 2070mm/81.5"x200mm/7.87"



VIEW B-B



VIEW D-D

"PLEASE READ DISCLAIMER SIGNATURE OF APPROVAL"  
Esco requires a signature of approval before we can proceed with design and fabrication. Carefully review the submittal package (project specifications and drawings) and sign below. Contact Esco immediately if there are any to or concerns about submittal package. Any revisions after receipt of the initial submittal package may result in a pricing change. Any revisions after the final approval will result in an additional charge.

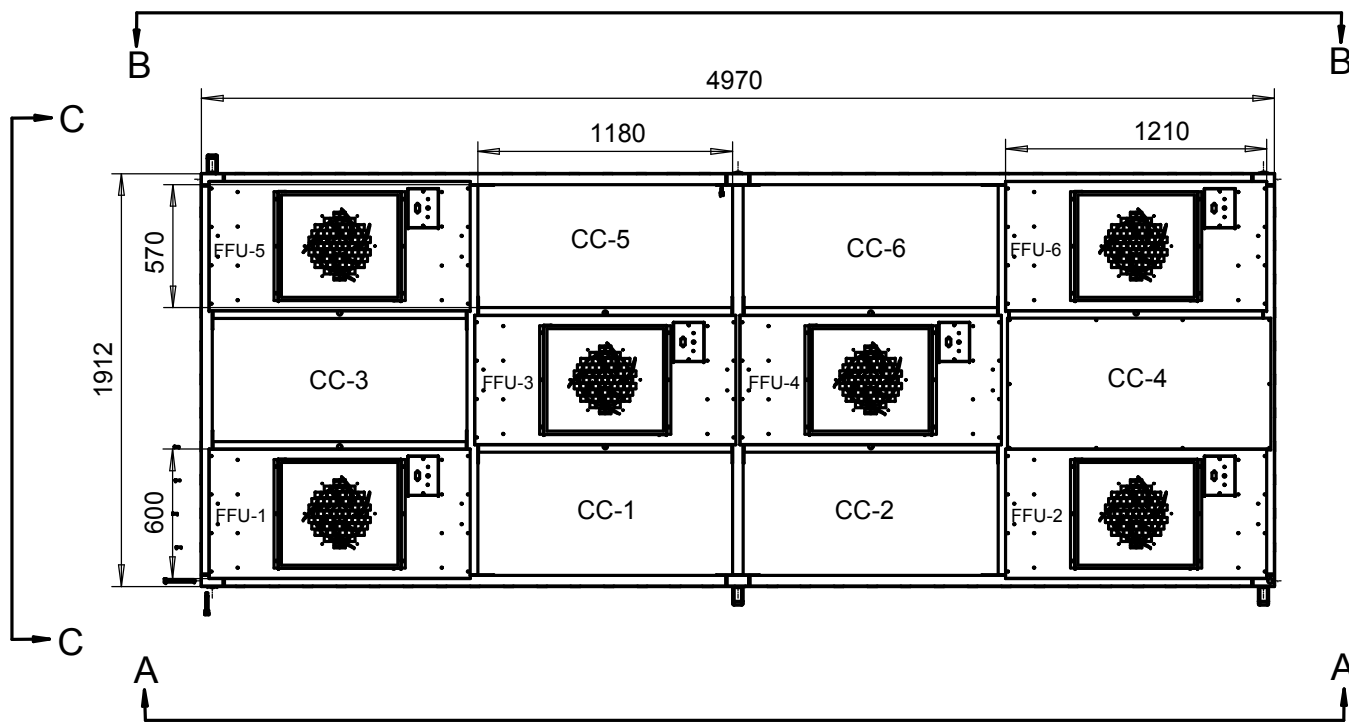
Customer Signature of Approval:

Part	Drawing number item reference	Part or assembly group name	Standard	Shape, Dimension Designation	Quality	Qty
NOTE			THIRD ANGLE VIEW	DIMENSION : mm	SCALE 1:25	DATE 2007-04-02
General Tolerances :			STL/SC-6167-4B.5			
"These drawings and specifications are the exclusive property of Esco. Issued in strict confidence and shall not, without the prior written permission of Esco, be reproduced"			Dimension 6' x 16' x 7' (Height)			
			SC6167_Assemblye			
APPROVAL		CHECKED BY	DESIGNED BY	DRAWN BY		
			2007-04-02	ling		
Project: STL/SC-6167-4B.5			Product: Soft Capsule (TM) Soft Hall Classroom			ISO Class 5



PAPER SIZE  
A3





**PALN VIEW**

**NAOTES :**  
**ISO Class 5\* - Class 100**

(6) FFU 2'x4' AND HEPA 2'x4'

1. (FFU-1) fan filter Unit - 2'x4' and HEPA 2'x4'
2. (FFU-2) fan filter Unit - 2'x4' and HEPA 2'x4'
3. (FFU-3) fan filter Unit - 2'x4' and HEPA 2'x4'
4. (FFU-4) fan filter Unit - 2'x4' and HEPA 2'x4'
5. (FFU-5) fan filter Unit - 2'x4' and HEPA 2'x4'
6. (FFU-6) fan filter Unit - 2'x4' and HEPA 2'x4'

(6) CEILING COVER

1. (CC-1) Ceiling Cover - 2'x4'
2. (CC-2) Ceiling Cover - 2'x4'
3. (CC-3) Ceiling Cover - 2'x4'
4. (CC-4) Ceiling Cover - 2'x4'
5. (CC-5) Ceiling Cover - 2'x4'
6. (CC-6) Ceiling Cover - 2'x4'

**"PLEASE READ DISCLAIMER SIGNATURE OF APPROVAL"**

Esco requires a signature of approval before we can proceed with design and fabrication. Carefully review the submittal package (project specifications and drawings) and sign below. Contact Esco immediately if there are any to or concerns about submittal package. Any revisions after receipt of the initial submittal package may result in a pricing change. Any revisions after the final approval will result in an additional charge.

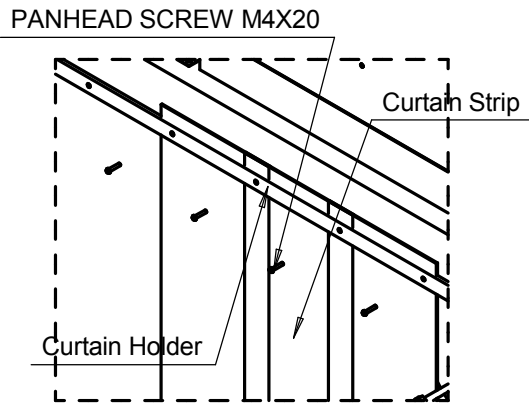
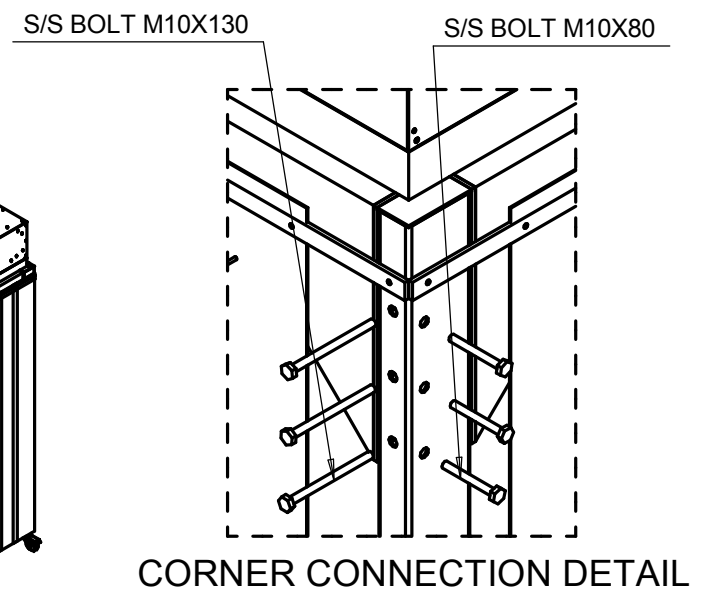
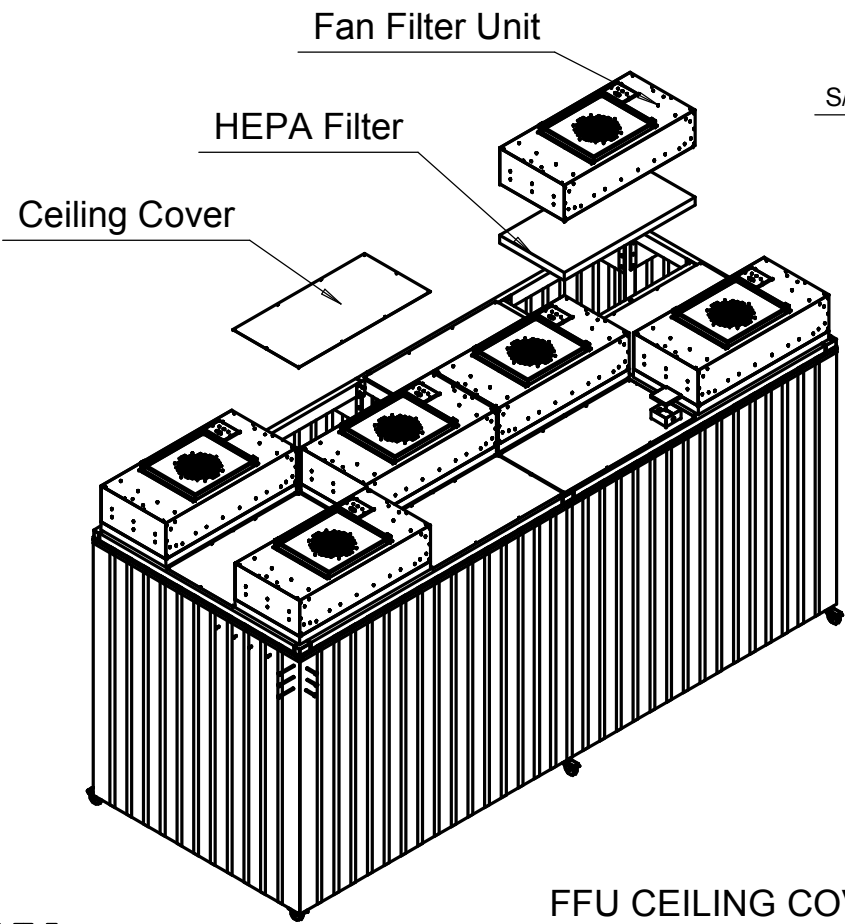
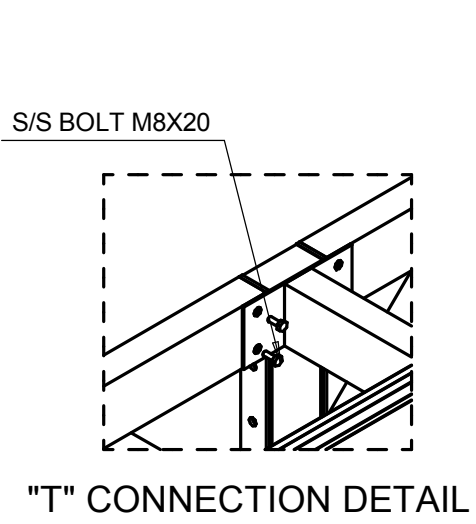
Customer Signature of Approval:

Part	Drawing number item reference	Part or assembly group name	Standard	Shape, Dimension Designation	Quality	Qty
NOTE			THIRD ANGLE VIEW	DIMENSION : mm	SCALE 1:25	DATE 2007-04-02
General Tolerances :			STL/SC-6167-4B.5			
			Dimension 6' x 16' x 7' (height)			
			SC6167_Assemblyd			
APPROVAL		CHECKED BY	DESIGNED BY		DRAWN BY	
			2007-04-02		ling	
Project: STL/SC-6167-4B.5			Product: Soft Capsule (TM) Soft Wall Cleanroom			ISO Class 5



PAPER SIZE  
A3





"PLEASE READ DISCLAIMER SIGNATURE OF APPROVAL"

Esco requires a signature of approval before we can proceed with design and fabrication. Carefully review the submittal package (project specifications and drawings) and sign below. Contact Esco immediately if there are any to or concerns about submittal package. Any revisions after receipt of the initial submittal package may result in a pricing change. Any revisions after the final approval will result in an additional charge.

Customer Signature of Approval:

Part	Drawing number / item reference	Part or assembly group name	Standard	Shape, Dimension Designation	Quality	Qty
NOTE			THIRD ANGLE VIEW	DIMENSION, mm	SCALE	1/25
General Tolerances :						DATE
						2007-04-02
			<b>STL/SC-6167-M3.5</b>			
			<b>Dimension 6' x 16' x 7' (Height)</b>			
			<b>SC6167_Assemblyf</b>			
APPROVAL	CHECKED BY	DESIGNED BY	DRAWN BY			
		2007-04-02	ling			
Project: STL/SC-6167-M3.5			Product: Soft Capable (TM) Soft Wall Cleanroom			ISO Class 5

