

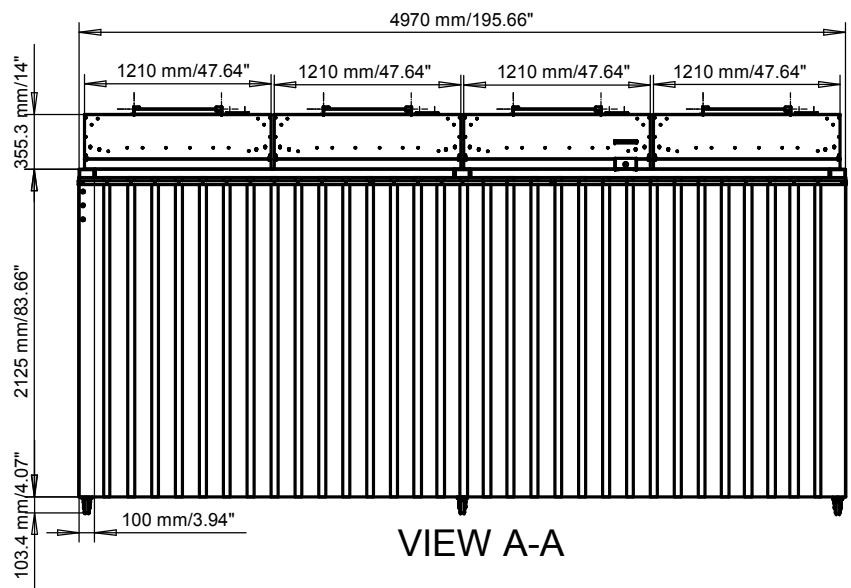
ISOMETRIC VIEW

"PLEASE READ DISCLAIMER SIGNATURE OF APPROVAL"

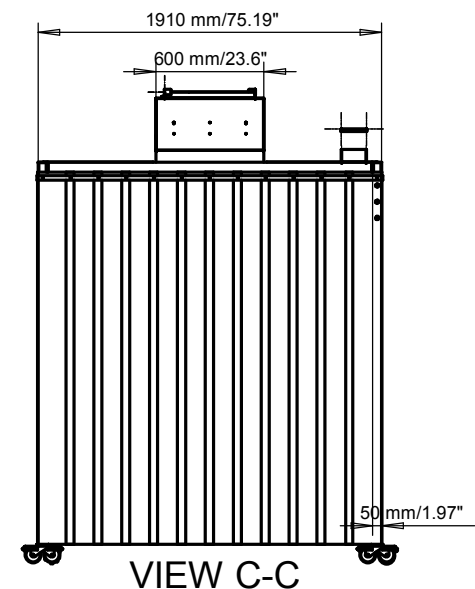
Esco requires a signature of approval before we can proceed with design and fabrication. Carefully review the submittal package (project specifications and drawings) and sign below. Contact Esco immediately if there are any to or concerns about submittal package. Any revisions after receipt of the initial submittal package may result in a pricing change. Any revisions after the final approval will result in an additional charge.

Customer Signature of Approval:

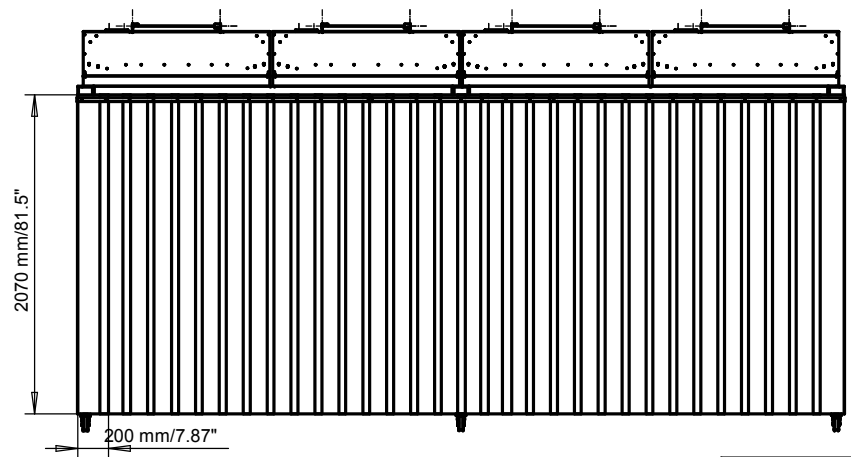
Part	Drawing number item reference	Part or assembly group name	Standard	Shape, Dimension Designation	Quality	Qty
NOTE			THIRD ANGLE VIEW	DIMENSION : mm	SCALE 1:25	DATE 2007-04-02
General Tolerances :			STL/SC-6167-M.5			
			Dimension 6' x 16' x 7' (Height)			
			CS6167_M.5c			
APPROVAL		CHECKED BY	DESIGNED BY	DRAWN BY		
			2007-04-02	ling		
PAPER SIZE A3				Project: STL/SC-6167-M.5		
				Product: Soft Capsule (TM) Soft Wall Cleanroom		ISO Class 4



VIEW A-A



VIEW C-C

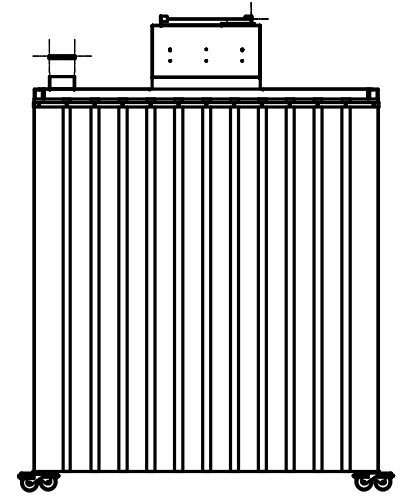


VIEW B-B

ELEVATION VIEW

NOTES

Curtain Dimension :2070mm/81.5"x200mm/7.87"



VIEW D-D

"PLEASE READ DISCLAIMER SIGNATURE OF APPROVAL"

Esco requires a signature of approval before we can proceed with design and fabrication. Carefully review the submittal package (project specifications and drawings) and sign below. Contact Esco immediately if there are any to or concerns about submittal package. Any revisions after receipt of the initial submittal package may result in a pricing change. Any revisions after the final approval will result in an additional charge.

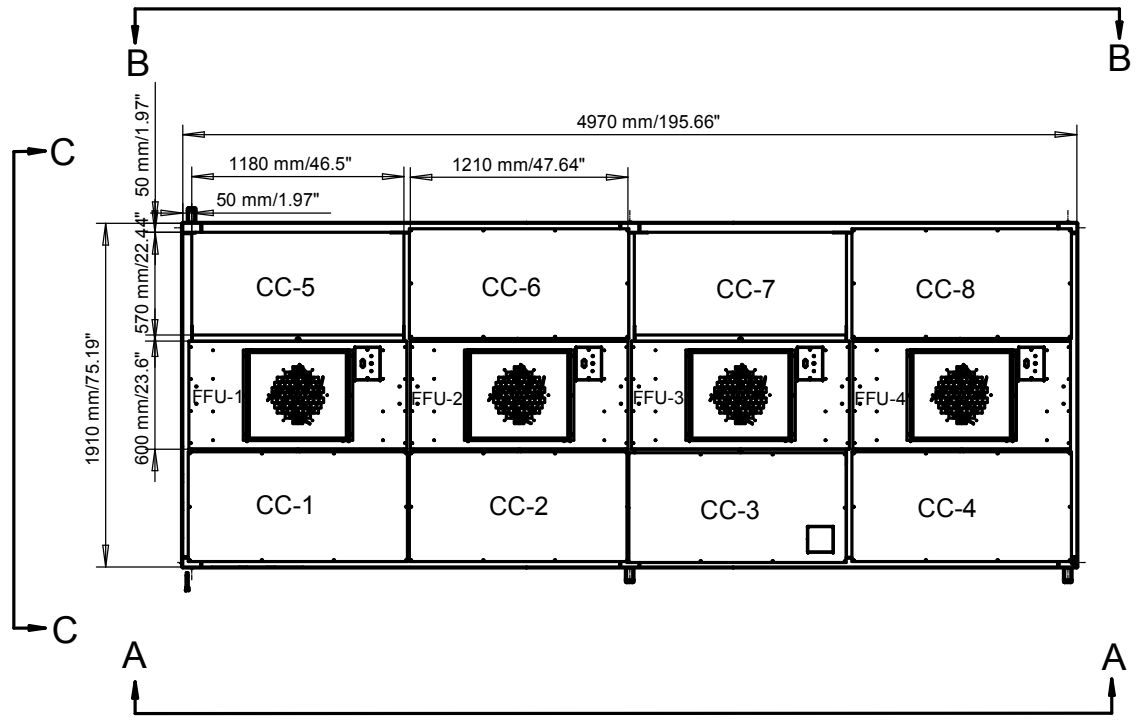
Customer Signature of Approval:

Part	Drawing number Item reference	Part or assembly group name	Standard	Shape, Dimension Designation	Quality
NOTE			THIRD ANGLE VIEW	DIMENSION : mm	SCALE 1:25 DATE 2007-04
General Tolerances :			STL/SC-6167-MH.5		
			Dimension 6' x 16' x 7' (Height)		
			CS6167_M5e		
APPROVAL		CHECKED BY	DESIGNED BY	DRAWN BY	
			ling		
Project: STL/SC-6167-MH.5			Product: Soft Capsule (TM) Soft Wall Elevator		



PAPER SIZE
A3





PLAN VIEW

NOTES :

ISO Class 6* - Class 1000

(3) FFU 2'x4' AND HEPA 2'x4'

1. (FFU-1) Fan Filter Unit - 2'x4' and HEPA 2'x4'
2. (FFU-2) Fan Filter Unit - 2'x4' and HEPA 2'x4'
3. (FFU-3) Fan Filter Unit - 2'x4' and HEPA 2'x4'
4. (FFU-4) Fan Filter Unit - 2'x4' and HEPA 2'x4'

(8) CEILING COVER

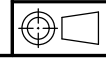
1. (CC-1) Ceiling Cover - 2'x4'
2. (CC-2) Ceiling Cover - 2'x4'
3. (CC-3) Ceiling Cover - 2'x4'
4. (CC-4) Ceiling Cover - 2'x4'
5. (CC-5) Ceiling Cover - 2'x4'
6. (CC-6) Ceiling Cover - 2'x4'
7. (CC-7) Ceiling Cover - 2'x4'
8. (CC-8) Ceiling Cover - 2'x4'

"PLEASE READ DISCLAIMER SIGNATURE OF APPROVAL"

Esco requires a signature of approval before we can proceed with design and fabrication. Carefully review the submittal package (project specifications and drawings) and sign below. Contact Esco immediately if there are any to or concerns about submittal package. Any revisions after receipt of the initial submittal package may result in a pricing change. Any revisions after the final approval will result in an additional charge.

Customer Signature of Approval:

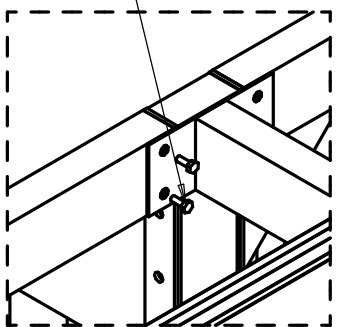
Part	Drawing number	Item reference	Part or assembly group name	Standard	Shape, Dimension	Designation	Quality
NOTE				THIRD ANGLE VIEW	DIMENSION : mm	SCALE	1:25
General Tolerances :						DATE	2007-04
These drawings and specifications are the exclusive property of Esco, issued in strict confidence and shall not, without the prior written permission of Esco, be reproduced				STL/SC-6167-M.5			
				Dimension 6' x 16' x 7' (Height)			
				CS6167_M5d			
APPROVAL		CHECKED BY		DESIGNED BY		DRAWN BY	
				ling			
Project: STL/SC-6167-M.5				Product: Self Capsule (TM) Soft Wall Cleanroom			



PAPER SIZE
A3



S/S BOLT M8X20

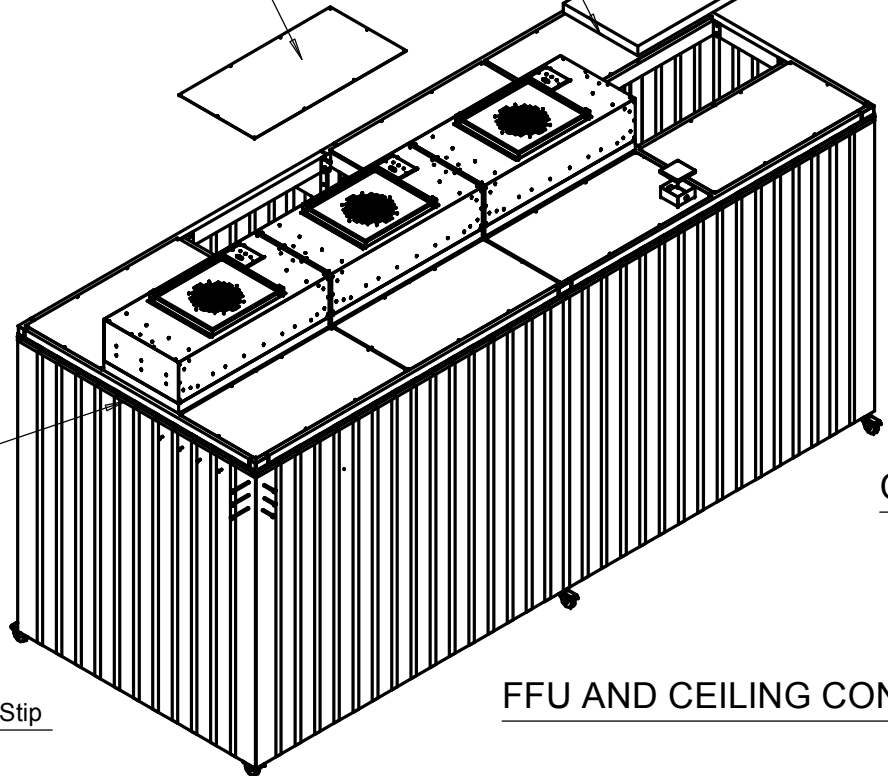


"T" CONNECTION DETAIL

Fan Filter Unit

HEPA Filter

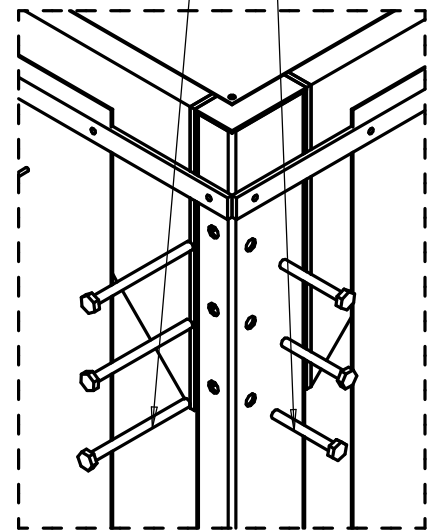
Ceiling Cover



FFU AND CEILING CONNECTION DETAIL

S/S BOLT M10X130

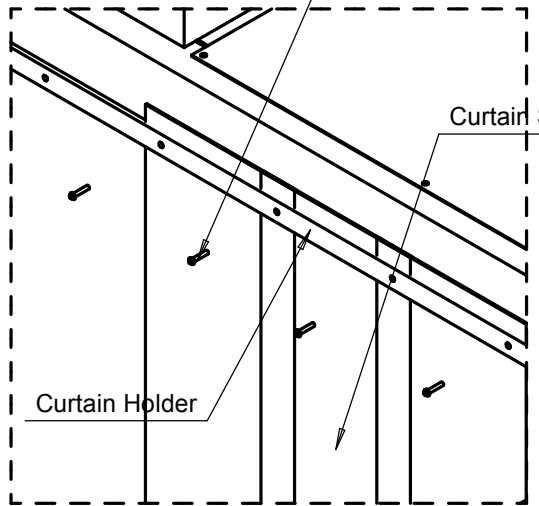
S/S BOLT M10X80



CORNER CONNECTION DETAIL

Curtain Holder

PANHEAD SCREW M4X20



CURTAIN HOLDER CONNECTION DETAIL

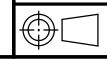
Curtain Stip

"PLEASE READ DISCLAIMER SIGNATURE OF APPROVAL"

Esco requires a signature of approval before we can proceed with design and fabrication. Carefully review the submittal package (project specifications and drawings) and sign below. Contact Esco immediately if there are any typos or concerns about submittal package. Any revisions after receipt of the initial submittal package may result in a pricing change. Any revisions after the final approval will result in an additional charge.

Customer Signature of Approval:

Part	Drawing number / item reference	Part or assembly group name	Standard	Shape, Dimension Designation	Quality	Qty
NOTE			THIRD ANGLE VIEW	DIMENSION : mm	SCALE 1:25	DATE 2007-04-02
General Tolerances :			STL/SC-6167-M.5			
			Dimension 6' x 16' x 7' (Height)			
			CS6167_M45F			
APPROVAL		CHECKED BY	DESIGNED BY	DRAWN BY		
			ling			
Project: STL/SC-6167-M.5			Product: Soft Capsule (TM) Soft Wall Classroom			ISO Class 6



PAPER SIZE A3

