

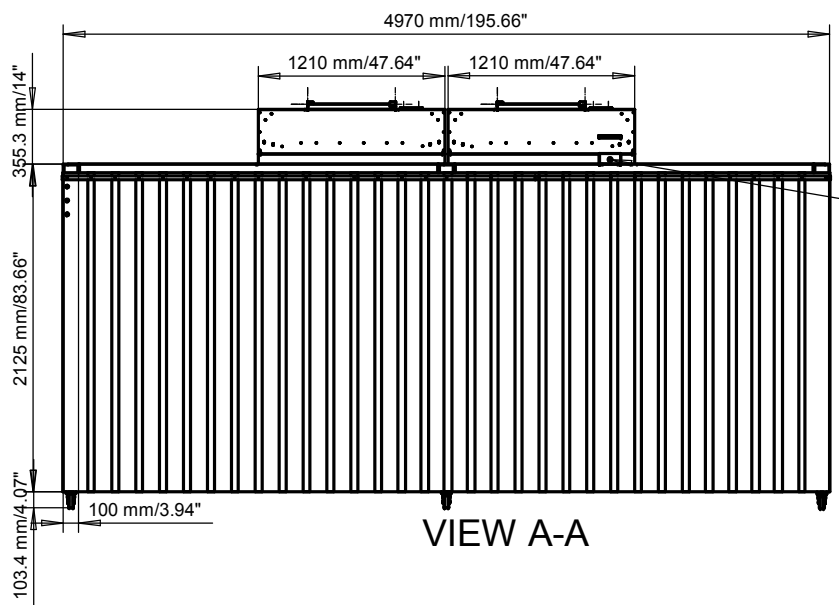
ISOMETRIC VIEW

"PLEASE READ DISCLAIMER SIGNATURE OF APPROVAL"

Esco requires a signature of approval before we can proceed with design and fabrication. Carefully review the submittal package (project specifications and drawings) and sign below. Contact Esco immediately if there are any to or concerns about submittal package. Any revisions after receipt of the initial submittal package may result in a pricing change. Any revisions after the final approval will result in an additional charge.

Customer Signature of Approval:

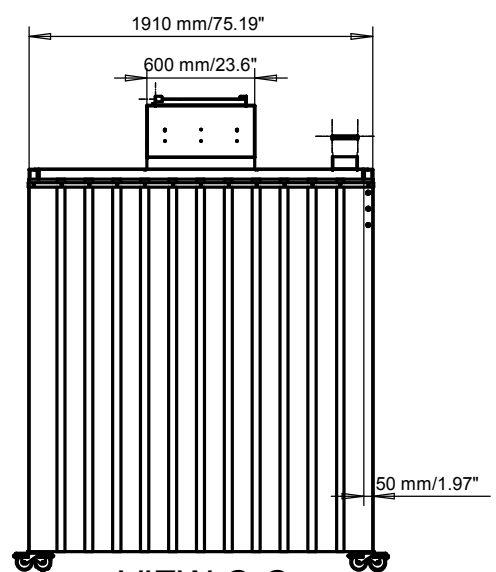
Part	Drawing number item reference	Part or assembly group name	Standard	Shape, Dimension Designation	Quality	Qty
NOTE			THIRD ANGLE VIEW	DIMENSION : mm	SCALE 1:25	DATE 2007-04-02
General Tolerances :			STL/SC-6167-M5.5			
"These drawings and specifications are the exclusive property of Esco. Issued in strict confidence and shall not, without the prior written permission of Esco, be reproduced"			Dimension 6' x 16' x 7' (Height)			
Customer Signature of Approval:			SC6167_M55c			
APPROVAL		CHECKED BY	DESIGNED BY	DRAWN BY		
[Signature]			2007-04-02	ling		
PAPER SIZE A3				Project: STL/SC-6167-M5.5		
				Product: Soft Capsule (TM) Soft Hall Cleanroom		ISO Class 7



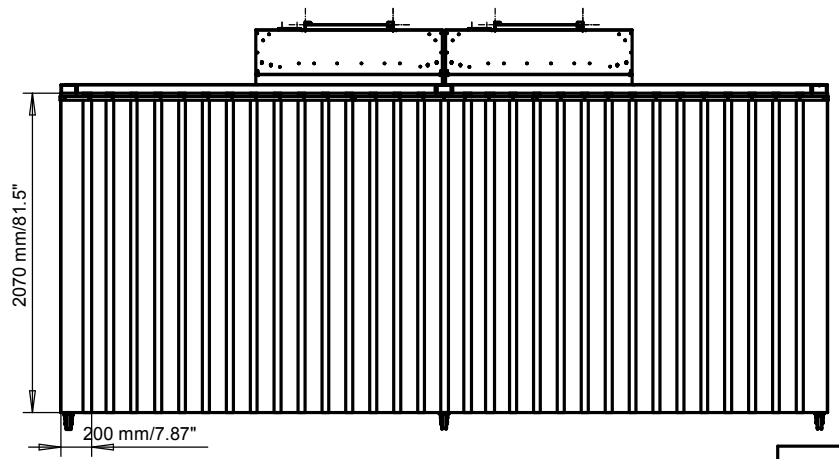
VIEW A-A

Control Box

ELEVATION VIEW



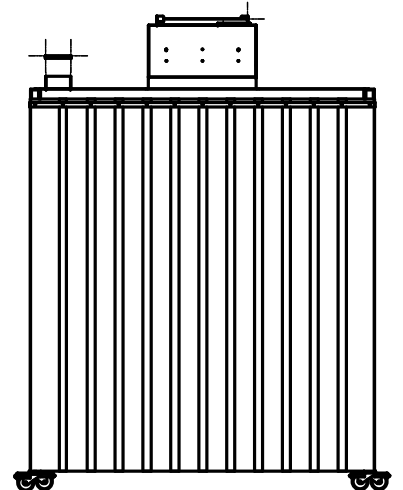
VIEW C-C



VIEW B-B

NOTES :

Curtain Dimension : 2070mm/81.5"x200mm/7.87"

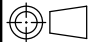



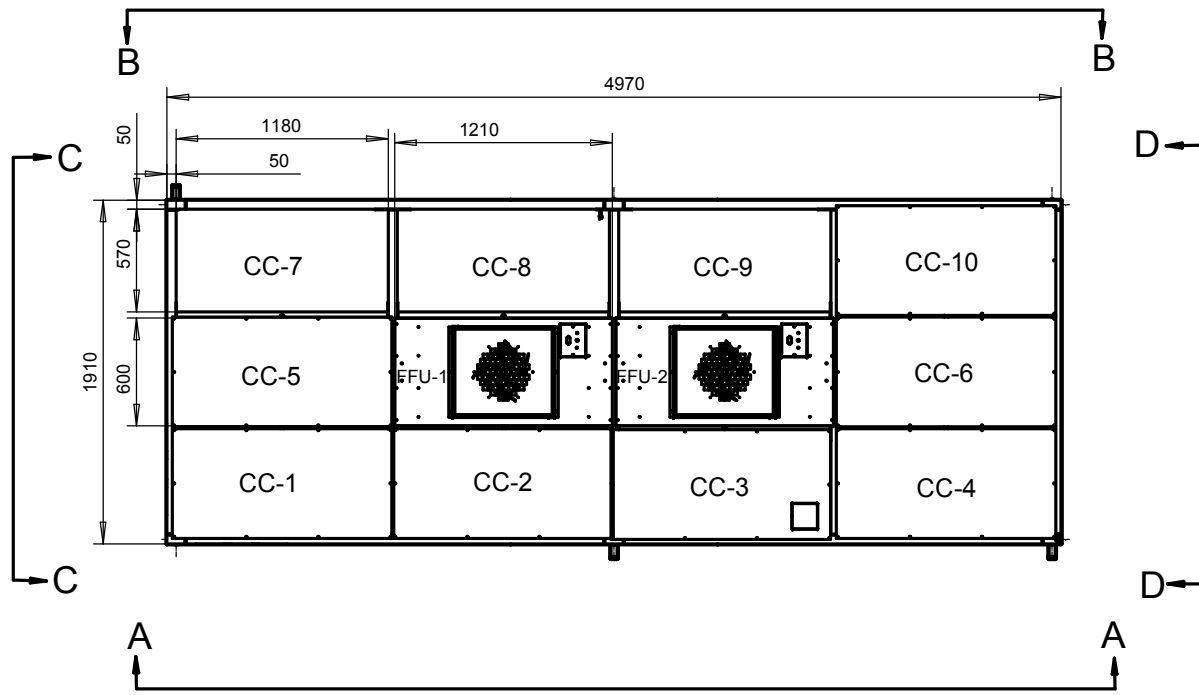
VIEW D-D

"PLEASE READ DISCLAIMER SIGNATURE OF APPROVAL"

Esco requires a signature of approval before we can proceed with design and fabrication. Carefully review the submittal package (project specifications and drawings) and sign below. Contact Esco immediately if there are any to or concerns about submittal package. Any revisions after receipt of the initial submittal package may result in a pricing change. Any revisions after the final approval will result in an additional charge.

Customer Signature of Approval:

Part	Drawing number item reference	Part or assembly group name	Standard	Shape, Dimension Designation	Quality	Qty
NOTE			THIRD ANGLE VIEW	DIMENSION : mm	SCALE 1:25	DATE 2007-04-02
General Tolerances :			STL/SC-6167-M5.5			
"These drawings and specifications are the exclusive property of Esco. Issued in strict confidence and shall not, without the prior written permission of Esco, be reproduced"			Dimension 6' x 16' x 7' (Height)			
APPROVAL			CHECKED BY	DESIGNED BY	DRAWN BY	
 PAPER SIZE A3			 WORLD CLASS, WORLDWIDE.		2007-04-02 ling	
Project: STL/SC-6167-M5.5			Product: Soft Capsule (TM) Soft Hall Classroom			ISO Class 7



PLAN VIEW

**NOTES :**

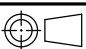
**ISO Class 7\* - Class 10.000**

- (2) FFU 2'x4' AND HEPA 2'x4'
- 1. (FFU-1) Fan Filter Unit - 2'x4' and HEPA 2'x4'
- 2. (FFU-2) Fan Filter Unit - 2'x4' and HEPA 2'x4'
- (10) CEILING COVER
- 1. (CC-1) Ceiling Cover - 2'x4'
- 2. (CC-2) Ceiling Cover - 2'x4'
- 3. (CC-3) Ceiling Cover - 2'x4'
- 4. (CC-4) Ceiling Cover - 2'x4'
- 5. (CC-5) Ceiling Cover - 2'x4'
- 6. (CC-6) Ceiling Cover - 2'x4'
- 7. (CC-7) Ceiling Cover - 2'x4'
- 8. (CC-8) Ceiling Cover - 2'x4'
- 9. (CC-9) Ceiling Cover - 2'x4'
- 10. (CC-10) Ceiling Cover - 2'x4'

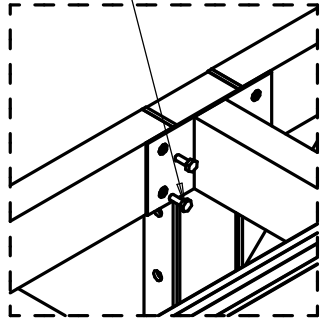
"PLEASE READ DISCLAIMER SIGNATURE OF APPROVAL"

Esco requires a signature of approval before we can proceed with design and fabrication. Carefully review the submittal package (project specifications and drawings) and sign below. Contact Esco immediately if there are any fo or concerns about submittal package. Any revisions after receipt of the initial submittal package may result in a pricing change. Any revisions after the final approval will result in an additional charge.

Customer Signature of Approval:

Part	Drawing number item reference	Part or assembly group name	Standard	Shape, Dimension Designation	Quality	Qty
NOTE			THIRD ANGLE VIEW	DIMENSION : mm	SCALE 1:25	DATE 2007-04-02
General Tolerances :			STL/SC-6167-M5.5			
			Dimension 6' x 16' x 7' (Height)			
			SC6167_M55d			
APPROVAL		CHECKED BY	DESIGNED BY	DRAWN BY		
			2007-04-02	ling		
Project: STL/SC-6167-M5.5			Product: Soft Capsule (TM) Soft Hall Cleanroom			ISO Class 7

S/S BOLT M8X20

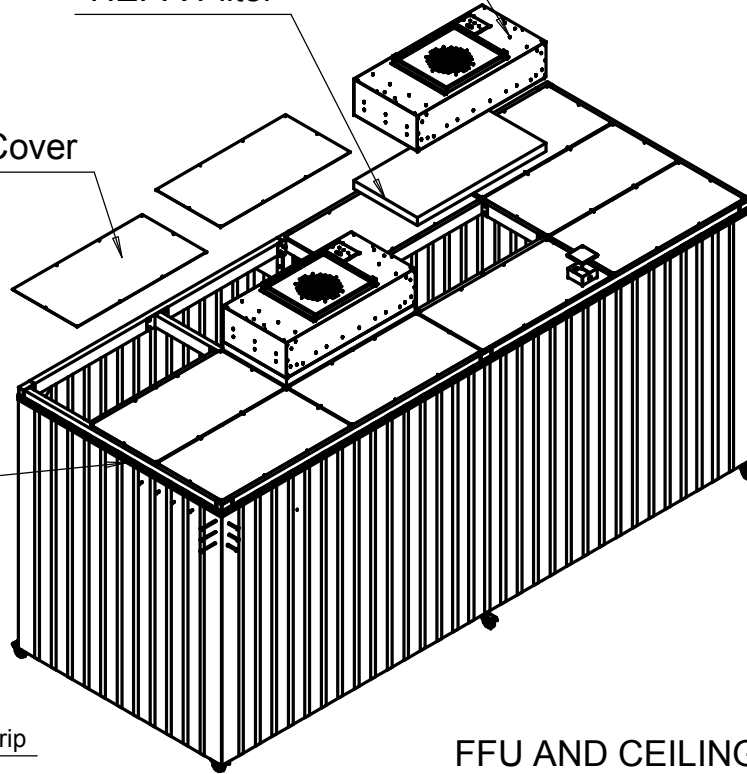


"T" CONNECTION DETAIL

Fan Filter Unit

HEPA Filter

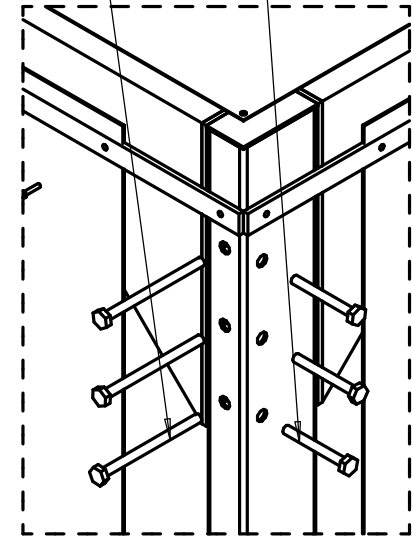
Ceiling Cover



Curtain Holder

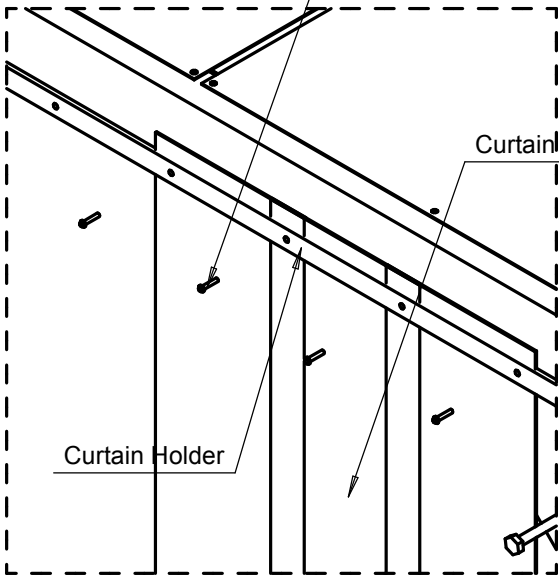
S/S BOLT M10X130

S/S BOLT M10X80



CORNER CONNECTION DETAIL

PANHEAD SCREW M4X20



Curtain Strip

Curtain Holder

CURTAIN HOLDER CONNECTION DETAIL

FFU AND CEILING COVER CONNECTION DETAIL

"PLEASE READ DISCLAIMER SIGNATURE OF APPROVAL"

Esco requires a signature of approval before we can proceed with design and fabrication. Carefully review the submittal package (project specifications and drawings) and sign below. Contact Esco immediately if there are any to or concerns about submittal package. Any revisions after receipt of the initial submittal package may result in a pricing change. Any revisions after the final approval will result in an additional charge.

Customer Signature of Approval:

Part	Drawing number item reference	Part or assembly group name	Standard	Shape, Dimension Designation	Quality	Qty
NOTE			THIRD ANGLE VIEW	DIMENSION : mm	SCALE : 1:25	DATE : 2007-04-02
General Tolerances :			STL/SC-6167-M5.5			
			Dimension 6' x 16' x 7' (Height)			
			SC6167_M55f			
APPROVAL		CHECKED BY	DESIGNED BY	DRAWN BY		
			2007-04-02	ling		
Project: STL/SC-6167-M5.5			Product's Self-Capable (TM) Self-Mill Clearroom			ISO Class 7



PAPER SIZE  
A3

