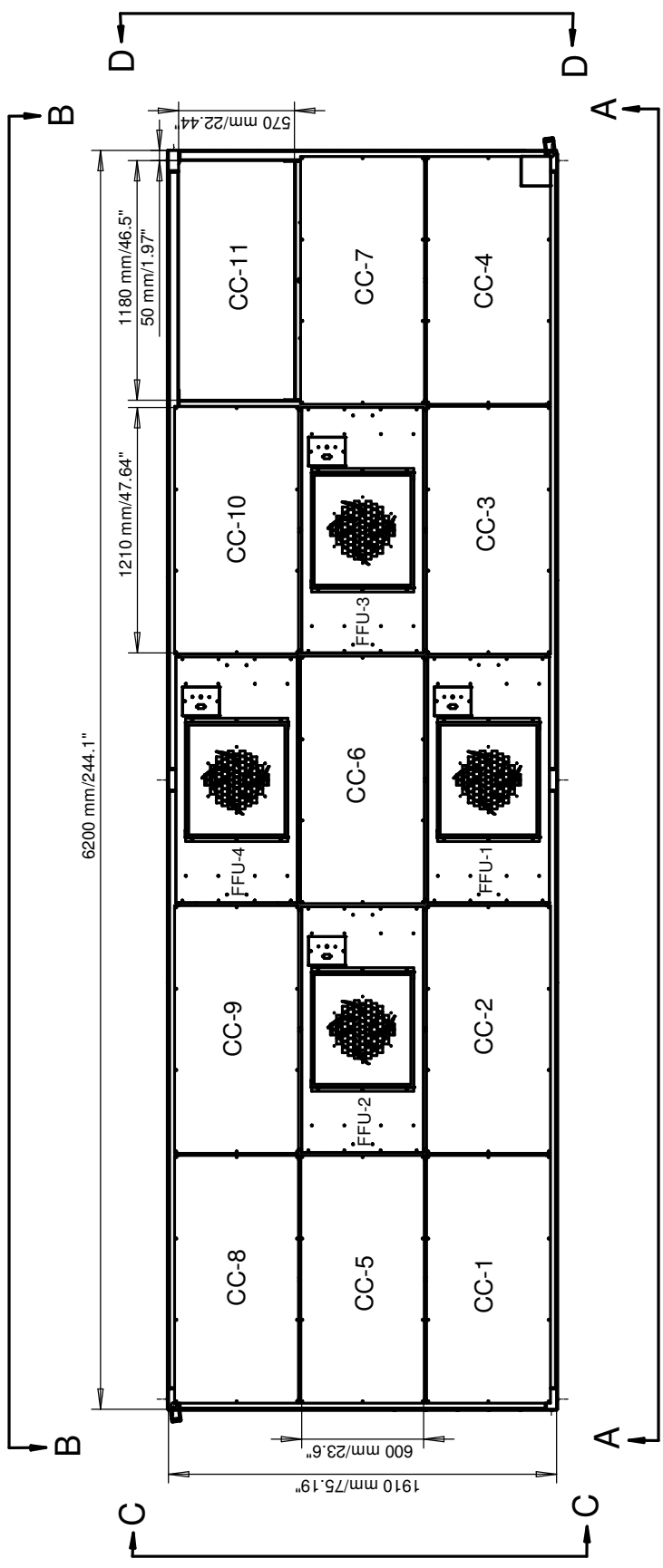


ISOMETRIC VIEW

"PLEASE READ DISCLAIMER SIGNATURE OF APPROVAL"
 Esco requires a signature of approval before we can proceed with design and fabrication. Carefully review the submittal package (project specifications and drawings) and sign below. Contact Esco immediately if there are any questions or concerns about submittal package. Any revisions after receipt of the initial submittal package may result in a pricing change. Any revisions after the final approval will result in an additional charge.
 Customer Signature of Approval: _____

Part	Drawing number / Item reference	Part or assembly group name	Standard	Shape, Dimension Designation	Quantity	Qty
			THIRD ANGLE VIEW	DIMENSION, mm	SCALE	1:15
					DATE	2007-01-31
NOTE General Tolerances : Dimension 6" x 20" x 7" (Height) SC6207-45c APPROVAL CHECKED BY: _____ DESIGNED BY: _____ 2007-01-31 l i n g Product: Split Openair (TM) Split Wall Cleanroom Project: ST/SC-6207-M.5 PAPER SIZE: A3 ESCO WORLD CLASS WORLDWIDE 100 Lines						



NOTES :

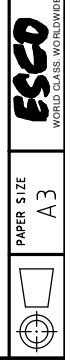
ISO Class 6* - Class 1000

- (4) FFU 2'x4' AND HEPA 2'x4'
- 1. (FFU-1) Fan Filter Unit - 2'x4' and HEPA 2'x4'
- 2. (FFU-2) Fan Filter Unit - 2'x4' and HEPA 2'x4'
- 3. (FFU-3) Fan Filter Unit - 2'x4' and HEPA 2'x4'
- 4. (FFU-4) Fan Filter Unit - 2'x4' and HEPA 2'x4'
- (11) CEILING COVER
- 1. (CC-1) Ceiling Cover - 2'x4'
- 2. (CC-2) Ceiling Cover - 2'x4'
- 3. (CC-3) Ceiling Cover - 2'x4'
- 4. (CC-4) Ceiling Cover - 2'x4'
- 5. (CC-5) Ceiling Cover - 2'x4'
- 6. (CC-6) Ceiling Cover - 2'x4'
- 7. (CC-7) Ceiling Cover - 2'x4'
- 8. (CC-8) Ceiling Cover - 2'x4'
- 9. (CC-9) Ceiling Cover - 2'x4'
- 10. (CC-10) Ceiling Cover - 2'x4'
- 11. (CC-11) Ceiling Cover - 2'x4'

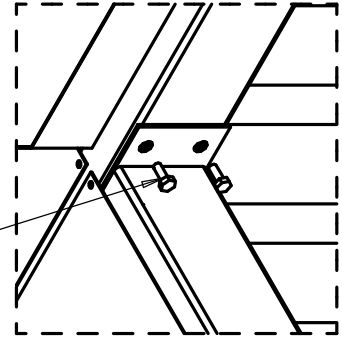
PLAN VIEW

"PLEASE READ DISCLAIMER SIGNATURE OF APPROVAL"
 Esco requires a signature of approval before we can proceed with design and fabrication. Carefully review the submittal package (project specifications and drawings) and sign below. Contact Esco immediately if there are any to or concerns about submittal package. Any revisions after receipt of the initial submittal package may result in a pricing change. Any revisions after the final approval will result in an additional charge.
 Customer Signature of Approval:

Part	Drawing number, Item reference	Part or assembly group name	Standard	Dimension, mm	Shape, Dimension Designation	Scale	Units	DATE	DATE	Qty
	NOTE									
	General Tolerances :									
	These drawings and specifications are the exclusive property of Esco. Issued in strict confidence and shall not, without the prior written permission of Esco, be reproduced.									
	APPROVAL: _____ CHECKED BY: _____ DESIGNED BY: _____ DRAWN BY: _____ 2007-01-31 Date									
	Project: STU/SC-4307-M.5 Product: Split Operate (SM) Split Wall (Cover)									



S/S BOLT M8X20

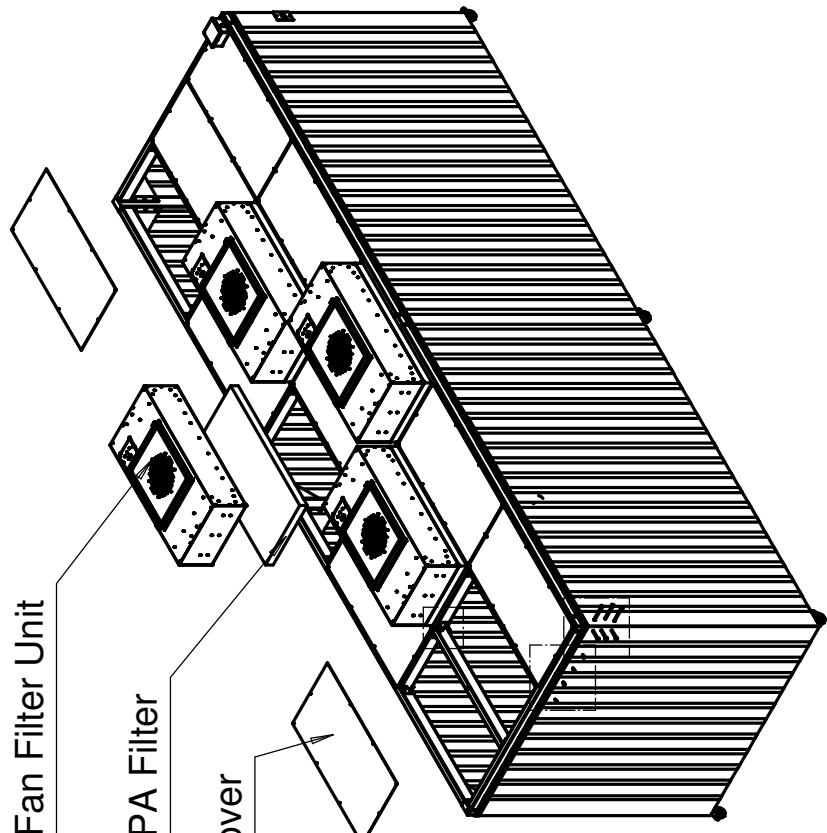


"T" CONNECTION DETAIL

Fan Filter Unit

HEPA Filter

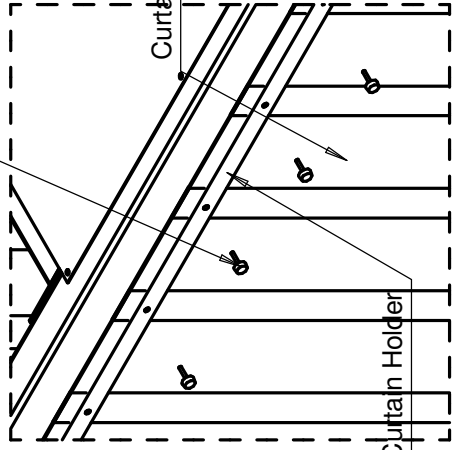
Ceiling Cover



Curtain Strip

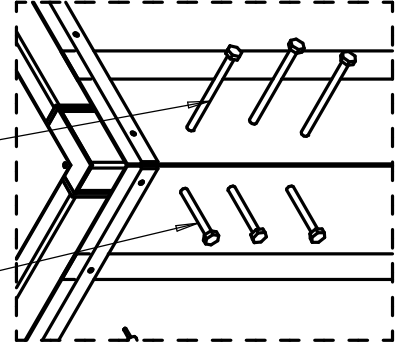
Curtain Holder

PANHEAD SCREW M4X20



CURTAIN HOLDER CONNECTION DETAIL

S/S BOLT M10X80



CORNER CONNECTION DETAIL

FFU AND CEILING COVER CONNECTION DETAIL

"PLEASE READ DISCLAIMER SIGNATURE OF APPROVAL"
 Esco requires a signature of approval before we can proceed with design and fabrication. Carefully review the submittal package (project specifications and drawings) and sign below. Contact Esco immediately if there are any questions or concerns about submittal package. Any revisions after receipt of the initial submittal package may result in a pricing change. Any revisions after the final approval will result in an additional charge.
 Customer Signature of Approval:

Part	Drawing number, item reference	Part or assembly group name	Standard	Shape, Dimension Designation	Quantity	Qty
			THIRD ANGLE VIEW	DIMENSION, mm	SCALE	DATE
					1:15	2007-01-31
NOTE						
General Tolerances :						
STL/SC-4307-M.5						
Dimension 6' x 20' x 7' (height)						
SC6207-45F						
APPROVAL						
CHECKED BY			DESIGNED BY		DRAWN BY	
			2007-01-31		ling	
*These drawings and specifications are the exclusive property of Esco. Issue in strict confidence and shall not, without the prior written permission of Esco, be reproduced.						
PAPER SIZE			A3			
ESCO			WORLD CLASS WORLDWIDE			
Project: STL/SC-4307-M.5						19
Product: Split Opacite (TM) Split Wall Cleverline						19