

ISOMETRIC VIEW

"PLEASE READ DISCLAIMER SIGNATURE OF APPROVAL"

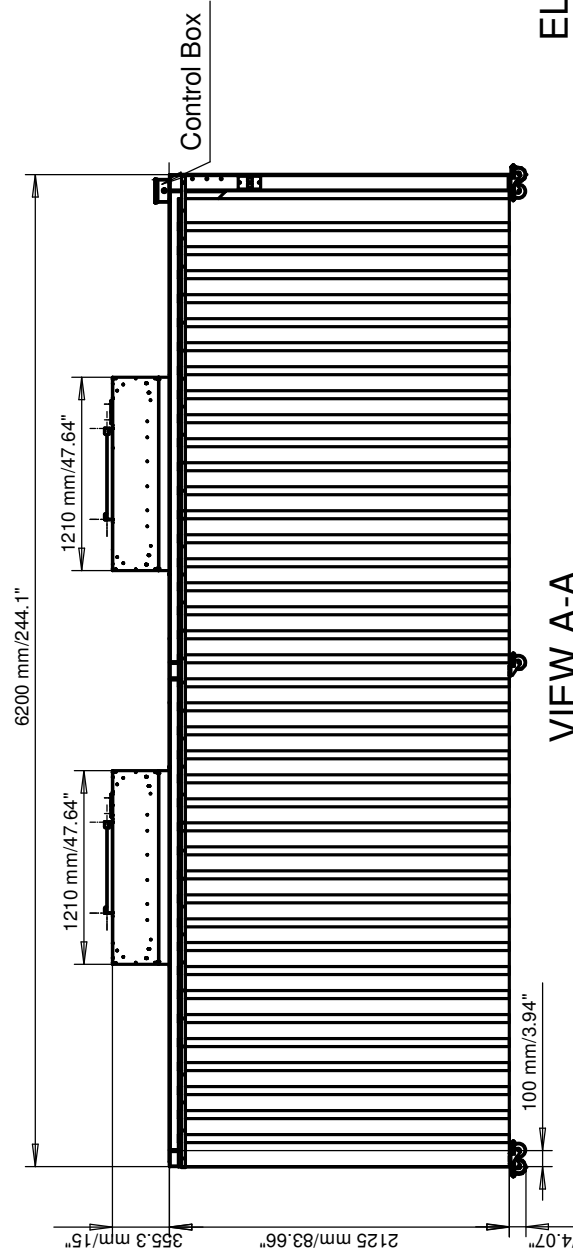
Esco requires a signature of approval before we can proceed with design and fabrication. Carefully review the submittal package (project specifications and drawings) and sign below. Contact Esco immediately if there are any to or concerns about submittal package. Any revisions after receipt of the initial submittal package may result in a pricing change. Any revisions after the final approval will result in an additional charge.

Customer Signature of Approval: _____

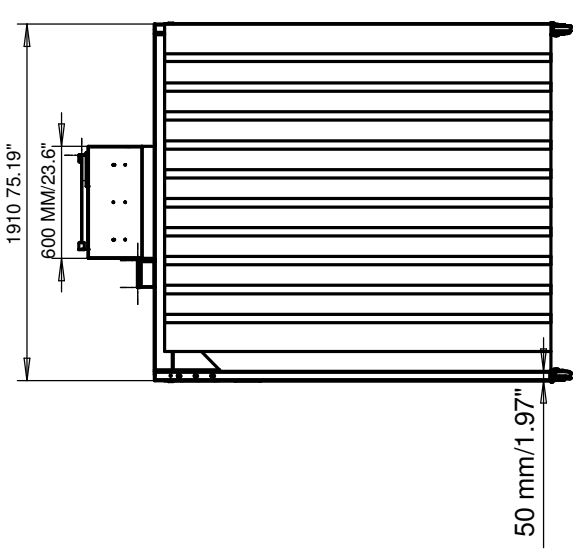
| Part | Drawing number / Item reference | Part or assembly group name | Standard | Shape, Dimension Designation | Quantity | Qty |
|--|---------------------------------|-----------------------------|---------------|------------------------------|----------|------------|
| | | | Dimension, mm | SCALE | 1/8" | DATE |
| | | | | | | 2007-01-31 |
| NOTE | | | | | | |
| General Tolerances : | | | | | | |
| *These drawings and specifications are the exclusive property of Esco. Issues in excess conference and shall not, without the prior written permission of Esco, be reproduced. | | | | | | |
| APPROVAL: _____ CHECKED BY: _____ DESIGNED BY: _____ DRAWN BY: _____ | | | | | | |
| Project: STL/SC-4307-06.5 Product: Split Openair (TM) Split Wall Cleanroom | | | | | | |

STL/SC-4307-06.5
 Dimension 6' x 20' x 7" (Height)
 SC4307-55c

PAPER SIZE: A3
 ESCO WORLD CLASS WORLDWIDE

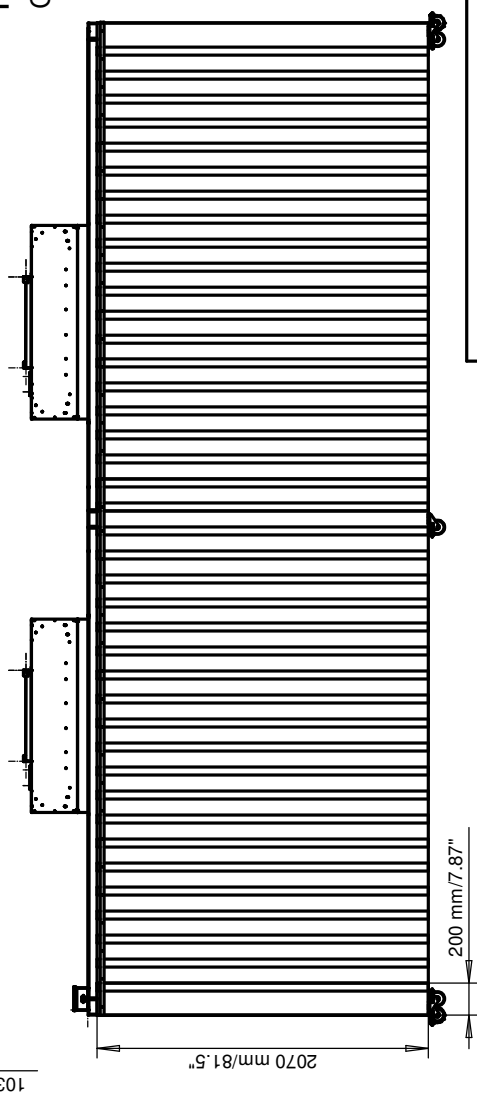


ELEVATION

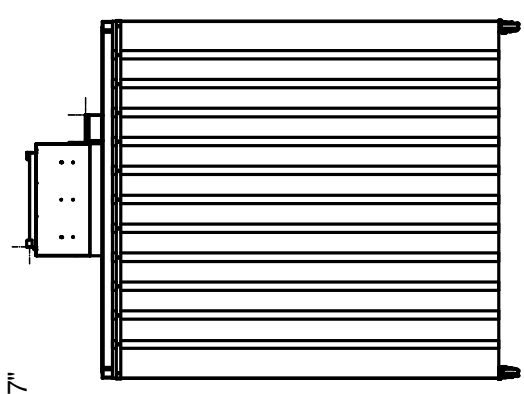


VIEW C-C

NOTES :
Curtain Dimension : 2070mm/81.5"x200mm/7.87"



VIEW A-A



VIEW D-D

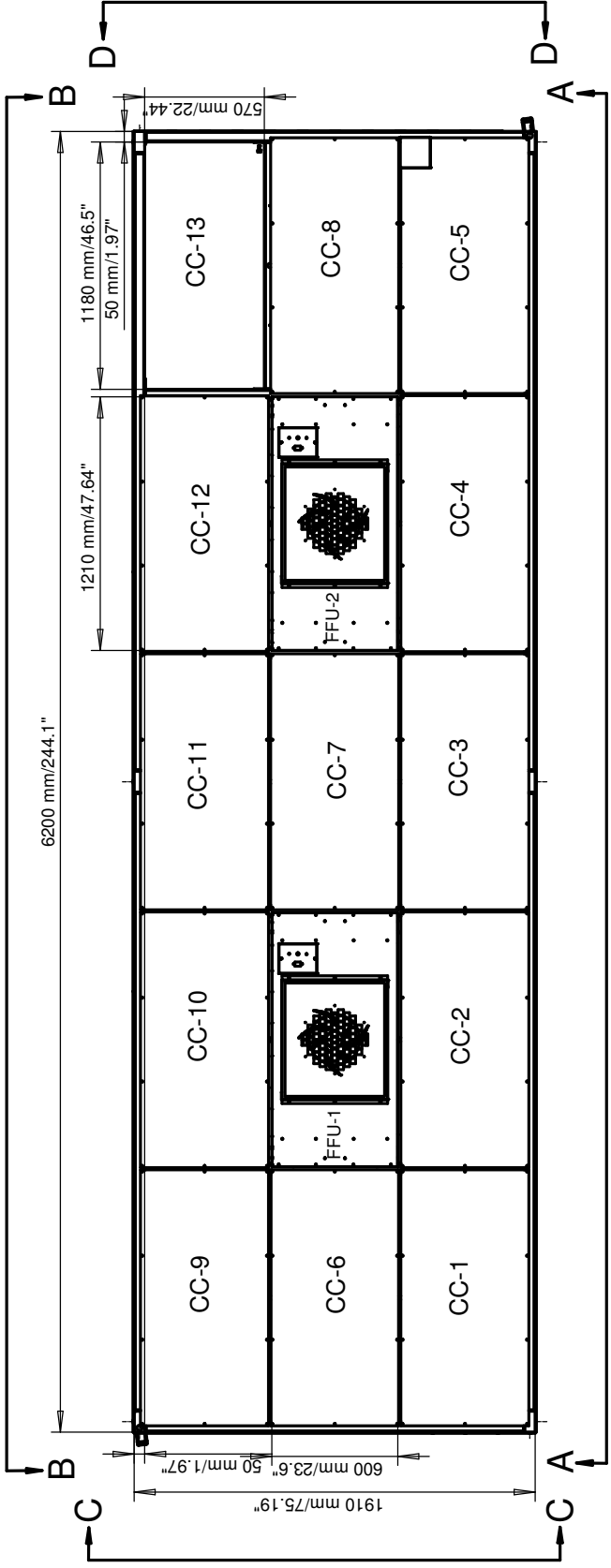
"PLEASE READ DISCLAIMER SIGNATURE OF APPROVAL"

Esco requires a signature of approval before we can proceed with design and fabrication. Carefully review the submittal package (project specifications and drawings) and sign below. Contact Esco immediately if there are any to or concerns about submittal package. Any revisions after receipt of the initial submittal package may result in a pricing change. Any revisions after the final approval will result in an additional charge.

Customer Signature of Approval:

VIEW B-B

| | | | | | | |
|----------------------------------|-------------------------------|-----------------------------|---|------------------------------|----------|------|
| Part | Drawing number Item reference | Part or assembly group name | Standard | Shape, Dimension Designation | Quality | Qty |
| | | | THIRD ANGLE VIEW | DIMENSION, mm | SCALE | 1:15 |
| | | | | | | DATE |
| NOTE | | | | | | |
| General Tolerances : | | | | | | |
| STL/SC-4307-MS.5 | | | | | | |
| Dimension 6' x 20' x 7' (Height) | | | | | | |
| SC4307-55a | | | | | | |
| APPROVAL | | | CHECKED BY | DESIGNED BY | DRAWN BY | |
| | | | | 2007-01-31 | | |
| Project: STL/SC-4307-MS.5 | | | Product: Silt Opatic (TM) Silt Wall Closure | | | |
| PAPER SIZE | | | WORLD CLASS WORLDWIDE | | | |
| A3 | | | | | | |
| 90 | | | Sheet 7 | | | |



PLAN VIEW

- NOTES :**
ISO Class 7* - Class 10.000
 (2) FFU 2'x4' AND HEPA 2'x4'
 1. (FFU-1) Fan Filter Unit - 2'x4'and HEPA 2'x4'
 2. (FFU-2) Fan Filter Unit - 2'x4'and HEPA 2'x4'
 (13) CEILING COVER
 1. (CC-1) Ceiling Cover - 2'x4'
 2. (CC-2) Ceiling Cover - 2'x4'
 3. (CC-3) Ceiling Cover - 2'x4'
 4. (CC-4) Ceiling Cover - 2'x4'
 5. (CC-5) Ceiling Cover - 2'x4'
 6. (CC-6) Ceiling Cover - 2'x4'
 7. (CC-7) Ceiling Cover - 2'x4'
 8. (CC-8) Ceiling Cover - 2'x4'
 9. (CC-9) Ceiling Cover - 2'x4'
 10. (CC-10) Ceiling Cover - 2'x4'
 11. (CC-11) Ceiling Cover - 2'x4'
 12. (CC-12) Ceiling Cover - 2'x4'
 13. (CC-13) Ceiling Cover - 2'x4'

"PLEASE READ DISCLAIMER SIGNATURE OF APPROVAL"
 Esco requires a signature of approval before we can proceed with design and fabrication. Carefully review the submittal package (project specifications and drawings) and sign below. Contact Esco immediately if there are any to or concerns about submittal package. Any revisions after receipt of the initial submittal package may result in a pricing change. Any revisions after the final approval will result in an additional charge.
 Customer Signature of Approval:

| | | | | | | |
|----------------------------------|-------------------------------|-----------------------------|------------------|------------------------------|---------|------------|
| Part | Drawing number from reference | Part or assembly group name | Standard | Shape, Dimension Designation | Quality | Qty |
| | | | THIRD ANGLE VIEW | DIMENSION, mm | SCALE | 1:15 |
| | | | | | DATE | 2007-01-31 |
| NOTE | | | | | | |
| General Tolerances : | | | | | | |
| STL/SC-4307-06.5 | | | | | | |
| Dimension 6' x 20' x 7' (Height) | | | | | | |
| SC6207-55d | | | | | | |
| APPROVAL | | | | | | |
| CHECKED BY | | | DESIGNED BY | | | DRAWN BY |
| | | | 2007-01-31 | | | ling |
| Product: STL/SC-4307-06.5 | | | | | | |
| Project: STL/SC-4307-06.5 | | | | | | |



S/S BOLT M8X20

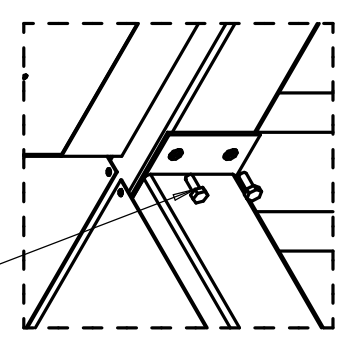
Fan Filter Unit

HEPA Filter

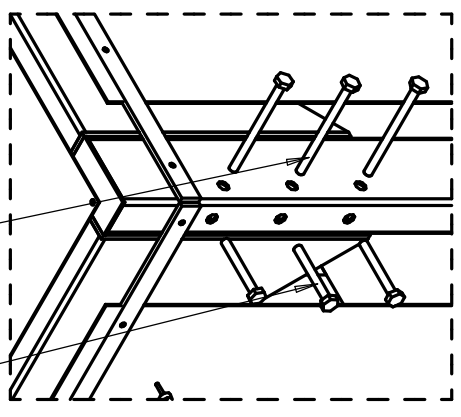
Ceiling Cover

S/S BOLT M10X80

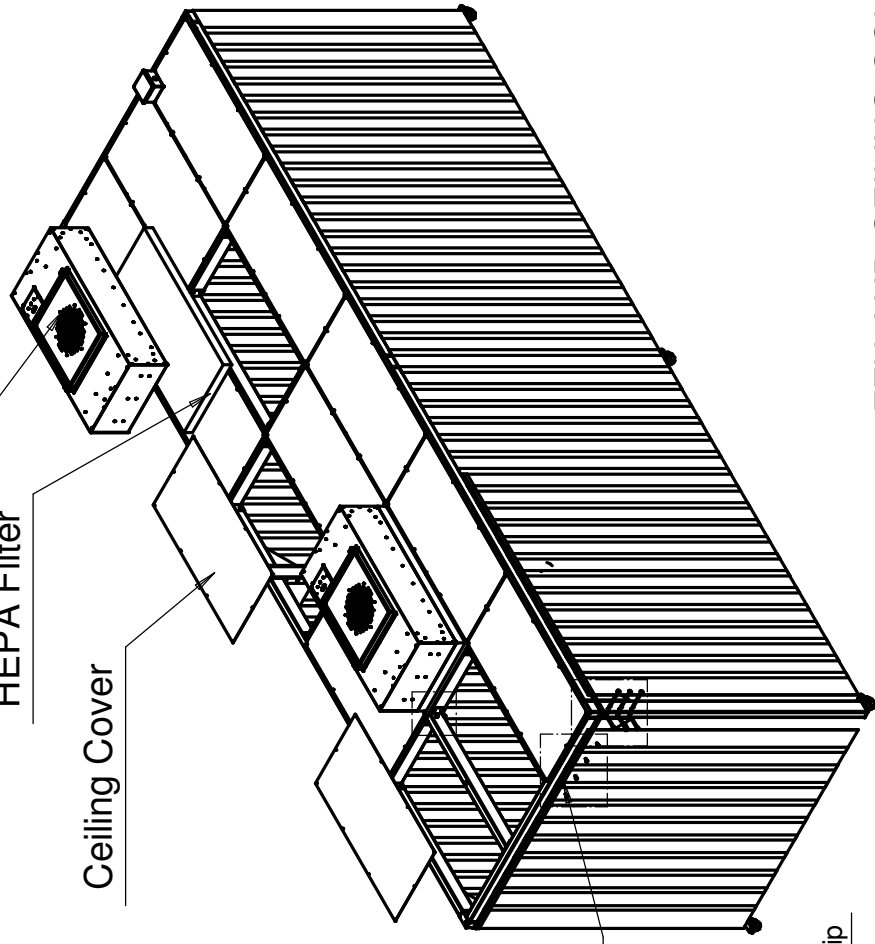
S/S BOLT M10X130



"T" CONNECTION DETAIL

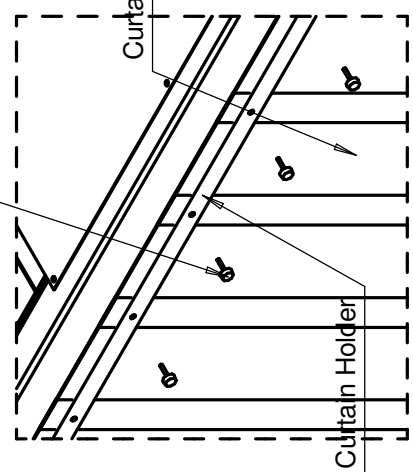


CORNER CONNECTION DETAIL



Curtain Holder

PANHEAD SCREW M4X20

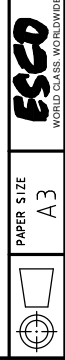


CURTAIN HOLDER CONNECTION DETAIL

FFU AND CEILING COVER CONNECTION DETAIL

"PLEASE READ DISCLAIMER SIGNATURE OF APPROVAL"
 Esco requires a signature of approval before we can proceed with design and fabrication. Carefully review the submittal package (project specifications and drawings) and sign below. Contact Esco immediately if there are any to or concerns about submittal package. Any revisions after receipt of the initial submittal package may result in a pricing change. Any revisions after the final approval will result in an additional charge.
 Customer Signature of Approval:

| | | | | | | |
|--|--------------------------------|-----------------------------|------------------|------------------------------|----------|------------|
| Part | Drawing number, item reference | Part or assembly group name | Standard | Shape, Dimension Designation | Quantity | Qty |
| | | | THIRD ANGLE VIEW | DIMENSION, mm | SCALE | DATE |
| | | | | | 1:15 | 2007-01-31 |
| NOTE | | | | | | |
| General Tolerances : | | | | | | |
| APPROVAL | | | | | | |
| STL/SC-4307-06.5 | | | | | | |
| Dimension 6' x 20' x 7' (height) | | | | | | |
| SC4207-55F | | | | | | |
| CHECKED BY: _____ | | | | | | |
| DESIGNED BY: _____ | | | | | | |
| 2007-01-31 | | | | | | |
| ling | | | | | | |
| DRAWN BY: _____ | | | | | | |
| Project: STL/SC-4307-06.5 | | | | | | |
| Product: Split Operate (TM) Split Wall (Ceiling) | | | | | | |
| 19 (Item 7) | | | | | | |



PAPER SIZE
A3

WORLD CLASS WORLDWIDE