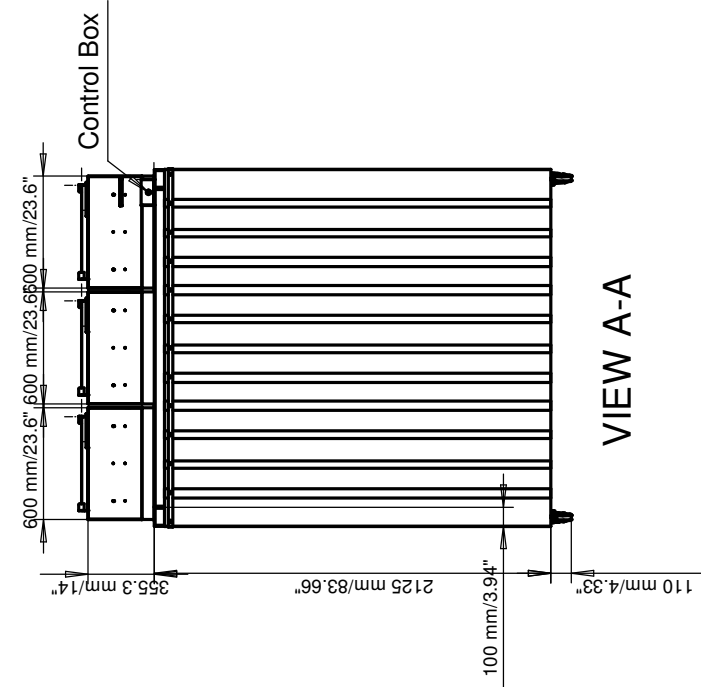


ISOMETRIC VIEW

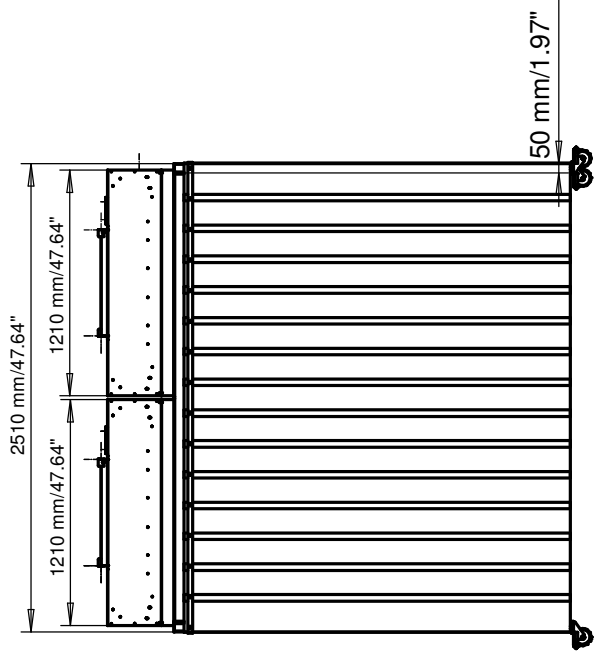
"PLEASE READ DISCLAIMER SIGNATURE OF APPROVAL"
 Esco requires a signature of approval before we can proceed with design and fabrication. Carefully review the submittal package (project specifications and drawings) and sign below. Contact Esco immediately if there are any to or concerns about submittal package. Any revisions after receipt of the initial submittal package may result in a pricing change. Any revisions after the final approval will result in an additional charge.
 Customer Signature of Approval:

Part	Drawing number Item reference	Part or assembly group name	Standard	Shape	Dimension	Designation	Quality	Qty
THIRD ANGLE VIEW								
			SCALE	1:1	DATE	2008-06-20		
NOTE								
General Tolerances :								
STL/SC-487-R3.5								
Dimension 6' x 8' x 7' (Height)								
NS-687_ASSYB								
APPROVAL			CHECKED BY	DESIGNED BY		DRAWN BY		
				2008-06-20		ling		
*These drawings and specifications are the exclusive property of Esco. It is to be used in strict accordance and shall not, without the prior written permission of Esco, be reproduced.								
PAPER SIZE			A3		WORLD CLASS WORLDWIDE			
Project: STL/SC-487-R3.5			Product: SMT Control (THI SMT Mill) Cleanroom		150 Class 5			

REV	DATE	BY	CHK



VIEW A-A

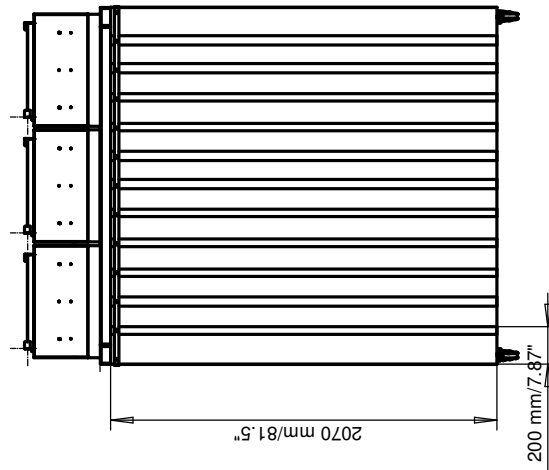


VIEW C-C

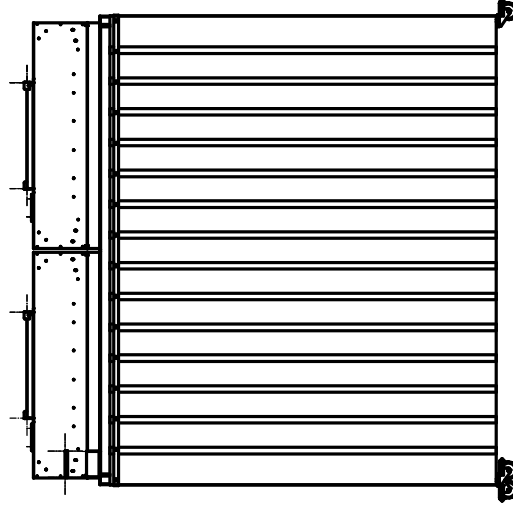
ELEVATION VIEW

NOTES :

Curtain Dimension : 2070mm/81.5"x200mm/7.87"



VIEW B-B



VIEW D-D

"PLEASE READ DISCLAIMER SIGNATURE OF APPROVAL"

Esco requires a signature of approval before we can proceed with design and fabrication. Carefully review the submittal package (project specifications and drawings) and sign below. Contact Esco immediately if there are any to or concerns about submittal package. Any revisions after receipt of the initial submittal package may result in a pricing change. Any revisions after the final approval will result in an additional charge. Customer Signature of Approval:

Part	Drawing number, item reference	Part or assembly group name	Standard	Shape, Dimension	Designation	Quality	Qty
			DIMENSION	mm	SCALE	1:20	DATE
							2007-07-16
THIRD ANGLE VIEW							
STL/SC-407-40.5							
Dimension 6' x 0' x 7' Height							
MS-607_ASSYd							
APPROVAL							
CHECKED BY							
DESIGNED BY							
DRAWN BY							

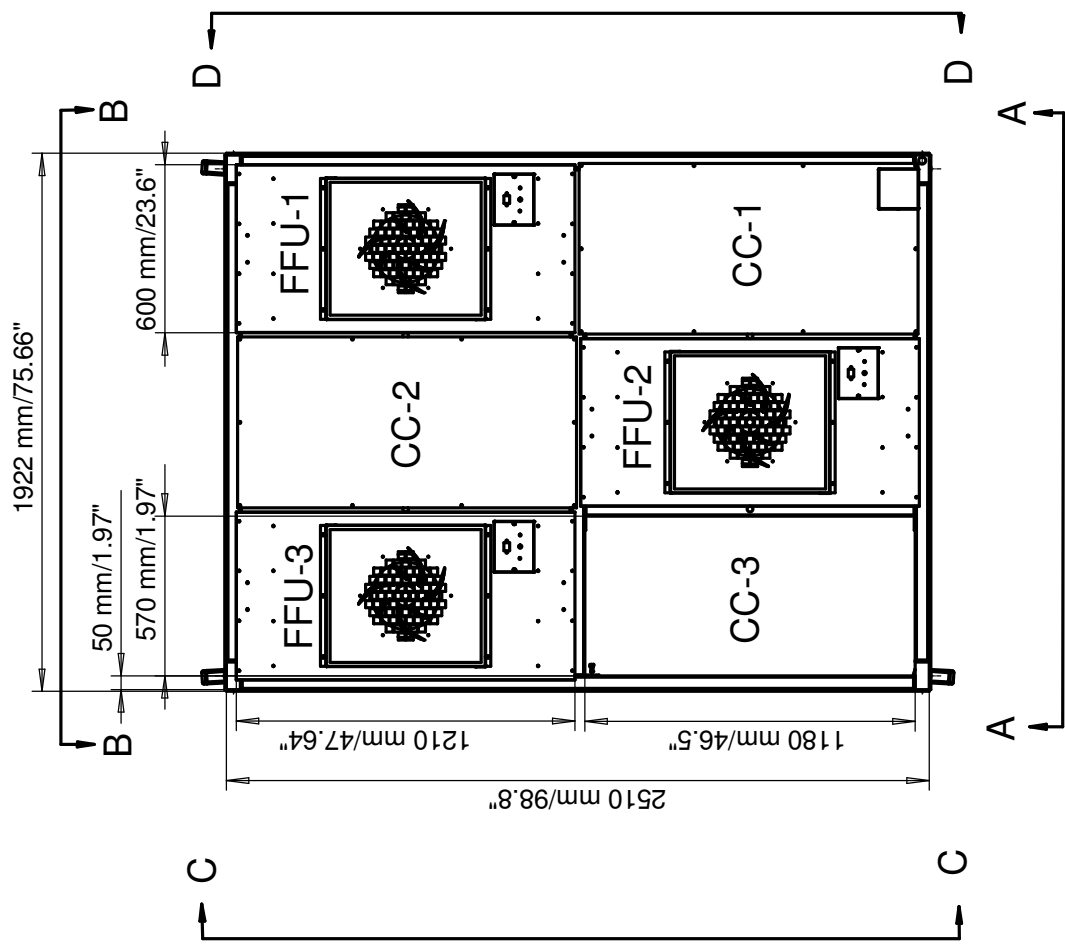


PAPER SIZE
A3



"These drawings and specifications are the exclusive property of Esco. Issued in strict confidence and shall not, without the prior written permission of Esco, be reproduced"

2007-07-16



NOTES :
ISO Class 5* - Class 100

- (4) FFU 2'X4' AND HEPA 2'X4
- 1. (FFU-1) Fan Filter Unit - 2'x4' and HEPA 2'x4'
- 2. (FFU-2) Fan Filter Unit - 2'x4' and HEPA 2'x4'
- 3. (FFU-3) Fan Filter Unit - 2'x4' and HEPA 2'x4'
- (4) CEILING COVER
- 1. (CC-1) Ceiling Cover - 2'x4'
- 2. (CC-1) Ceiling Cover - 2'x4'
- 3. (CC-3) Ceiling Cover - 2'x4'

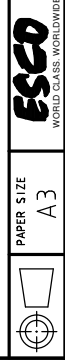
PLAN VIEW

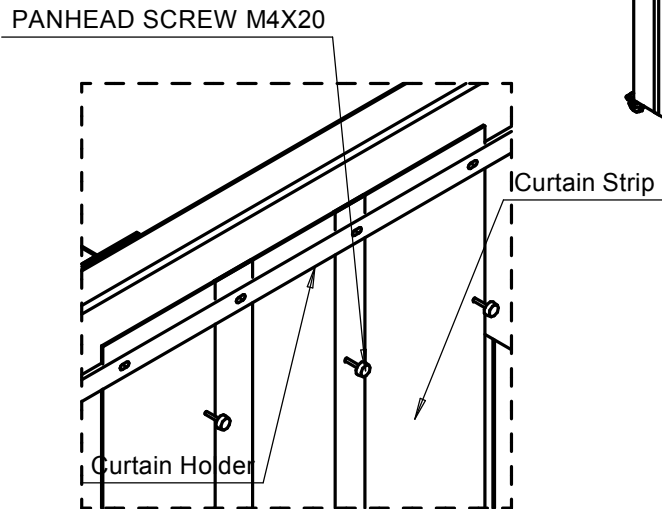
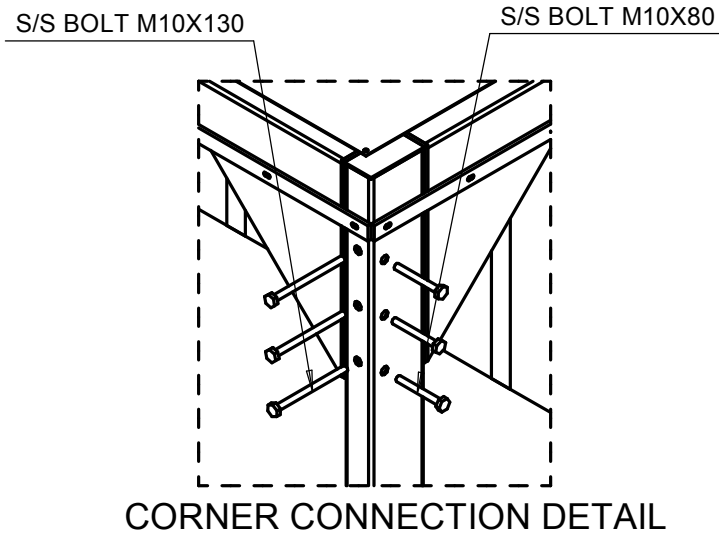
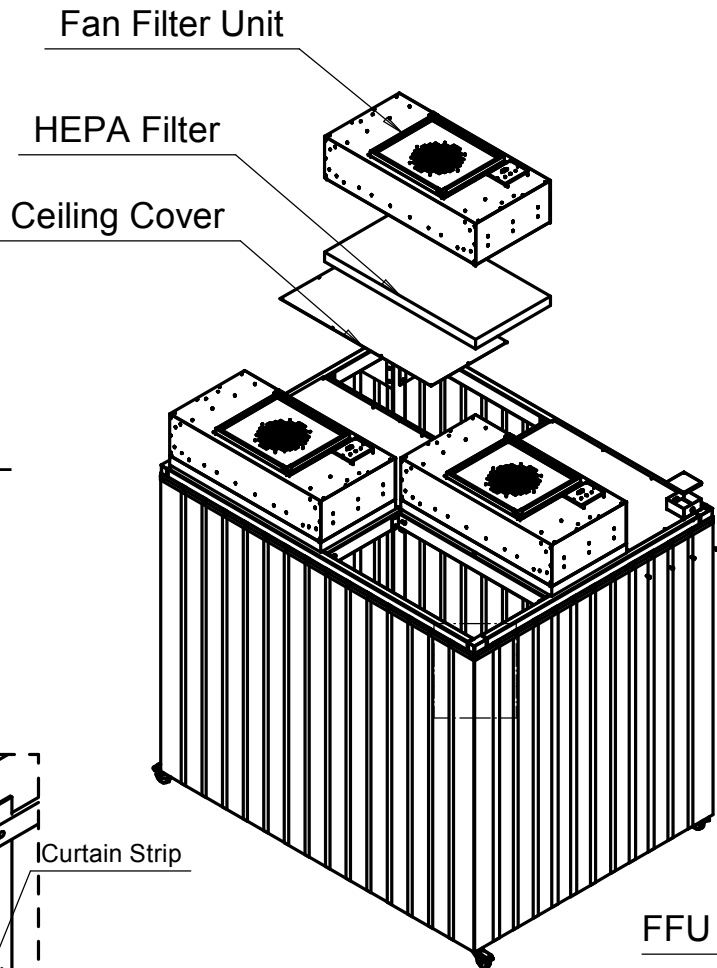
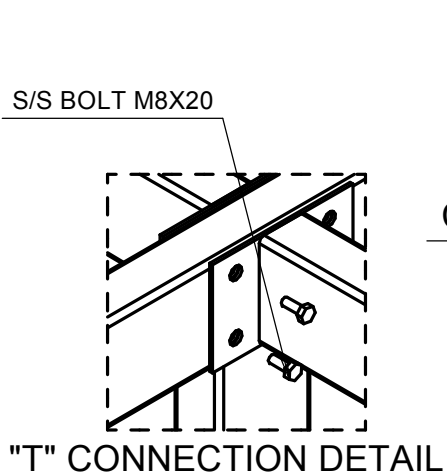
"PLEASE READ DISCLAIMER SIGNATURE OF APPROVAL"

Esco requires a signature of approval before we can proceed with design and fabrication. Carefully review the submittal package (project specifications and drawings) and sign below. Contact Esco immediately if there are any to or concerns about submittal package. Any revisions after receipt of the initial submittal package may result in a pricing change. Any revisions after the final approval will result in an additional charge.

Customer Signature of Approval:

Part	Drawing number, Item reference	Part or assembly group name	THIRD ANGLE VIEW	Standard	Shape, Dimension Designation	Quality	Qty
				DIMENSION, mm	SCALE	1:10	DATE
NOTE							
General Tolerances :							
"These drawings and specifications are the exclusive property of Esco. Issues in strict confidence and shall not, without the prior written permission of Esco, be reproduced."							
APPROVAL							
STL/SC-407-AB.5				Dimension 6' x 0' x 7' (Height)			
MS-607_ASSYC				DESIGNED BY			
CHECKED BY				DRAWN BY			
2008-06-20							
Project: STL/SC-407-AB.5							
Product: Split Openair (TM) Split Wall Cleanroom							
ISO Class 5							





CURTAIN HOLDER CONNECTION DETAIL

FFU AND CEILING COVER CONNECTION DETAIL

"PLEASE READ DISCLAIMER SIGNATURE OF APPROVAL"

Esco requires a signature of approval before we can proceed with design and fabrication. Carefully review the submittal package (project specifications and drawings) and sign below. Contact Esco immediately if there are any to or concerns about submittal package. Any revisions after receipt of the initial submittal package may result in a pricing change. Any revisions after the final approval will result in an additional charge.

Customer Signature of Approval:

Part	Drawing number / item reference	Part or assembly group name	Standard	Shape, Dimension	Designation	Quality	Qty
NOTE			THIRD ANGLE VIEW	DIMENSION : mm	SCALE : 1:15	DATE : 2008-07-10	
General Tolerances :			SLT/SC-687-HB.5				
			Dimension 6' x 0' x 7' (Height)				
			MS-687_ASSY				
APPROVAL		CHECKED BY	DESIGNED BY		DRAWN BY		
			2008-07-10		ling		
PAPER SIZE			ESCO		WORLD CLASS. WORLDWIDE.		
A3							
Projects SLT/SC-687-HB.5				Product: Soft Capule (TPO Soft) Mill. Cleanroom			ISO Class 5