

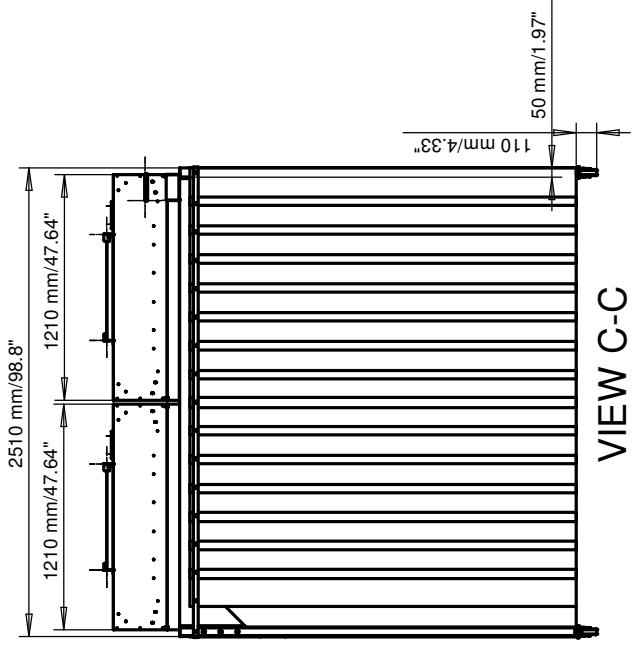
**ISOMETRIC VIEW**

"PLEASE READ DISCLAIMER SIGNATURE OF APPROVAL"

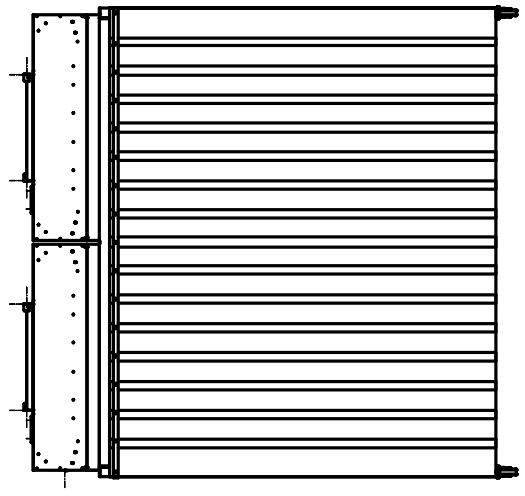
Esco requires a signature of approval before we can proceed with design and fabrication. Carefully review the submittal package (project specifications and drawings) and sign below. Contact Esco immediately if there are any questions or concerns about submittal package. Any revisions after receipt of the initial submittal package may result in a pricing change. Any revisions after the final approval will result in an additional charge.

Customer Signature of Approval:

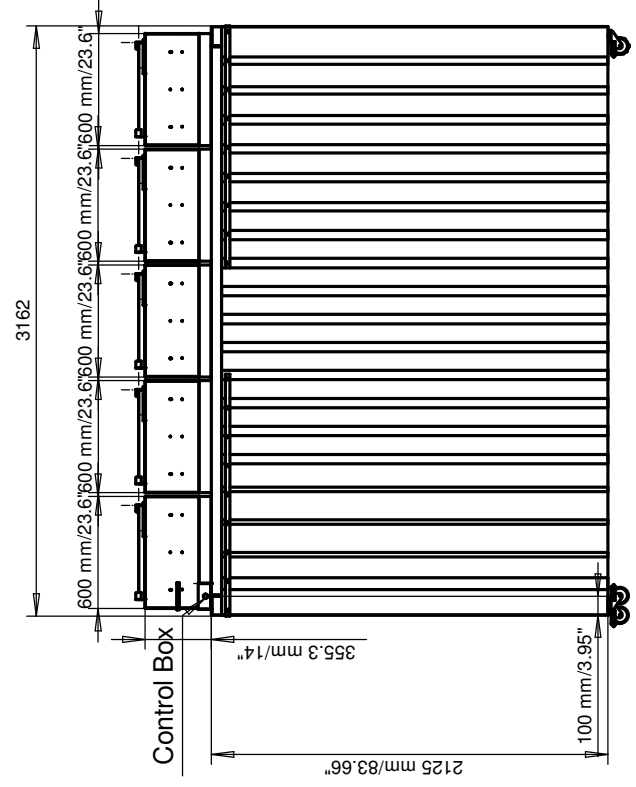
Part	Drawing number / Item reference	Part or assembly group name	Standard	Shape, Dimension Designation	Quantity	Qty
			Dimension, mm	SCALE	1:10	DATE
						2008-05-12
<b>NOTE</b>						
General Tolerances :						
These drawings and specifications are the exclusive property of Esco. Issue in strict confidence and shall not, without the prior written permission of Esco, be reproduced.						
APPROVAL			CHECKED BY	DESIGNED BY	DRAWN BY	
STL/SC-R107-AB.5					2008-05-12	
Dimension 0' x 10' x 7' (height)					ling	
New Assembly 0107c						
Project: STL/SC-R107-AB.5			Product: Split Open DM Split Wall Cleanroom			
PAPER SIZE			WORLD CLASS WORLDWIDE			
A3			ESCO			
			99 Clean 5			



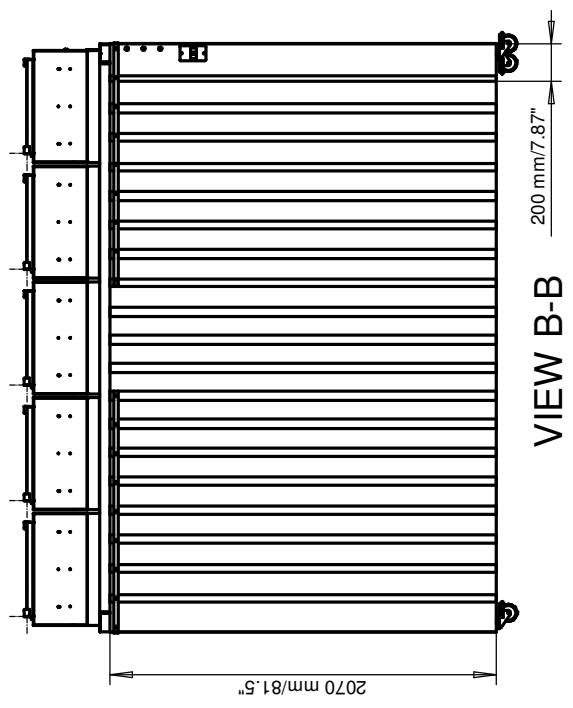
**VIEW C-C**



**VIEW D-D**



**VIEW A-A**



**VIEW B-B**

**ELEVATION VIEW**

**NOTES :**

Curtain Dimension : 2070mm/81.5"x200/7.87"

**"PLEASE READ DISCLAIMER SIGNATURE OF APPROVAL"**  
 Esco requires a signature of approval before we can proceed with design and fabrication. Carefully review the submittal package (project specifications and drawings) and sign below. Contact Esco immediately if there are any to or concerns about submittal package. Any revisions after receipt of the initial submittal package may result in a pricing change. Any revisions after the final approval will result in an additional charge.  
 Customer Signature of Approval:

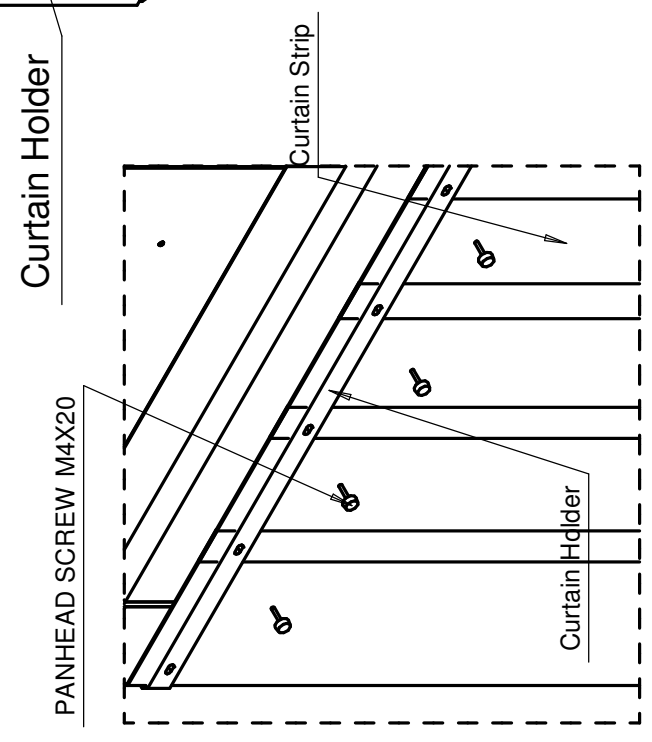
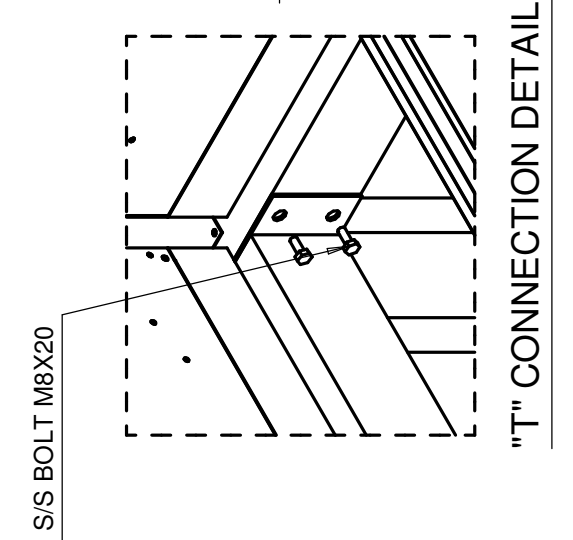
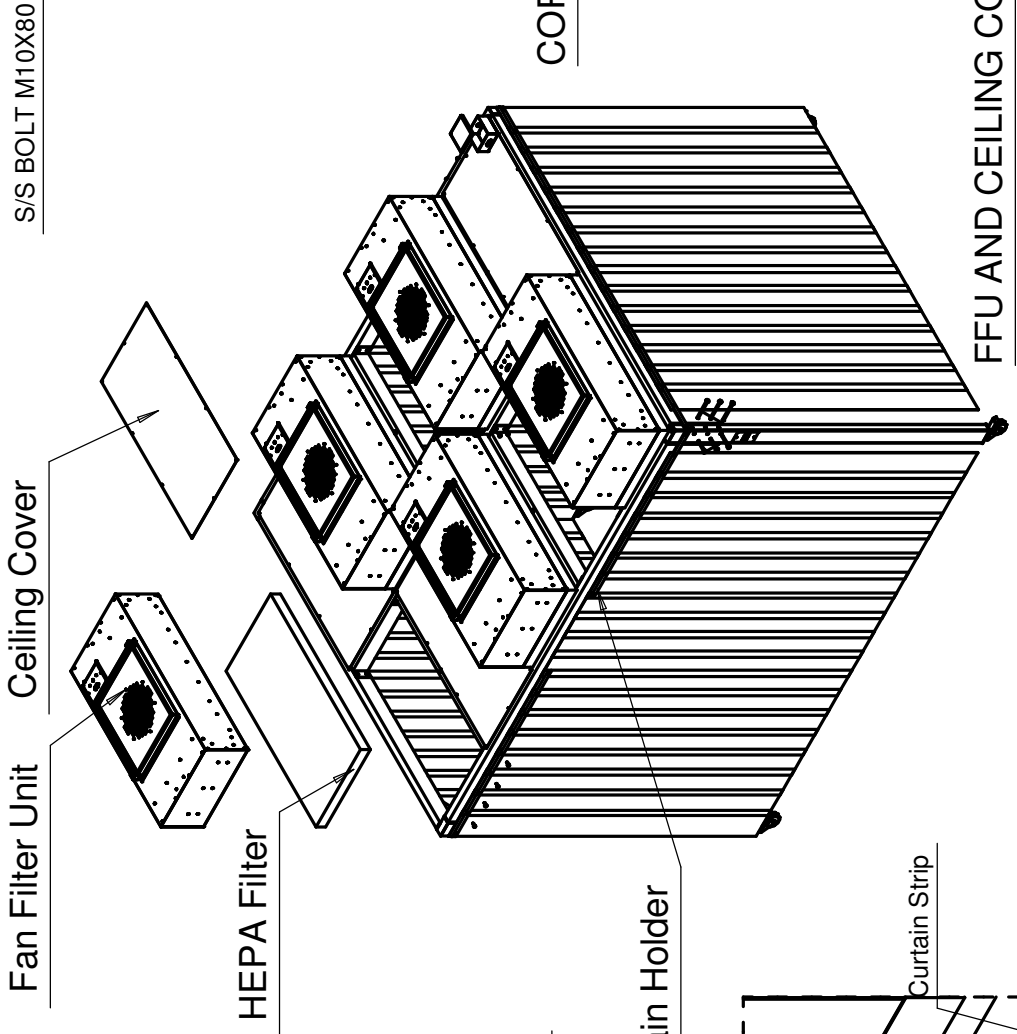
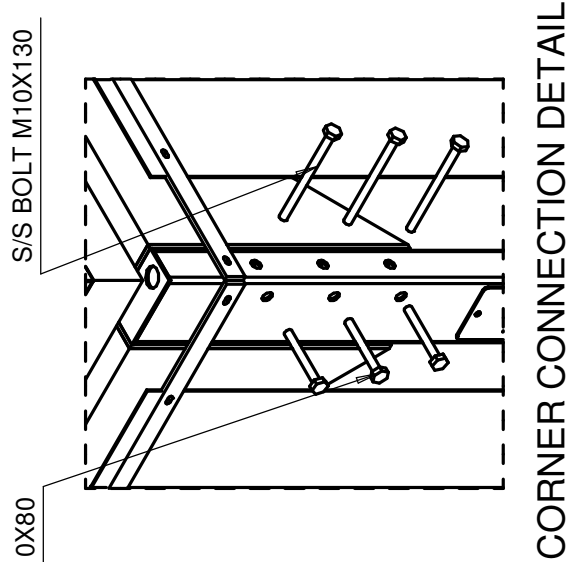
**NOTE**

General Tolerances :

Part	Drawing number from reference	Part or assembly group name	Standard	Shape, Dimension Designation	Quality	Qty		
			THIRD ANGLE VIEW	DIMENSION, mm	SCALE	1:10	DATE	2008-05-12
Project: STL/SC-4107-03.5 Product: Split Operate (TM) Split wall Closure								
Part: STL/SC-4107-03.5 Dimension: 0' x 10' x 7' New Assembly: 0107a								
APPROVAL CHECKED BY: _____ DESIGNED BY: _____ 2008-05-12 ling								
PAPER SIZE: A3 WORLD CLASS WORLDWIDE <b>ESCO</b>								
These drawings and specifications are the exclusive property of Esco. Issued in strict confidence and shall not, without the prior written permission of Esco, be reproduced.								



Rev	Date	Revision



"PLEASE READ DISCLAIMER SIGNATURE OF APPROVAL"

Esco requires a signature of approval before we can proceed with design and fabrication. Carefully review the submittal package (project specifications and drawings) and sign below. Contact Esco immediately if there are any to or concerns about submittal package. Any revisions after receipt of the initial submittal package may result in a pricing change. Any revisions after the final approval will result in an additional charge.

Customer Signature of Approval:

Part	Drawing number / Item reference	Part or assembly group name	Standard	Shape, Dimension Designation	Quantity	Qty
			DIMENSION (mm)	SCALE	ISS	DATE
						2008-05-12
THIRD ANGLE VIEW						
NOTE						
General Tolerances :						
STL/SC-0107-06.5						
Dimension 0' x 10' x 7' (Height)						
New Assembly 0107						
APPROVAL	CHECKED BY	DESIGNED BY	DRAWN BY			
		2008-05-12	ling			
Project: STL/SC-0107-06.5						
Product: Split Ceiling (RM Split Wall) (Overrun)						
Project: STL/SC-0107-06.5						
Product: Split Ceiling (RM Split Wall) (Overrun)						

