

ISOMETRIC VIEW

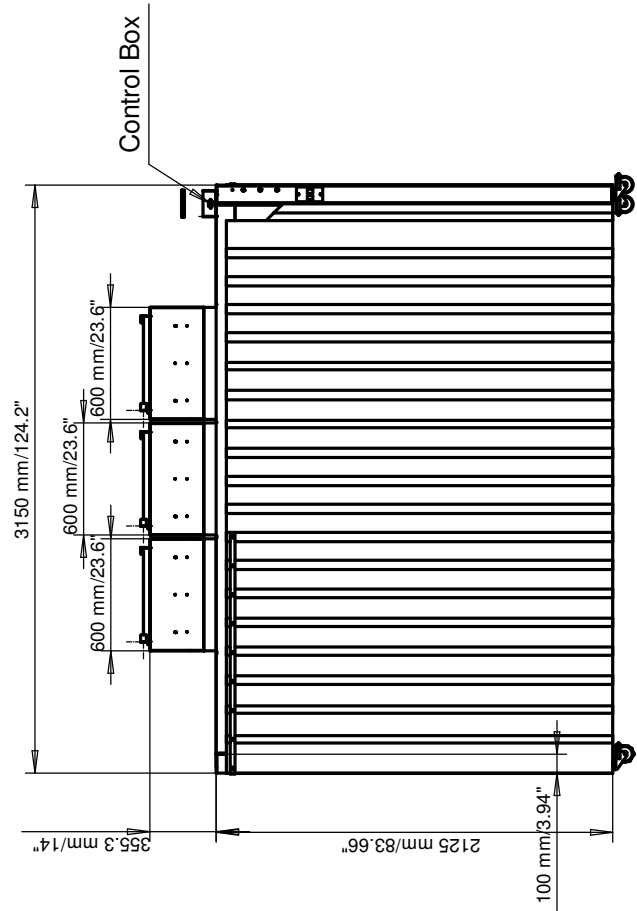
"PLEASE READ DISCLAIMER SIGNATURE OF APPROVAL"
 Esco requires a signature of approval before we can proceed with design and fabrication. Carefully review the submittal package (project specifications and drawings) and sign below. Contact Esco immediately if there are any to or concerns about submittal package. Any revisions after receipt of the initial submittal package may result in a pricing change. Any revisions after the final approval will result in an additional charge.
 Customer Signature of Approval:

Part	Drawing number	Item reference	Part or assembly group name	Standard	Shape, Dimension Designation	Quantity	Qty		
				THIRD ANGLE VIEW	DIMENSION ± mm	SCALE	1:10	DATE	2008-05-12
NOTE				General Tolerances :					
				Dimension 0' x 10' x 7' (Height)					
				SCO107-45C					
APPROVAL				CHECKED BY	DESIGNED BY	2008-05-12			
				ling				DRAWN BY	
				Product: SFTJSC-407-AK-5				100 Class 6	

PAPER SIZE
A3

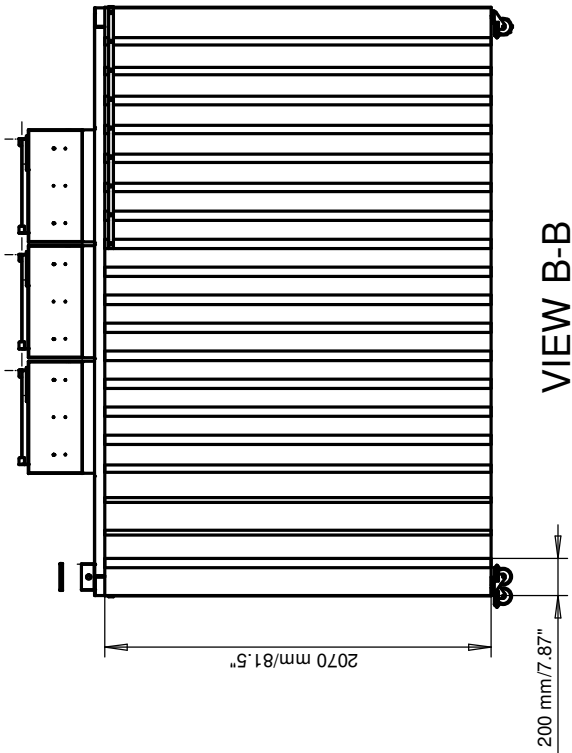
WORLD CLASS VENTILATION

"These drawings and specifications are the exclusive property of Esco, Inc. and shall remain the property of Esco, Inc. without the prior written permission of Esco, Inc. or its representative."

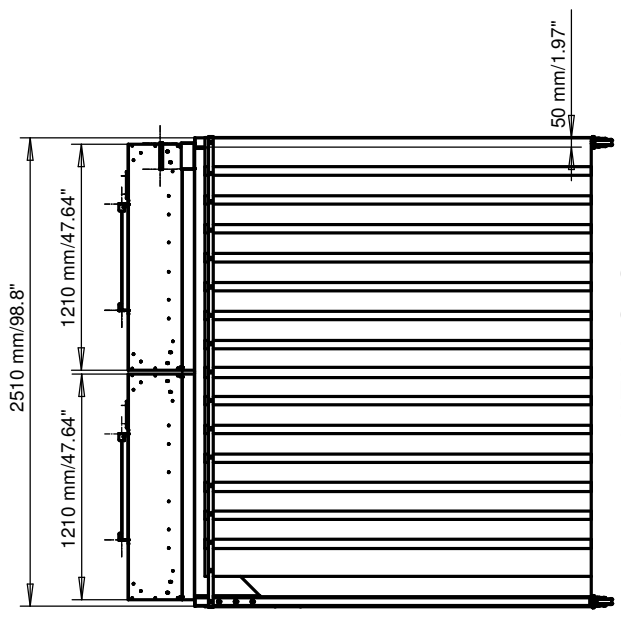


ELEVATION VIEW

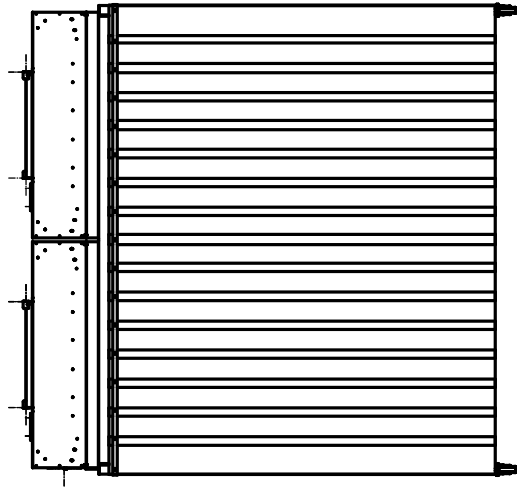
VIEW A-A



VIEW B-B



VIEW C-C

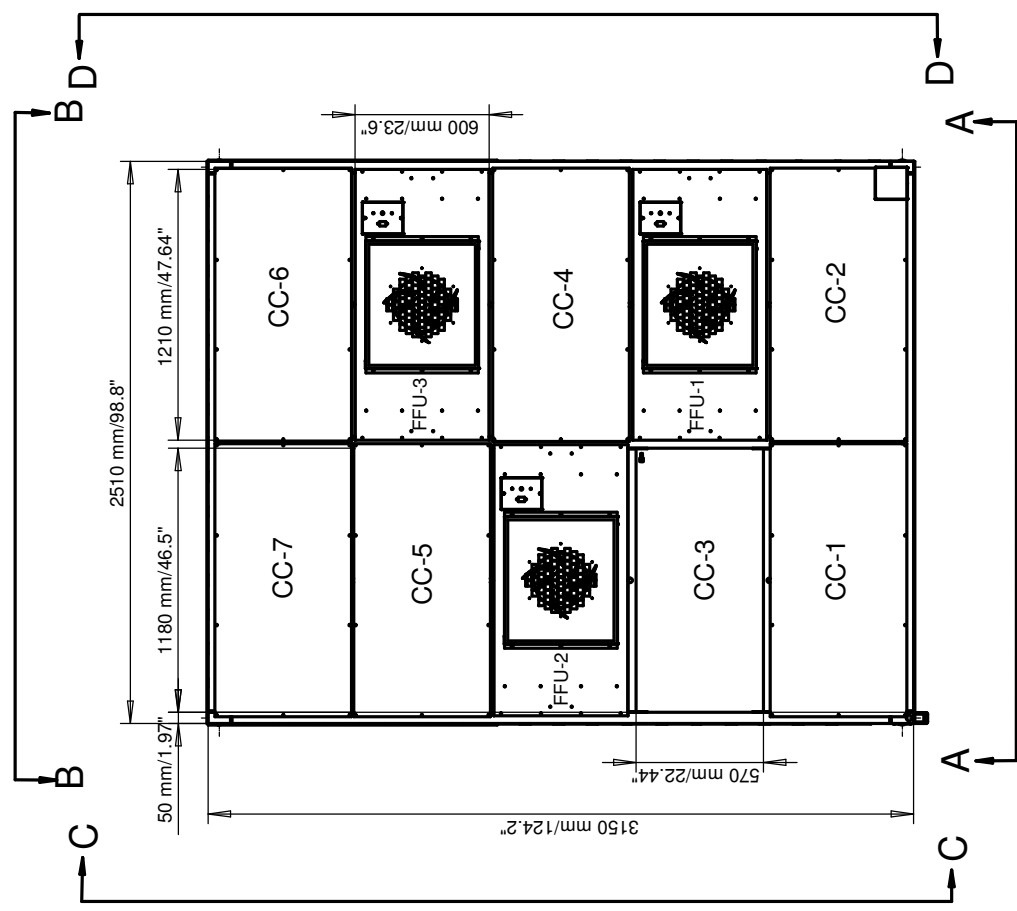


VIEW D-D

NOTES :
Curtain Dimension : 2070mm/81.5"x200mm/7.87"

"PLEASE READ DISCLAIMER SIGNATURE OF APPROVAL"
Esco requires a signature of approval before we can proceed with design and fabrication. Carefully review the submittal package (project specifications and drawings) and sign below. Contact Esco immediately if there are any to or concerns about submittal package. Any revisions after receipt of the initial submittal package may result in a pricing change. Any revisions after the final approval will result in an additional charge.
Customer Signature of Approval:

Part	Drawing number / Item reference	Part or assembly group name	Standard	Shape, Dimension Designation	Quality	Qty
			THIRD ANGLE VIEW	SCALE	DATE	2008-05-12
PROJECT: ST/SC-4107-M.5 Product: Split Opacit (TM) Split Wall Cover						
Part: STL/SC-4107-M.5 Dimension: 0' x 10' x 7' (Height)						
Part: SCB107-45a Dimension: 0' x 10' x 7' (Height)						
APPROVAL DESIGNED BY: 2008-05-12 DRAWN BY:						
NOTE General Tolerances :						
*These drawings and specifications are the exclusive property of Esco. Issued in strict confidence and shall not, without the prior written permission of Esco, be reproduced.						
PAPER SIZE: A3 WORLD CLASS WORLDWIDE						



NOTES :
ISO Class 6* - Class 1000

- (3) FFU 2'x4' AND HEPA 2'x4'
- 1. (FFU-1) Fan Filter Unit - 2'x4' and HEPA 2'x4'
- 2. (FFU-2) Fan Filter Unit - 2'x4' and HEPA 2'x4'
- 3. (FFU-3) Fan Filter Unit - 2'x4' and HEPA 2'x4'
- (7) CEILING COVER
- 1. (CC-1) Ceiling Cover - 2'x4'
- 2. (CC-2) Ceiling Cover - 2'x4'
- 3. (CC-3) Ceiling Cover - 2'x4'
- 4. (CC-4) Ceiling Cover - 2'x4'
- 5. (CC-5) Ceiling Cover - 2'x4'
- 6. (CC-6) Ceiling Cover - 2'x4'
- 7. (CC-7) Ceiling Cover - 2'x4'

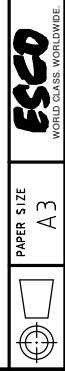
PLAN VIEW

"PLEASE READ DISCLAIMER SIGNATURE OF APPROVAL"

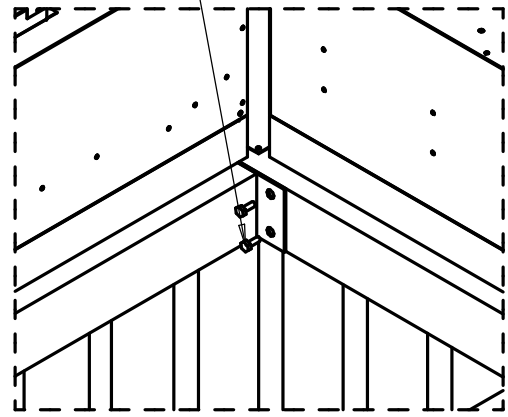
Esco requires a signature of approval before we can proceed with design and fabrication. Carefully review the submittal package (project specifications and drawings) and sign below. Contact Esco immediately if there are any to or concerns about submittal package. Any revisions after receipt of the initial submittal package may result in a pricing change. Any revisions after the final approval will result in an additional charge.

Customer Signature of Approval:

Part	Drawing number Item reference	Part or assembly group name	Standard	Shape, Dimension Designation	Qty
			DIMENSION, mm	SCALE	DATE
				1:10	2008-05-12
THIRD ANGLE VIEW					
NOTE					
General Tolerances :					
STL/SC-R107-M.5					
Dimension 0' x 10' x 7' (Height)					
SC0107-45d					
APPROVAL					
DESIGNED BY			DRAWN BY		
2008-05-12			ling		
Project: STL/SC-R107-M.5					
Product: Split Openair (TM) Split Wall Cleanroom					



S/S BOLT M8X20

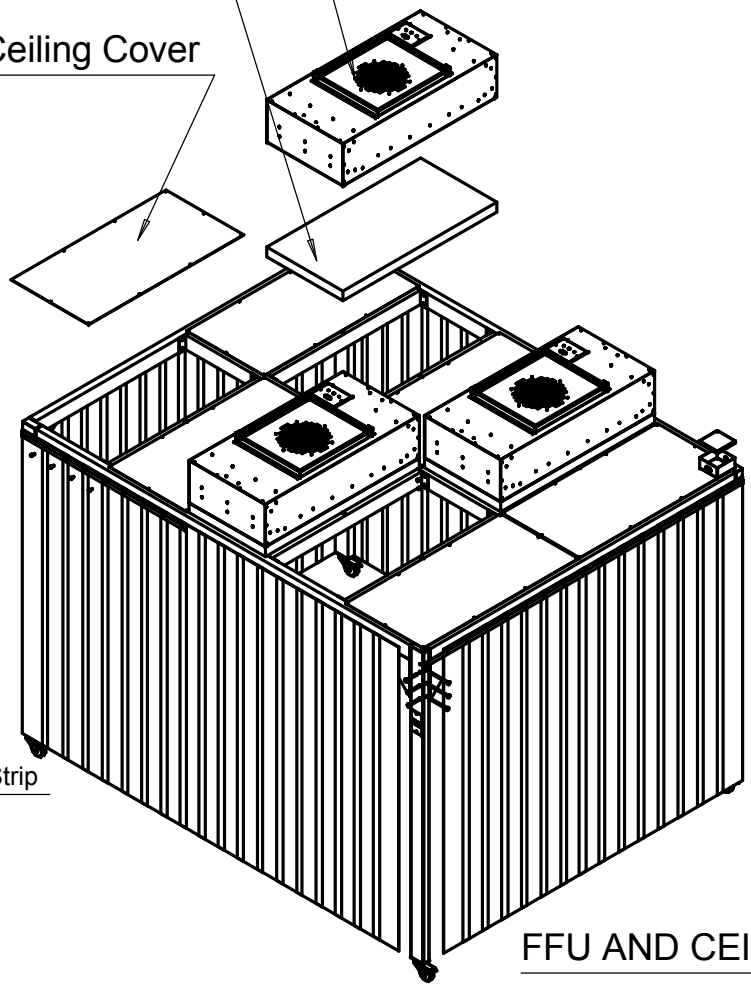


"T" CONNECTION DETAIL

Fan Filter Unit

HEPA Filter

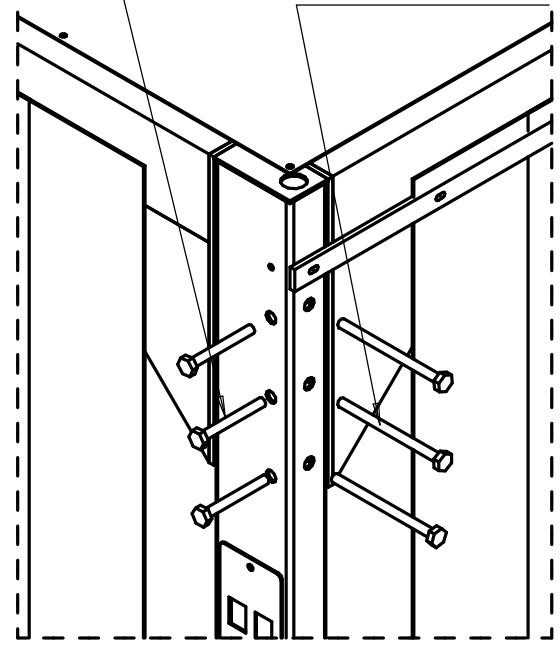
Ceiling Cover



FFU AND CEILING COVER CONNECTION DETAIL

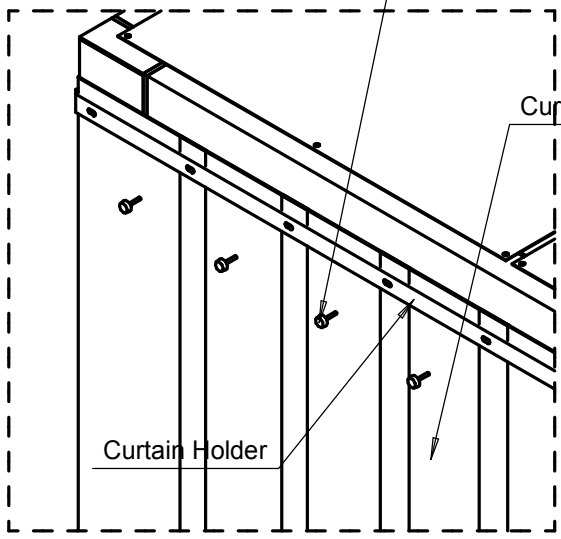
S/S BOLT M10X80

S/S BOLT M10X130



CORNER CONNECTION DETAIL

PANHEAD SCREW M4X20



CURTAIN HOLDER CONNECTION DETAIL

Curtain Strip

Curtain Holder

"PLEASE READ DISCLAIMER SIGNATURE OF APPROVAL"

Esco requires a signature of approval before we can proceed with design and fabrication. Carefully review the submittal package (project specifications and drawings) and sign below. Contact Esco immediately if there are any to or concerns about submittal package. Any revisions after receipt of the initial submittal package may result in a pricing change. Any revisions after the final approval will result in an additional charge.

Customer Signature of Approval:

Part	Drawing number item reference	Part or assembly group name	Standard	Shape, Dimension Designation	Quality	Qty
NOTE			THIRD ANGLE VIEW	DIMENSION : mm	SCALE 1:25	DATE 2008-05-12
General Tolerances :			STL/SC-0107-M.5			
			Dimension 0' x 10' x 7' (Height)			
			SC0107-45f			
APPROVAL	CHECKED BY	DESIGNED BY	DRAWN BY			
		2008-05-12	ling			
Project: STL/SC-0107-M.5			Product: Soft Capaci (TM) Soft Wall Cleanroom			ISO Class 4



PAPER SIZE
A3

