

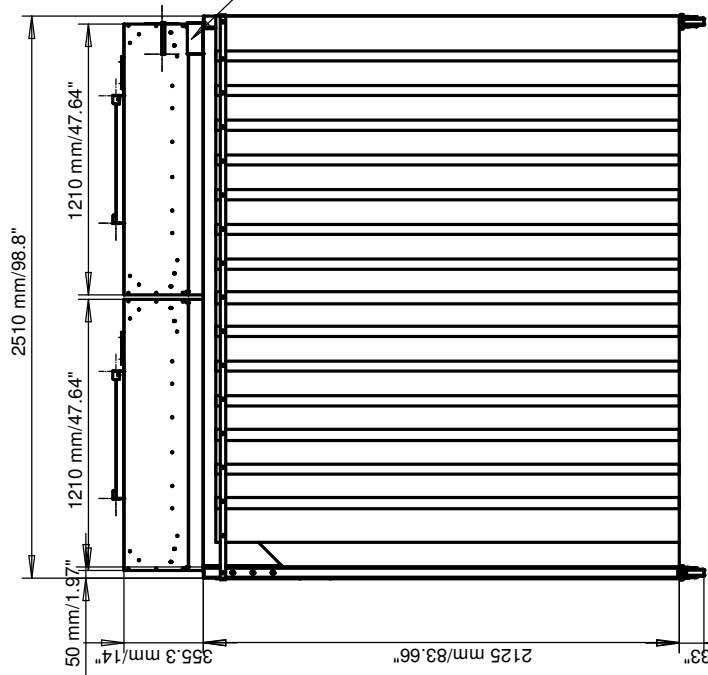
ISOMETRIC VIEW

"PLEASE READ DISCLAIMER SIGNATURE OF APPROVAL"

Esco requires a signature of approval before we can proceed with design and fabrication. Carefully review the submittal package (project specifications and drawings) and sign below. Contact Esco immediately if there are any questions or concerns about submittal package. Any revisions after receipt of the initial submittal package may result in a pricing change. Any revisions after the final approval will result in an additional charge.

Customer Signature of Approval:

Part	Drawing number, item reference	Part or assembly group name	Standard	Shape, Dimension Designation	Qty
			THIRD ANGLE VIEW	DIMENSION, mm	2008-05-12
			SCALE	1:10	DATE
STL/SC-R107-MS					
Dimension 0' x 10' x 7' (Height)					
SCB107-55c					
APPROVAL			CHECKED BY	DESIGNED BY	DRAWN BY
				2008-05-12	ling
NOTE					
General Tolerances :					
*These drawings and specifications are the exclusive property of Esco. Issue in strict confidence and shall not, without the prior written permission of Esco, be reproduced.					
PAPER SIZE		A3			
ESCO		WORLD CLASS WORLDWIDE			
Project: STL/SC-R107-MS			Product: Split Opened RHT Split Wall Cleanroom		
Sheet: 1			19 (Class 7)		

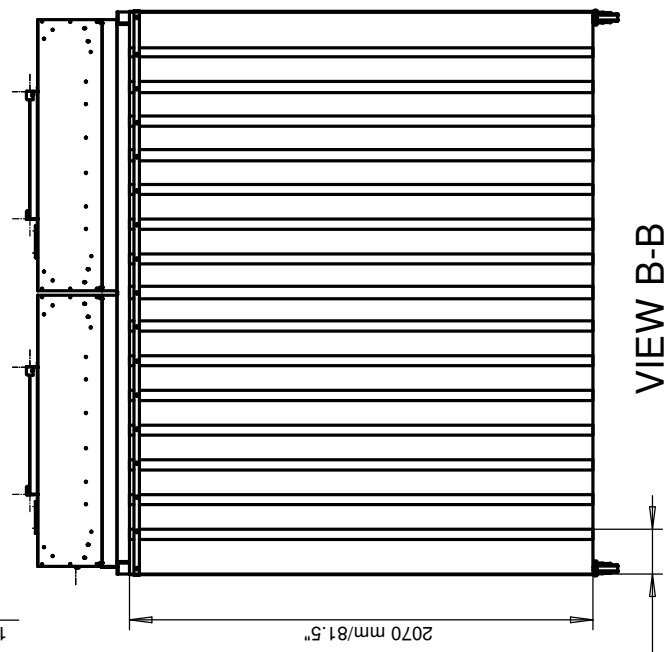


VIEW A-A

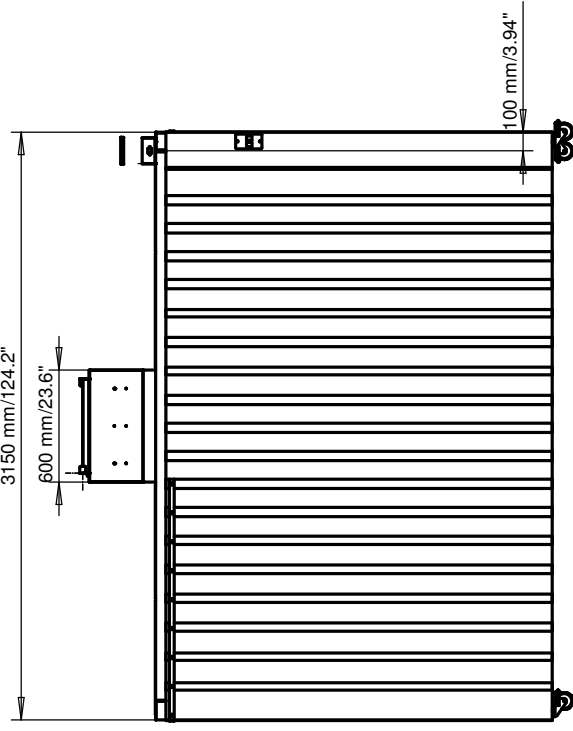
ELEVATION VIEW

NOTES :

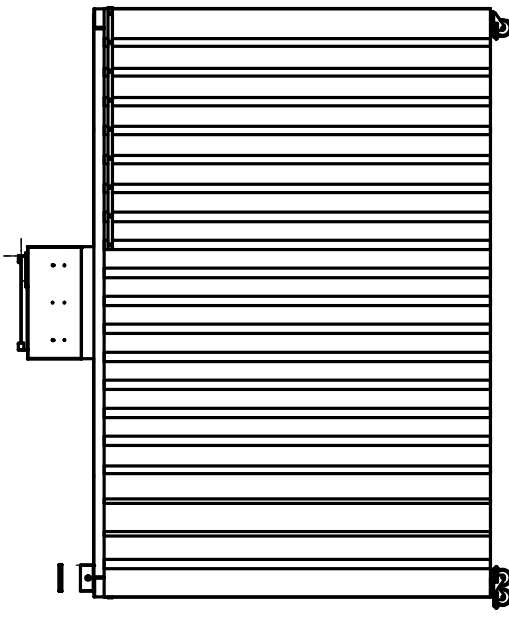
Curtain Dimension : 2070mm/81.5"/200mm/7.87"



VIEW B-B



VIEW C-C



VIEW D-D

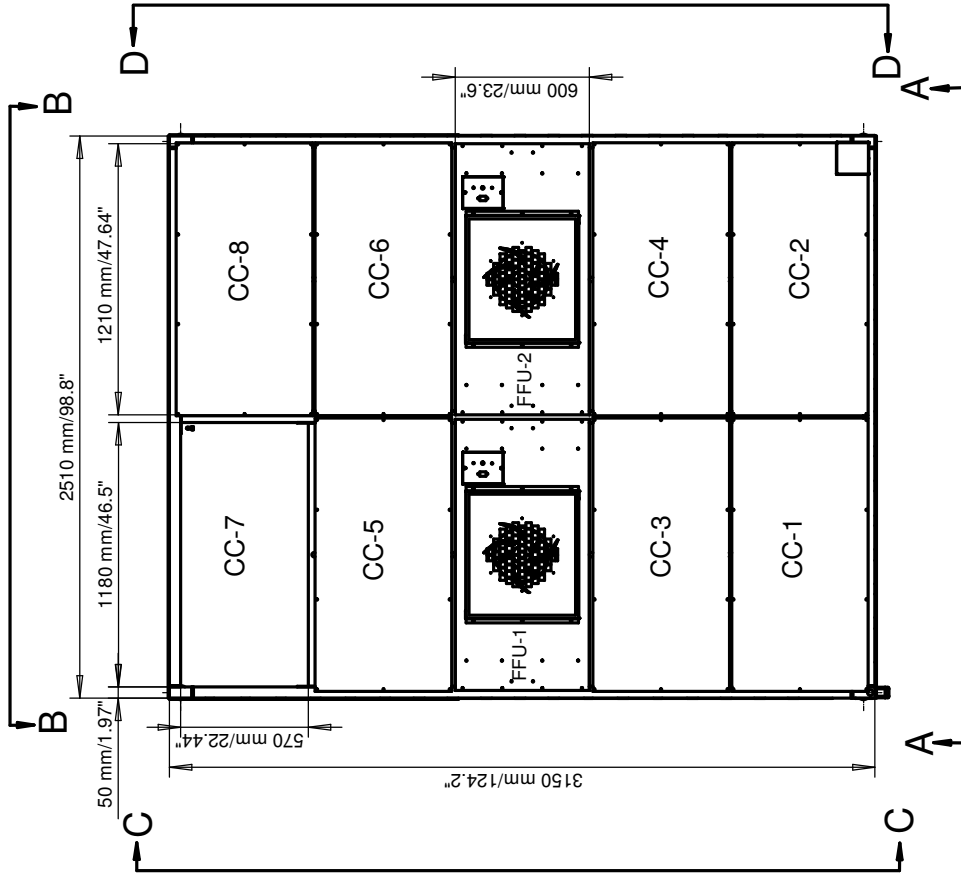
"PLEASE READ DISCLAIMER SIGNATURE OF APPROVAL"
 Esco requires a signature of approval before we can proceed with design and fabrication. Carefully review the submittal package (project specifications and drawings) and sign below. Contact Esco immediately if there are any to or concerns about submittal package. Any revisions after receipt of the initial submittal package may result in a pricing change. Any revisions after the final approval will result in an additional charge.
 Customer Signature of Approval:

Part	Drawing number	Item reference	Part or assembly group name	Standard	Shape	Dimension Designation	Quality	Qty	
THIRD ANGLE VIEW	DIMENSION	mm	SCALE	1:15	DATE	2008-05-12			
STL/SC-R107-MS.5				Dimension 0' x 10' x 7' (height)					
SC0107-55a				APPROVAL					
CHECKED BY				DESIGNED BY		DRAWN BY			
				2008-05-12		ling			
Project: STL/SC-R107-MS.5				Product: Split Operate (TM) Split Wall (Covered)					50 Lines 7

PAPER SIZE A3

WORLD CLASS WORLDWIDE

NOTE
 General Tolerances :
 *These drawings and specifications are the exclusive property of Esco. Issues in office conference and shall not, without the prior written permission of Esco, be reproduced.



PLAN VIEW

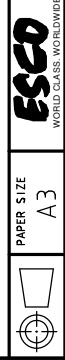
- NOTES :**
- ISO Class 7* - Class 10.000**
- (2) FFU 2'x4' AND HEPA 2'x4'
- (FFU-1) Fan filter Unit - 2'x4' and HEPA 2'x4
 - (FFU-2) Fan filter Unit - 2'x4' and HEPA 2'x4
- (8) CEILING COVER
- (CC-1) Ceiling Cover - 2'x4'
 - (CC-2) Ceiling Cover - 2'x4'
 - (CC-3) Ceiling Cover - 2'x4'
 - (CC-4) Ceiling Cover - 2'x4'
 - (CC-5) Ceiling Cover - 2'x4'
 - (CC-6) Ceiling Cover - 2'x4'
 - (CC-7) Ceiling Cover - 2'x4'
 - (CC-8) Ceiling Cover - 2'x4'

"PLEASE READ DISCLAIMER SIGNATURE OF APPROVAL"

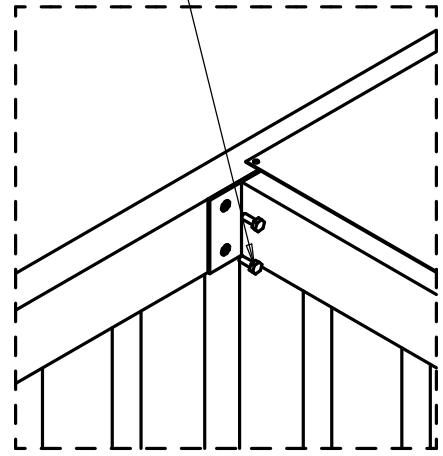
Esco requires a signature of approval before we can proceed with design and fabrication. Carefully review the submittal package (project specifications and drawings) and sign below. Contact Esco immediately if there are any to or concerns about submittal package. Any revisions after receipt of the initial submittal package may result in a pricing change. Any revisions after the final approval will result in an additional charge.

Customer Signature of Approval:

Part	Drawing number / Item reference	Part or assembly group name	Standard	Shape, Dimension Designation	Qty
			THIRD ANGLE VIEW	DIMENSION, mm	2008-05-12
			SCALE	1:15	DATE
STL/SC-R107-MS					
Dimension 0' x 10' x 7' (Height)					
SC0107-55d					
APPROVAL			CHECKED BY	DESIGNED BY	DRAWN BY
				2008-05-12	ling
Project: STL/SC-R107-MS					
Product: Split Openair (TM) Split Wall Cleanroom					



S/S BOLT M8X20

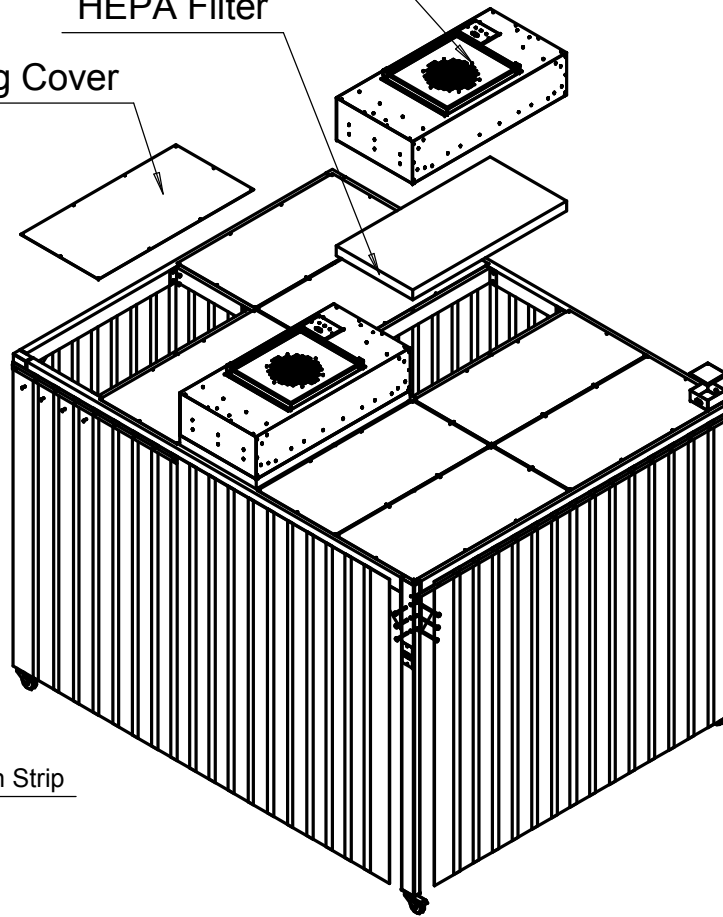


"T" CONNECTION DETAIL

Fan Filter Unit

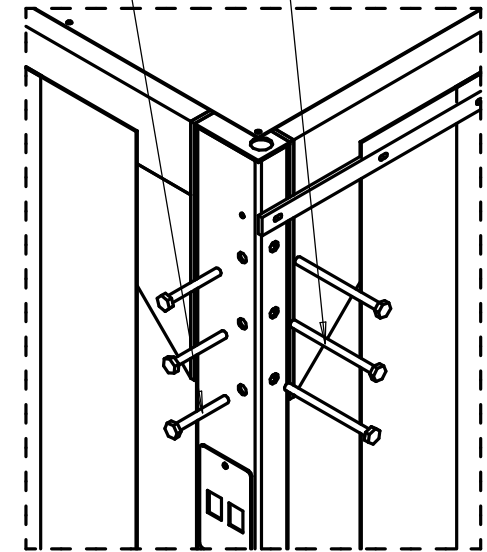
HEPA Filter

Ceiling Cover



S/S BOLT M10X80

S/S BOLT M10X130

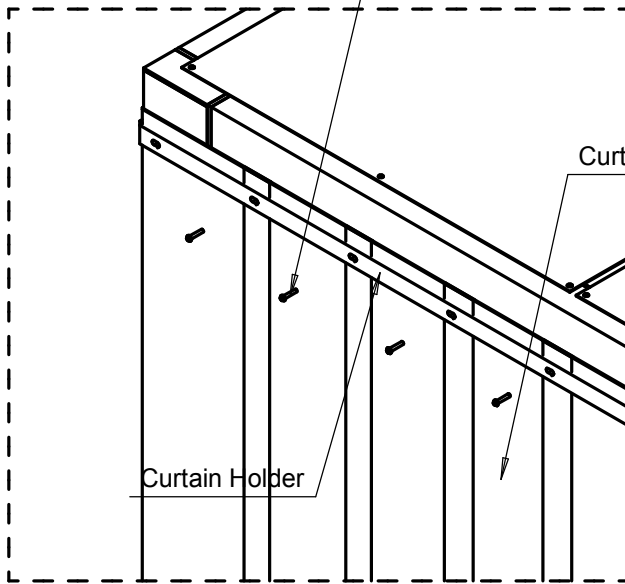


CORNER CONNECTION DETAIL

PANHEAD SCREW M4X20

Curtain Strip

Curtain Holder



CURTAIN HOLDER CONNECTION DETAIL

FFU AND CEILING COVER CONNECTION DETAIL

"PLEASE READ DISCLAIMER SIGNATURE OF APPROVAL"

Esco requires a signature of approval before we can proceed with design and fabrication. Carefully review the submittal package (project specifications and drawings) and sign below. Contact Esco immediately if there are any to or concerns about submittal package. Any revisions after receipt of the initial submittal package may result in a pricing change. Any revisions after the final approval will result in an additional charge.

Customer Signature of Approval:

Part	Drawing number item reference	Part or assembly group name	Standard	Shape, Dimension Designation	Quality	Qty
NOTE			THIRD ANGLE VIEW	DIMENSION : mm	SCALE 1:25	DATE 2008-05-12
General Tolerances :			STL/SC-0107-MS.5			
			Dimension 0' x 10' x 7' (Height)			
			SC0107-55f			
APPROVAL	CHECKED BY	DESIGNED BY	DRAWN BY			
		2008-05-12	ling			
Project: STL/SC-0107-MS.5			Product: Soft Capsule (TM) Soft Hall Classroom			ISO Class 7



PAPER SIZE
A3

