

**ISOMETRIC VIEW**

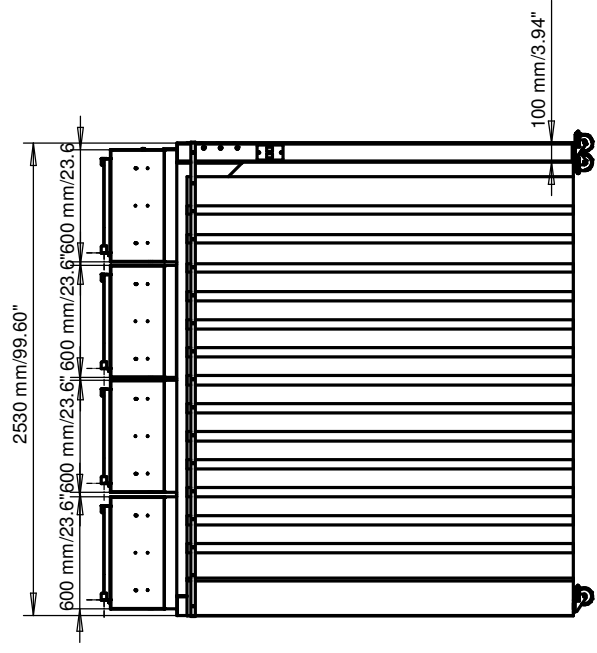
"PLEASE READ DISCLAIMER SIGNATURE OF APPROVAL"

Esco requires a signature of approval before we can proceed with design and fabrication. Carefully review the submittal package (project specifications and drawings) and sign below. Contact Esco immediately if there are any to or concerns about submittal package. Any revisions after receipt of the initial submittal package may result in a pricing change. Any revisions after the final approval will result in an additional charge.

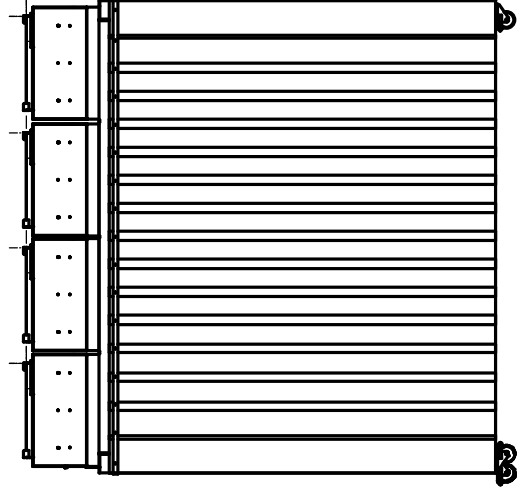
Customer Signature of Approval: \_\_\_\_\_

Part	Drawing number / Item reference	Part or assembly group name	Standard	Dimension, mm	SCALE	1:15	DATE	2007-01-13	Qty
NOTE									
General Tolerances :									
"These drawings and specifications are the exclusive property of Esco. Issue in strict confidence and shall not, without the prior written permission of Esco, be reproduced."									
APPROVAL									
CHECKED BY: _____ DESIGNED BY: _____									
2007-01-13									
DRAWN BY: _____									
STL/SC-R127-AB.5									
Dimension 0' x 12' x 7' (Height)									
SC0127_Assyc									
Product: STL/SC-R127-AB.5									
Project: Split Opacite (TM) Split Wall Cleverest									
ISO Class 3									

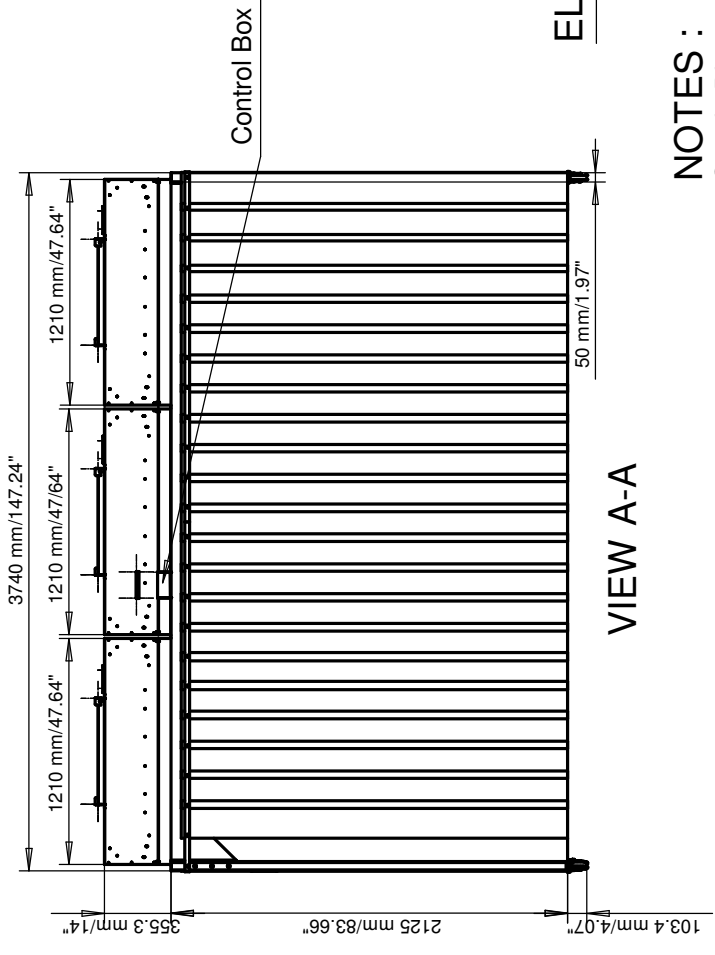




VIEW C-C

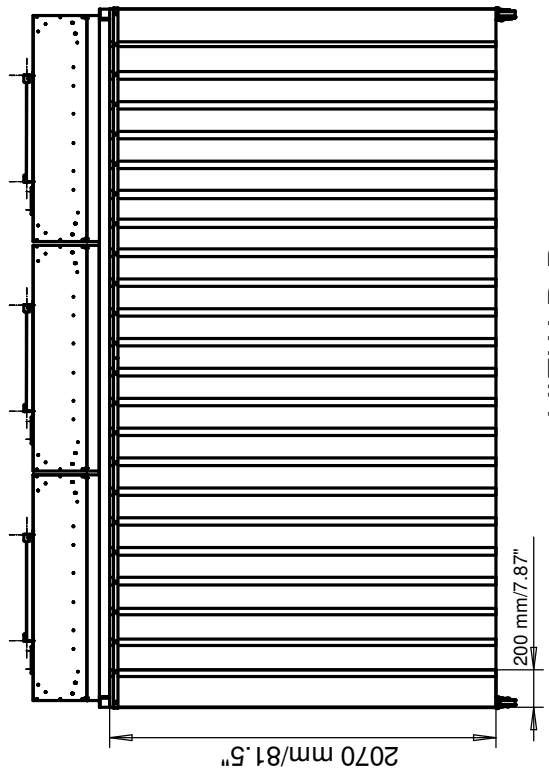


VIEW D-D



ELEVATION VIEW

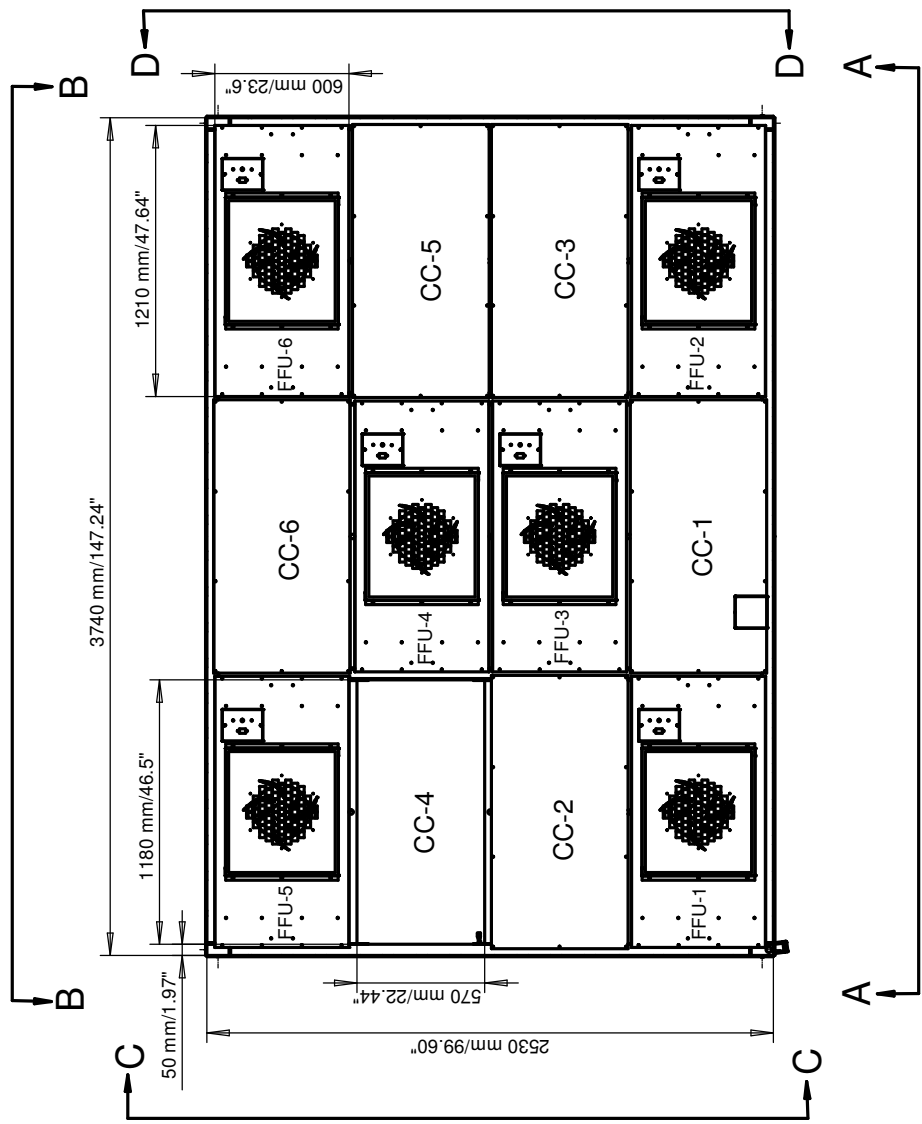
NOTES :  
Curtain Dimension : 2070mm/81.5"x200mm/7.87"



VIEW A-A

"PLEASE READ DISCLAIMER SIGNATURE OF APPROVAL"  
Esco requires a signature of approval before we can proceed with design and fabrication. Carefully review the submittal package (project specifications and drawings) and sign below. Contact Esco immediately if there are any to or concerns about submittal package. Any revisions after receipt of the initial submittal package may result in a pricing change. Any revisions after the final approval will result in an additional charge.  
Customer Signature of Approval:

Part	Drawing number / Item reference	Part or assembly group name	Standard	Shape, Dimension Designation	Quality	Qty		
			THIRD ANGLE VIEW	DIMENSION, mm	SCALE	1:15	DATE	2007-01-13
NOTE								
General Tolerances :								
*These drawings and specifications are the exclusive property of Esco. Issues in electronic form and shall not, without the prior written permission of Esco, be reproduced.								
APPROVAL								
CHECKED BY							DESIGNED BY	2007-01-13
							ling	
PROJECT: STL/SC-R127-03.5							Product: Split Opacite (TM) Split Wall Cleverline	
PAPER SIZE							A3	
ESCO							WORLD CLASS WORLDWIDE	
99							Sheet 3	



**NOTES :**  
**ISO Class 5\* - Class 100**

- (6) FFU 2'x4' AND HEPA 2'x4'
- (FFU-1) fan Filter Unit - 2'x4 and HEPA 2'x4'
  - (FFU-2) fan Filter Unit - 2'x4 and HEPA 2'x4'
  - (FFU-3) fan Filter Unit - 2'x4 and HEPA 2'x4'
  - (FFU-4) fan Filter Unit - 2'x4 and HEPA 2'x4'
  - (FFU-5) fan Filter Unit - 2'x4 and HEPA 2'x4'
  - (FFU-6) fan Filter Unit - 2'x4 and HEPA 2'x4'

(6) CEILING COVER

- (CC-1) Ceiling Cover - 2'x4'
- (CC-2) Ceiling Cover - 2'x4'
- (CC-3) Ceiling Cover - 2'x4'
- (CC-4) Ceiling Cover - 2'x4'
- (CC-5) Ceiling Cover - 2'x4'
- (CC-6) Ceiling Cover - 2'x4'

"PLEASE READ DISCLAIMER SIGNATURE OF APPROVAL"  
 Esco requires a signature of approval before we can proceed with design and fabrication. Carefully review the submittal package (project specifications and drawings) and sign below. Contact Esco immediately if there are any to or concerns about submittal package. Any revisions after receipt of the initial submittal package may result in a pricing change. Any revisions after the final approval will result in an additional charge.  
 Customer Signature of Approval:

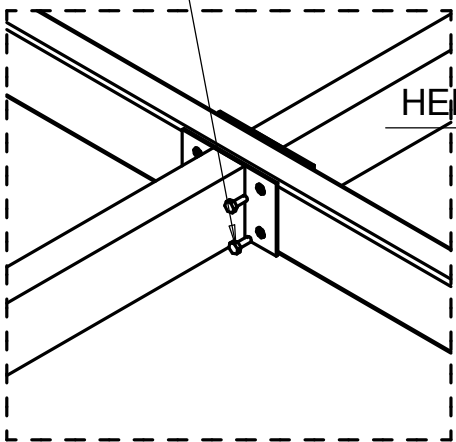
**PLAN VIEW**

Part	Drawing number / Item reference	Part or assembly group name	Standard	Shape, Dimension Designation	Quantity	Qty
			Dimension, mm	SCALE	1:15	DATE
						2007-01-13
<p>THIRD ANGLE VIEW</p>						
<p>STL/SC-R127-AB.5</p>						
<p>Dimension 0' x 12' x 7' (Height)</p>						
<p>SC0127_Assy</p>						
<p>APPROVAL</p>						
			CHECKED BY	DESIGNED BY	DRAWN BY	
				2007-01-13	ling	
<p>Project: STL/SC-R127-AB.5</p>						
<p>Product: Split cassette (TM) Split Wall (Ceiling)</p>						
<p>ISO Class 5</p>						



These drawings and specifications are the exclusive property of Esco. Issue in strict confidence and shall not, without the prior written permission of Esco, be reproduced.

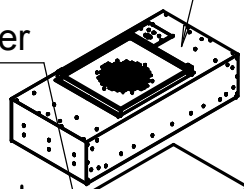
S/S BOLT M8X20



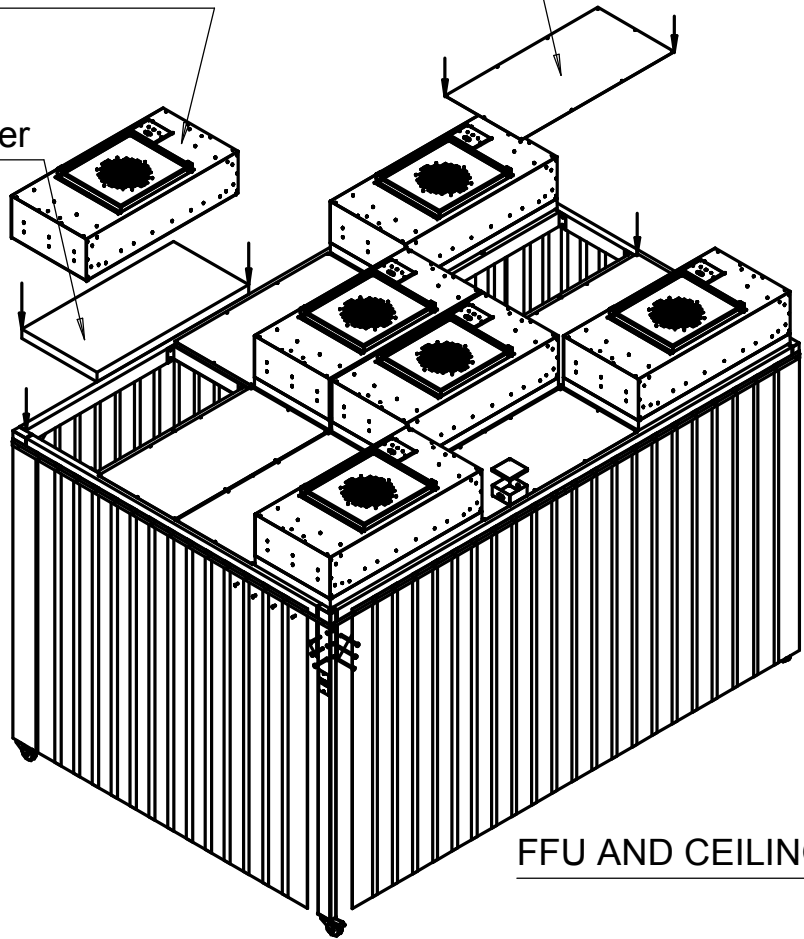
"T" CONNECTION DETAIL

Fan Filter Unit

HEPA Filter



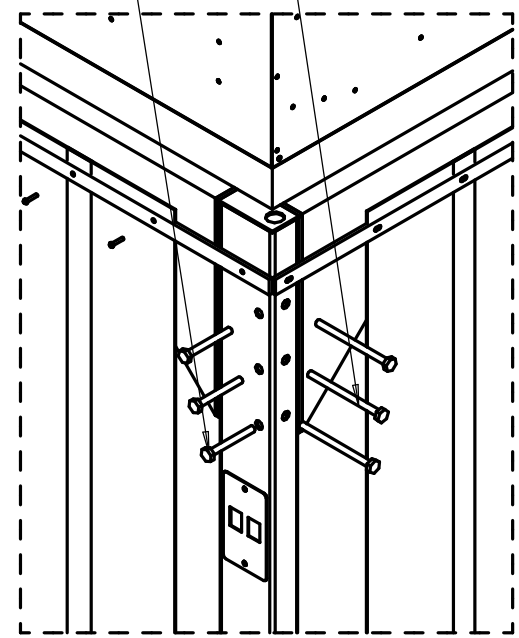
Ceiling Cover



FFU AND CEILING COVER CONNECTION DETAIL

S/S BOLT M10X80

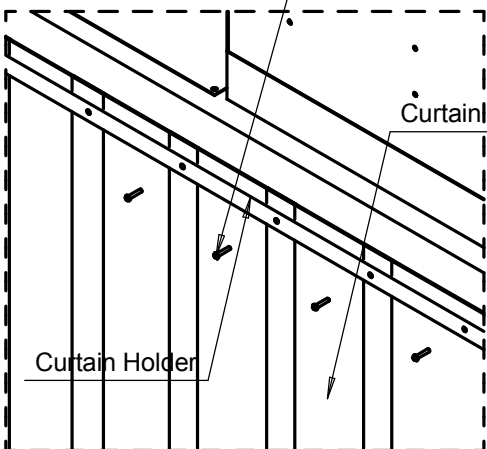
S/S BOLT M10X130



CORNER CONNECTION DETAIL

PANHEAD SCREW M4X20

CurtainStrip



Curtain Holder

CURTAIN HOLDER CONNECTION DETAIL

"PLEASE READ DISCLAIMER SIGNATURE OF APPROVAL"

Esco requires a signature of approval before we can proceed with design and fabrication. Carefully review the submittal package (project specifications and drawings) and sign below. Contact Esco immediately if there are any to or concerns about submittal package. Any revisions after receipt of the initial submittal package may result in a pricing change. Any revisions after the final approval will result in an additional charge.

Customer Signature of Approval:

Part	Drawing number item reference	Part or assembly group name	Standard	Shape, Dimension Designation	Quality	Qty
NOTE			THIRD ANGLE VIEW	DIMENSION : mm	SCALE : 1/25	DATE : 2007-01-13
General Tolerances :			<b>STL/SC-0127-HB.5</b>			
			<b>Dimension 8' x 12' x 7' (Height)</b>			
			<b>SCB127_Assy</b>			
APPROVAL	CHECKED BY	DESIGNED BY	DRAWN BY			
		ling				
Project: STL/SC-0127-HB.5			Product: Soft Capsule 1700 Soft Wall Cleanroom			ISO Class 5



PAPER SIZE  
A3

