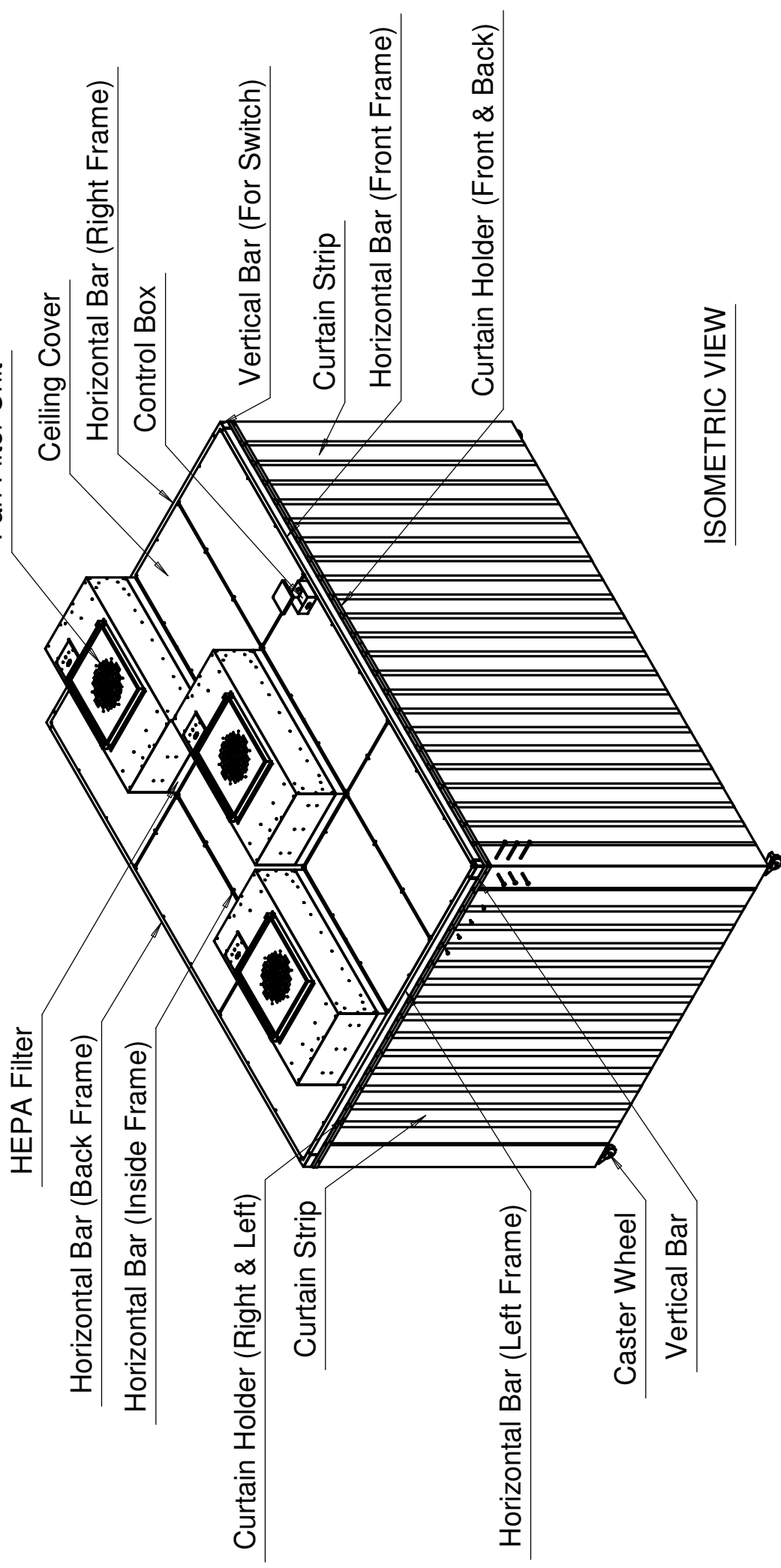


Fan Filter Unit

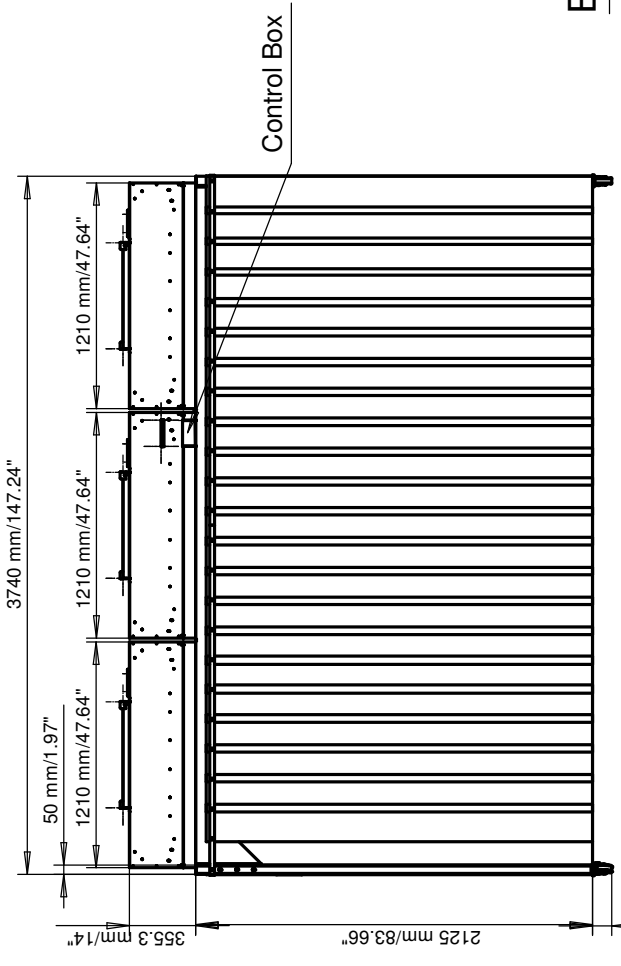


ISOMETRIC VIEW

"PLEASE READ DISCLAIMER SIGNATURE OF APPROVAL"
 Esco requires a signature of approval before we can proceed with design and fabrication. Carefully review the submittal package (project specifications and drawings) and sign below. Contact Esco immediately if there are any to or concerns about submittal package. Any revisions after receipt of the initial submittal package may result in a pricing change. Any revisions after the final approval will result in an additional charge.
 Customer Signature of Approval: _____

Part	Drawing number, item reference	Part or assembly group name	Standard	Shape, Dimension Designation	Quantity	Qty
			Dimension, mm	SCALE	1:15	DATE
						2007-01-13
NOTE						
General Tolerances :						
"These drawings and specifications are the exclusive property of Esco. Issues in office conference and shall not, without the prior written permission of Esco, be reproduced."						
APPROVAL						
STL/SC-R127-M.5			Dimension 0' x 12' x 7' (Height)			
SC0127-45c			DRAWN BY			
CHECKED BY			DESIGNED BY			
			2007-01-13			
			iling			
			Product: Split Openair (TM) Split Wall Cleanroom			
			50 Unit x 6			

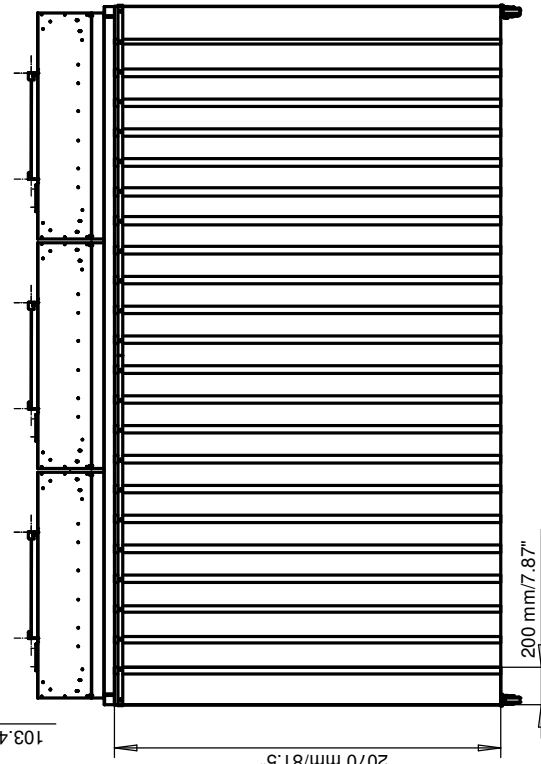
PAPER SIZE A3
ESCO
 WORLD CLASS WORLDWIDE



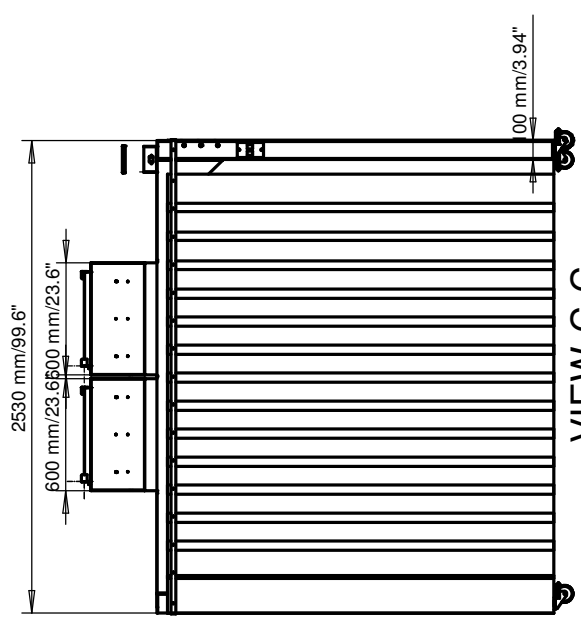
VIEW A-A

ELEVATION VIEW

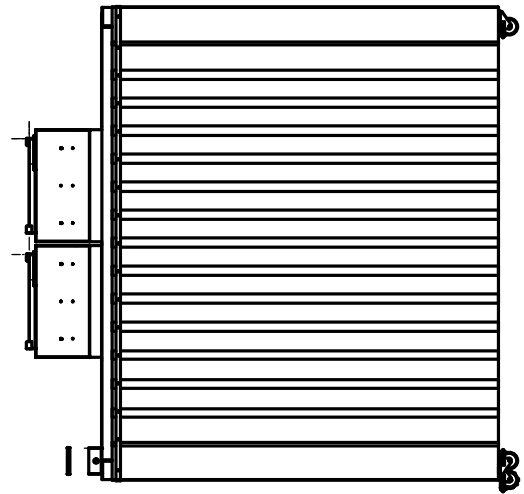
NOTES :
Curtain Dimension : 2070mm/81.5"x200mm/7.87"



VIEW B-B



VIEW C-C

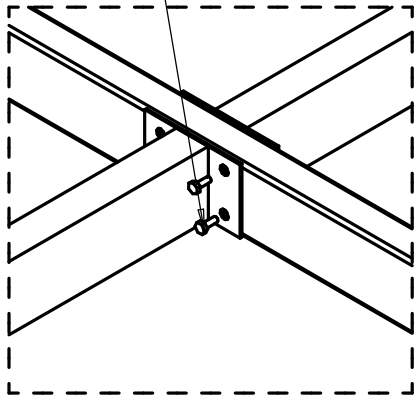


VIEW D-D

"PLEASE READ DISCLAIMER SIGNATURE OF APPROVAL"
Esco requires a signature of approval before we can proceed with design and fabrication. Carefully review the submittal package (project specifications and drawings) and sign below. Contact Esco immediately if there are any to or concerns about submittal package. Any revisions after receipt of the initial submittal package may result in a pricing change. Any revisions after the final approval will result in an additional charge.
Customer Signature of Approval:

Part	Drawing number, Item reference	Part or assembly group name	Standard	Shape, Dimension Designation	Quality	Qty
THIRD ANGLE VIEW	DIMENSION, mm	SCALE	1:15	DATE	2007-01-13	
STL/SC-R127-M.5						
Dimension 0' x 12' x 7' (Height)						
SC0127-454						
APPROVAL			CHECKED BY	DESIGNED BY	DRAWN BY	
				2007-01-13	ling	

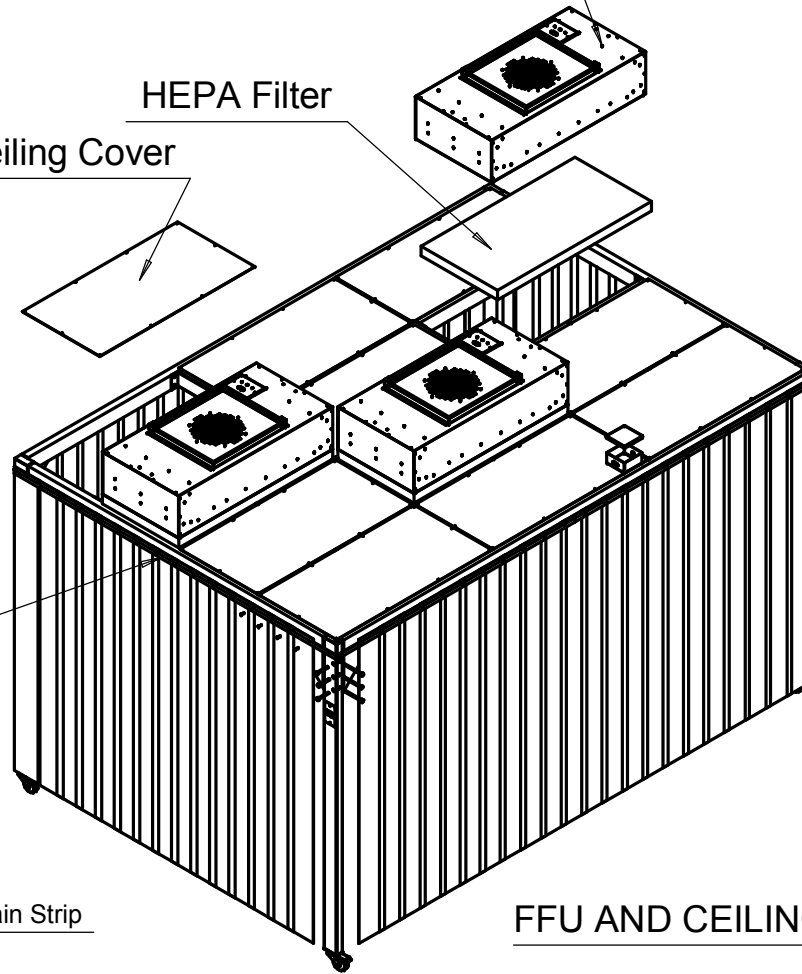
S/S BOLT M8X20



"T" CONNECTION DETAIL

Fan Filter Unit

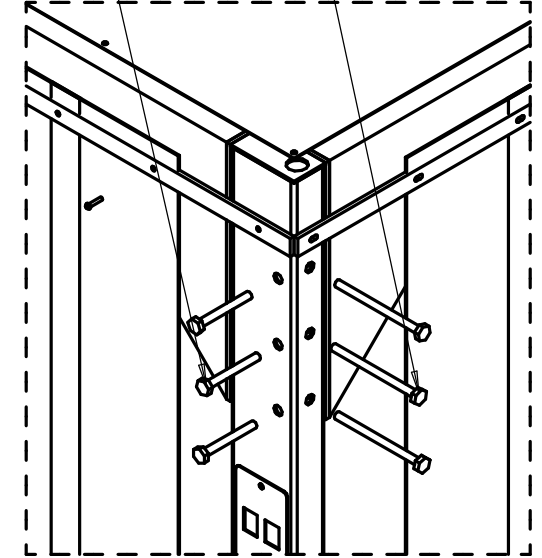
HEPA Filter
Ceiling Cover



FFU AND CEILING COVER CONNECTION DETAIL

S/S BOLT M10X80

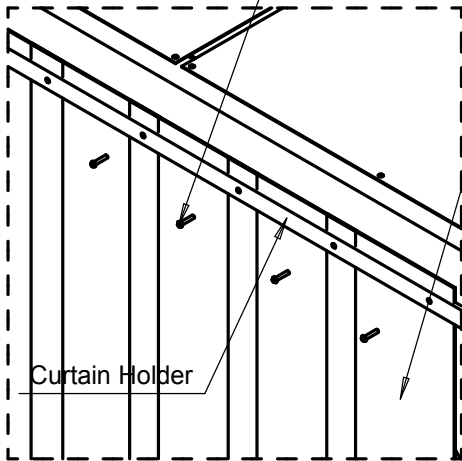
S/S BOLT M10X130



CORNER CONNECTION DETAIL

Curtain Holder

PANHEAD SCREW M4X20



Curtain Strip

Curtain Holder

CURTAIN HOLDER CONNECTION DETAIL

"PLEASE READ DISCLAIMER SIGNATURE OF APPROVAL"

Esco requires a signature of approval before we can proceed with design and fabrication. Carefully review the submittal package (project specifications and drawings) and sign below. Contact Esco immediately if there are any to or concerns about submittal package. Any revisions after receipt of the initial submittal package may result in a pricing change. Any revisions after the final approval will result in an additional charge.

Customer Signature of Approval:

Part	Drawing number item reference	Part or assembly group name	Standard	Shape, Dimension Designation	Quality	Qty
NOTE			THIRD ANGLE VIEW	DIMENSION : mm	SCALE 1:25	DATE 2007-01-13
General Tolerances :			STL/SC-0127-M.5			
			Dimension 0" x 12 x 7" (Height)			
			SC0127-45f			
APPROVAL		CHECKED BY	DESIGNED BY	DRAWN BY		
			2007-01-13	ling		
PAPER SIZE A3			 WORLD CLASS, WORLDWIDE.		Project: STL/SC-0127-M.5	
			Product:		ISO Class 6	