

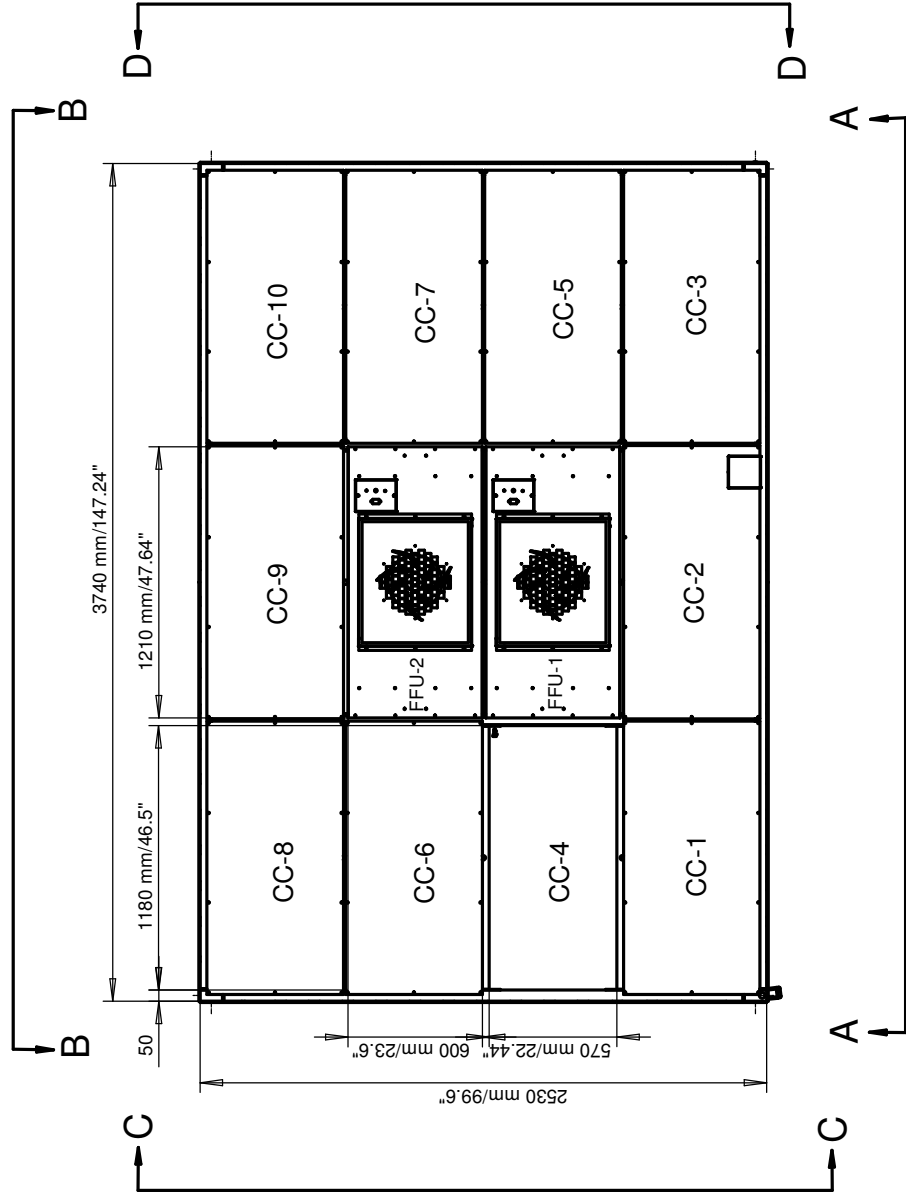
ISOMETRIC VIEW

"PLEASE READ DISCLAIMER SIGNATURE OF APPROVAL"
 Esco requires a signature of approval before we can proceed with design and fabrication. Carefully review the submittal package (project specifications and drawings) and sign below. Contact Esco immediately if there are any to or concerns about submittal package. Any revisions after receipt of the initial submittal package may result in a pricing change. Any revisions after the final approval will result in an additional charge.
 Customer Signature of Approval:

Part	Drawing number, item reference	Part or assembly group name	Standard	Shape, Dimension Designation	Quality	Qty
			DIMENSION, mm	SCALE	1/8" = 1/8"	DATE
						2007-01-13
NOTE						
General Tolerances :						
"These drawings and specifications are the exclusive property of Esco. Issue in strict confidence and shall not, without the prior written permission of Esco, be reproduced."						
APPROVAL						
STL/SC-R127-MS.5			Dimension 0' x 12' x 7' (Height)			
SC0127-55c			DRAWN BY			
CHECKED BY			DESIGNED BY			
			2007-01-13			
			iling			
			Product: Split Openair (TM) Split Wall Cleanroom			
			100 Level 7			

PAPER SIZE A3

ESCO
 WORLD CLASS WORLDWIDE



PLAN VIEW

NOTES :

ISO Class 7* - Class 10.000

- (2) FFU 2'x4' AND HEPA 2'x4'
- 1. (FFU-1) Fan filter Unit - 2'x4' and HEPA 2'x4'
- 2. (FFU-2) Fan filter Unit - 2'x4' and HEPA 2'x4'
- (10) CEILING COVER
- 1. (CC-1) Ceiling Cover - 2'x4'
- 2. (CC-2) Ceiling Cover - 2'x4'
- 3. (CC-3) Ceiling Cover - 2'x4'
- 4. (CC-4) Ceiling Cover - 2'x4'
- 5. (CC-5) Ceiling Cover - 2'x4'
- 6. (CC-6) Ceiling Cover - 2'x4'
- 7. (CC-7) Ceiling Cover - 2'x4'
- 8. (CC-8) Ceiling Cover - 2'x4'
- 9. (CC-9) Ceiling Cover - 2'x4'
- 10. (CC-10) Ceiling Cover - 2'x4'

"PLEASE READ DISCLAIMER SIGNATURE OF APPROVAL"

Esco requires a signature of approval before we can proceed with design and fabrication. Carefully review the submittal package (project specifications and drawings) and sign below. Contact Esco immediately if there are any to or concerns about submittal package. Any revisions, after receipt of the initial submittal package may result in a pricing change. Any revisions after the final approval will result in an additional charge.

Customer Signature of Approval:

Part	Drawing number from reference	Part or assembly group name	Standard	Shape, Dimension Designation	Qty
			THIRD ANGLE VIEW	SCALE 1:15	DATE 2007-01-13
NOTE					
General Tolerances :					
"These drawings and specifications are the exclusive property of Esco. Issue in strict confidence and shall not, without the prior written permission of Esco, be reproduced."					
APPROVAL					
STL/SC-R127-06.5			Dimension 0' x 12' x 7' (height)		
SC0127-55d			CHECKED BY: DESIGNED BY:		
			2007-01-13		
			ling		
			DRAWN BY:		
PAPER SIZE A3			Product: Split Opened (TM) Split Wall (Ceiling)		
ESCO			WORLD CLASS WORLDWIDE		
90 Line 7			90 Line 7		

S/S BOLT M8X20

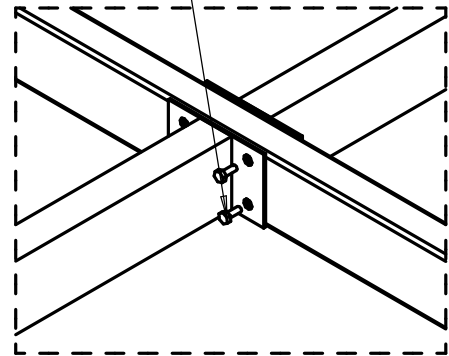
Fan Filter Unit

S/S BOLT M10X80

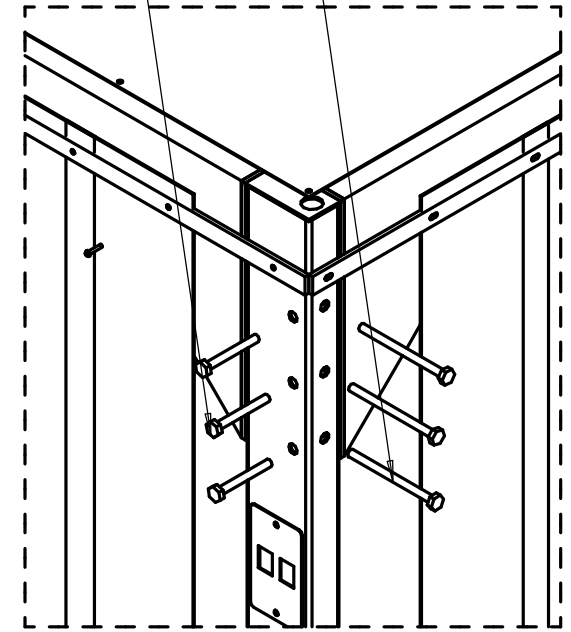
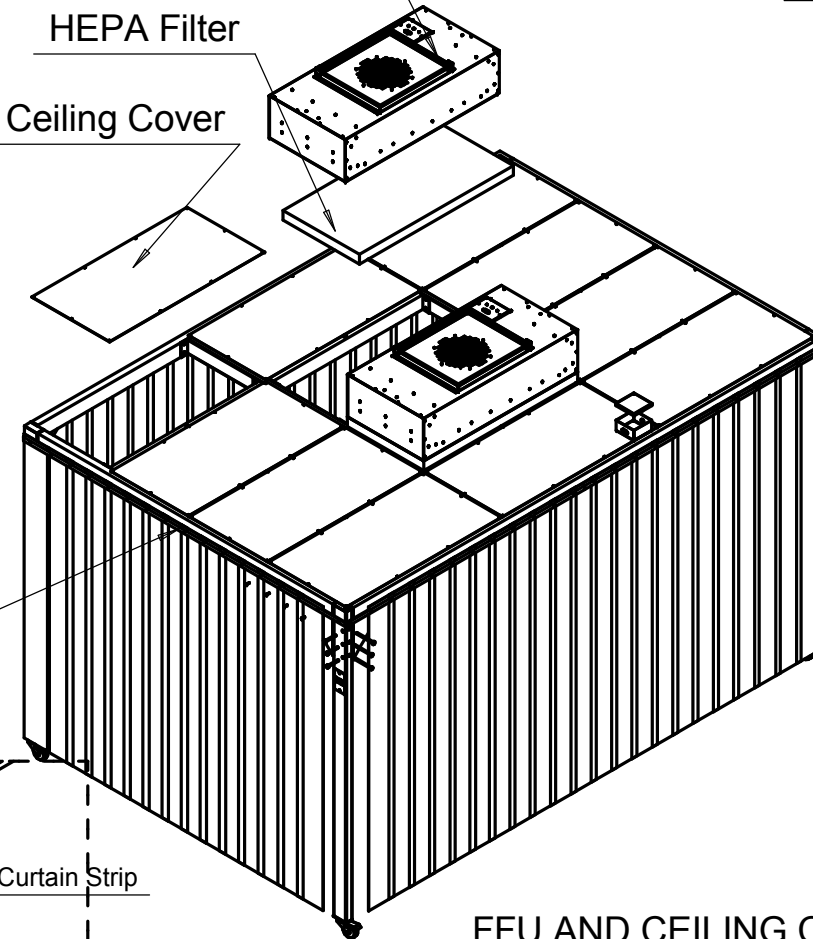
S/S BOLT M10X130

HEPA Filter

Ceiling Cover



"T" CONNECTION DETAIL

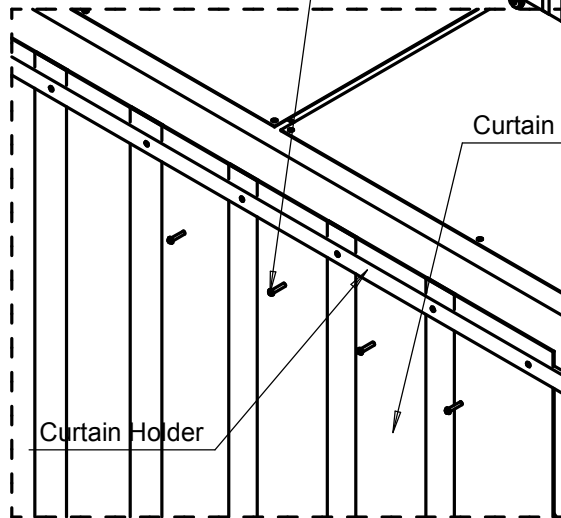


CORNER CONNECTION DETAIL

Curtain Holder

PANHEAD SCREW M4X20

Curtain Strip



CURTAIN HOLDER CONNECTION DETAIL

FFU AND CEILING COVER CONNECTION DETAIL

"PLEASE READ DISCLAIMER SIGNATURE OF APPROVAL"

Esco requires a signature of approval before we can proceed with design and fabrication. Carefully review the submittal package (project specifications and drawings) and sign below. Contact Esco immediately if there are any typos or concerns about submittal package. Any revisions after receipt of the initial submittal package may result in a pricing change. Any revisions after the final approval will result in an additional charge.

Customer Signature of Approval:

Part	Drawing number item reference	Part or assembly group name	Standard	Shape, Dimension Designation	Quality	Qty
NOTE			THIRD ANGLE VIEW	DIMENSION : mm	SCALE 1:25	DATE 2007-01-13
General Tolerances :			STL/SC-0127-MS.5			
"These drawings and specifications are the exclusive property of Esco. Issued in strict confidence and shall not, without the prior written permission of Esco, be reproduced"			Dimension 0' x 12' x 7' (Height)			
			SC0127-55f			
APPROVAL	CHECKED BY	DESIGNED BY	DRAWN BY			
			2007-01-13			
			ling			
PAPER SIZE A3						ISO Class 7
Project: STL/SC-0127-MS.5			Product: Self Capsule (TM) Self Mail Classroom			