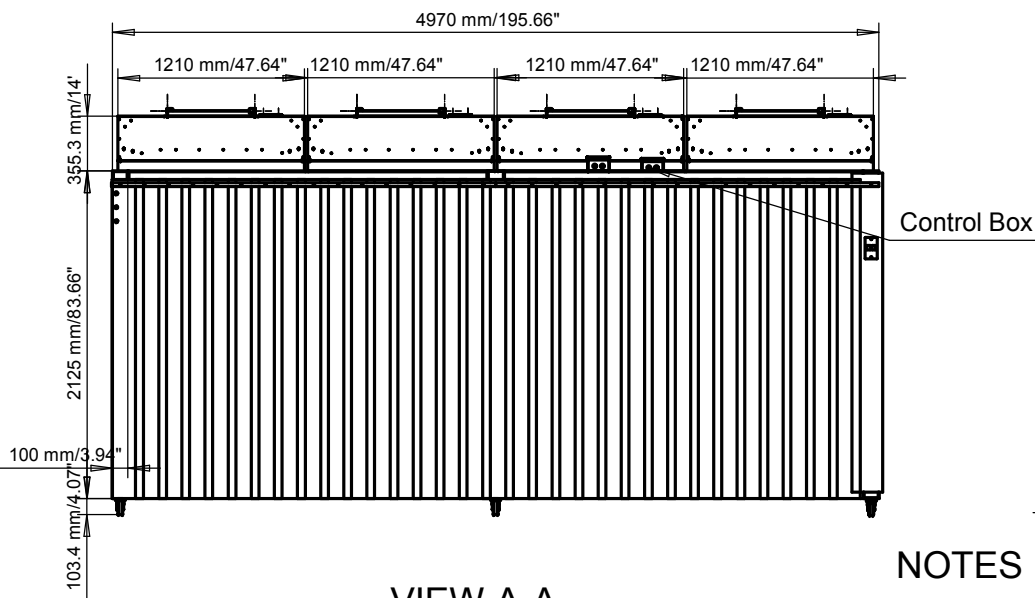


"PLEASE READ DISCLAIMER SIGNATURE OF APPROVAL"

Esco requires a signature of approval before we can proceed with design and fabrication. Carefully review the submittal package (project specifications and drawings) and sign below. Contact Esco immediately if there are any typos or concerns about submittal package. Any revisions after receipt of the initial submittal package may result in a pricing change. Any revisions after the final approval will result in an additional charge.

Customer Signature of Approval:

Part	Drawing number item reference	Part or assembly group name	Standard	Shape, Dimension Designation	Quality	Qty
NOTE			THIRD ANGLE VIEW	DIMENSION : mm	SCALE 1:25	DATE 2007-11-23
General Tolerances :			STL/SC-0167-4B.5			
			Dimension 0' x 16' x 7' (height)			
*These drawings and specifications are the exclusive property of Esco. Issued in strict confidence and shall not, without the prior written permission of Esco, be reproduced*			APPROVAL	CHECKED BY	DESIGNED BY	DRAWN BY
			PAPER SIZE A3			2007-11-23 Henri

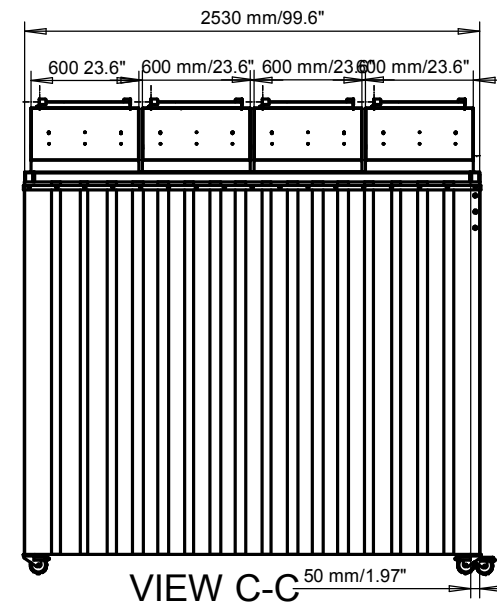


VIEW A-A

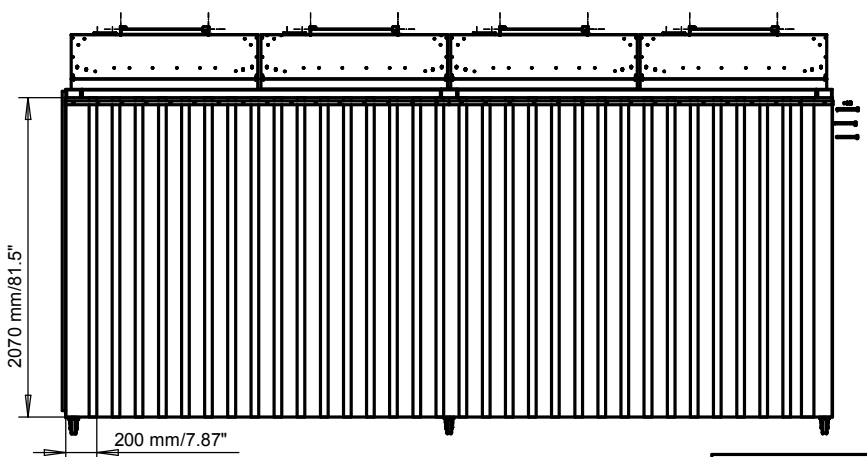
ELEVATION VIEW

NOTES :

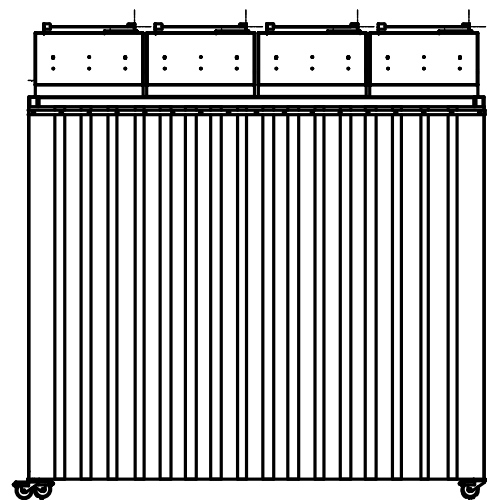
Curtain Dimension : 2070mm/81.5"x200/7.87"



VIEW C-C



VIEW B-B



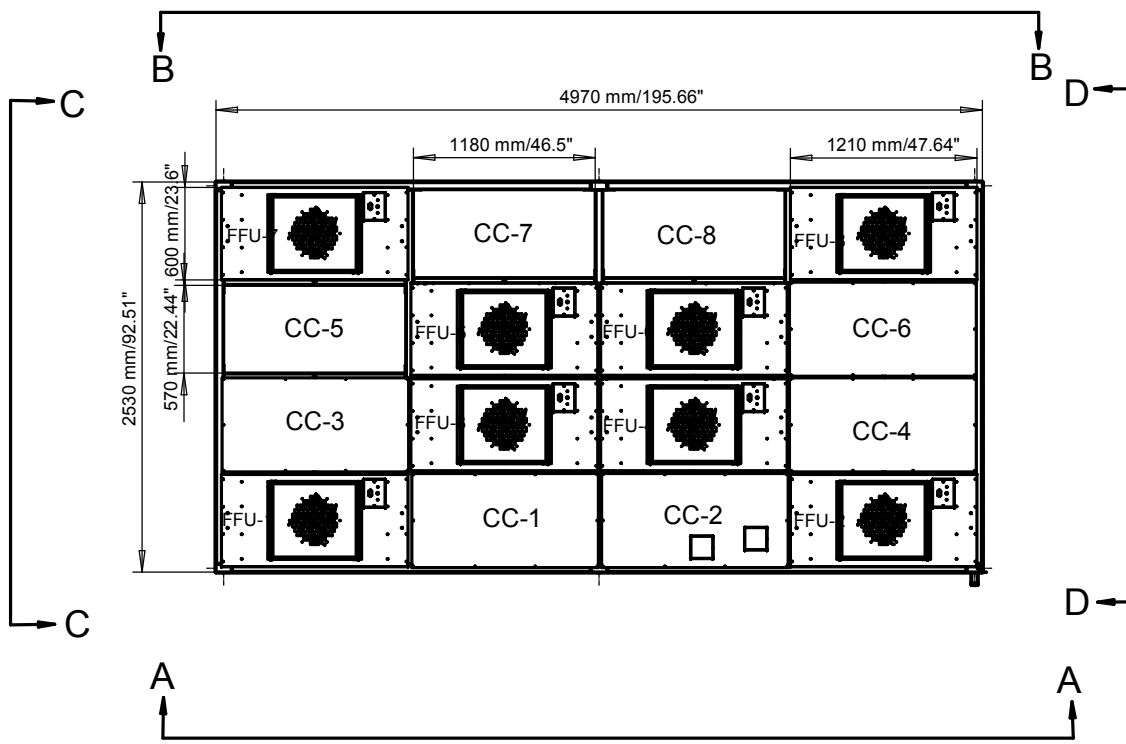
VIEW D-D

"PLEASE READ DISCLAIMER SIGNATURE OF APPROVAL"

Esco requires a signature of approval before we can proceed with design and fabrication. Carefully review the submittal package (project specifications and drawings) and sign below. Contact Esco immediately if there are any to or concerns about submittal package. Any revisions after receipt of the initial submittal package may result in a pricing change. Any revisions after the final approval will result in an additional charge.

Customer Signature of Approval:

Part	Drawing number item reference	Part or assembly group name	Standard	Shape, Dimension Designation	Quality	Qty
NOTE			THIRD ANGLE VIEW	DIMENSION : mm	SCALE 1:25	DATE 2007-11-23
General Tolerances :			STL/SC-0167-M.3.5			
"These drawings and specifications are the exclusive property of Esco. Issued in strict confidence and shall not, without the prior written permission of Esco, be reproduced"			Dimension 0' x 16' x 7' (Height)			
Customer Signature of Approval:			SC0167_FAD			
APPROVAL		CHECKED BY	DESIGNED BY	DRAWN BY		
			2007-11-23	ling		
PAPER SIZE A3		ESCO WORLD CLASS, WORLDWIDE.		Project: STL/SC-0167-M.3.5		Product: Soft Capsule (TM) Soft Wall Classroom ISO Class 5



PLAN VIEW

**NOTES :**

**ISO Class 5\* - Class 100**

(8) FFU 2'x4' AND HEPA 2'x4'

1. (FFU-1) fan Filter Unit - 2'x4' and HEPA 2'x4'
2. (FFU-2) fan Filter Unit - 2'x4' and HEPA 2'x4'
3. (FFU-3) fan Filter Unit - 2'x4' and HEPA 2'x4'
4. (FFU-4) fan Filter Unit - 2'x4' and HEPA 2'x4'
5. (FFU-5) fan Filter Unit - 2'x4' and HEPA 2'x4'
6. (FFU-6) fan Filter Unit - 2'x4' and HEPA 2'x4'
7. (FFU-7) fan Filter Unit - 2'x4' and HEPA 2'x4'
8. (FFU-8) fan Filter Unit - 2'x4' and HEPA 2'x4'

(8) CEILING COVER

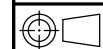
1. (CC-1) Ceiling Cover - 2'x4'
2. (CC-2) Ceiling Cover - 2'x4'
3. (CC-3) Ceiling Cover - 2'x4'
4. (CC-4) Ceiling Cover - 2'x4'
5. (CC-5) Ceiling Cover - 2'x4'
6. (CC-6) Ceiling Cover - 2'x4'
7. (CC-7) Ceiling Cover - 2'x4'
8. (CC-8) Ceiling Cover - 2'x4'

**"PLEASE READ DISCLAIMER SIGNATURE OF APPROVAL"**

Esco requires a signature of approval before we can proceed with design and fabrication. Carefully review the submittal package (project specifications and drawings) and sign below. Contact Esco immediately if there are any to or concerns about submittal package. Any revisions after receipt of the initial submittal package may result in a pricing change. Any revisions after the final approval will result in an additional charge.

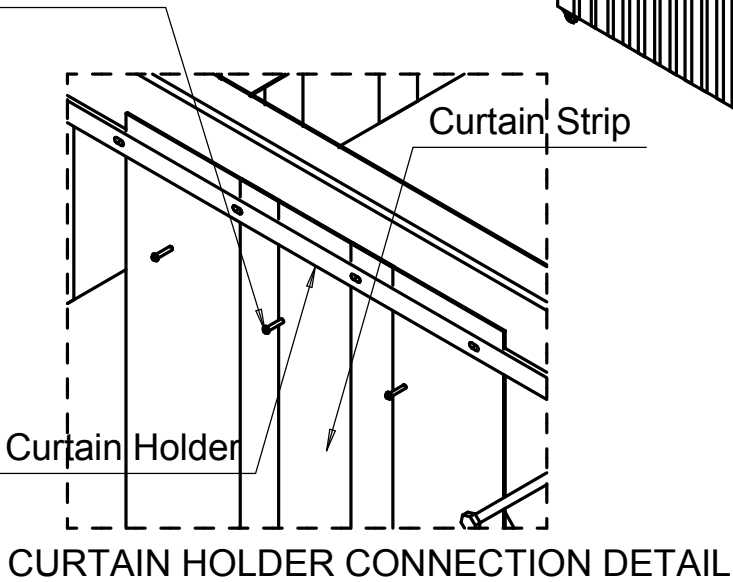
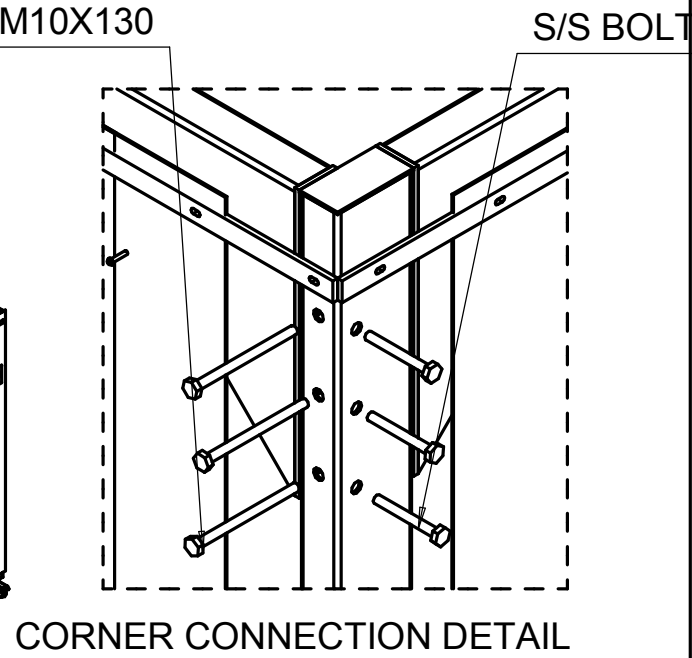
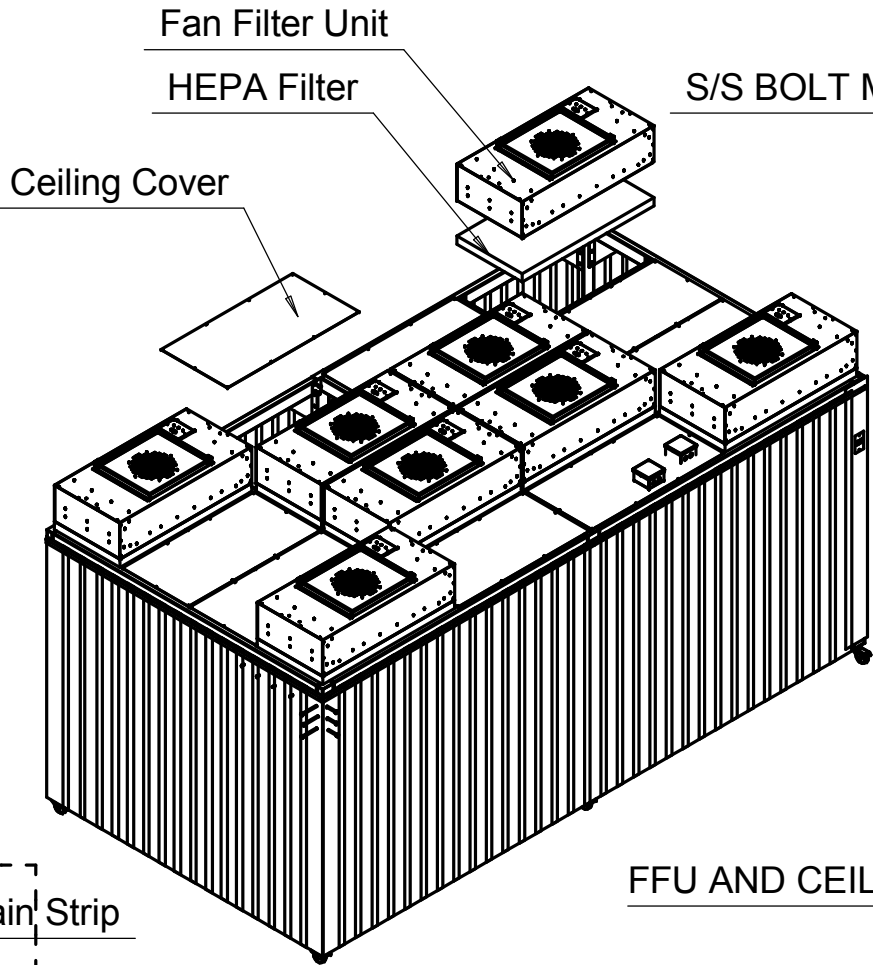
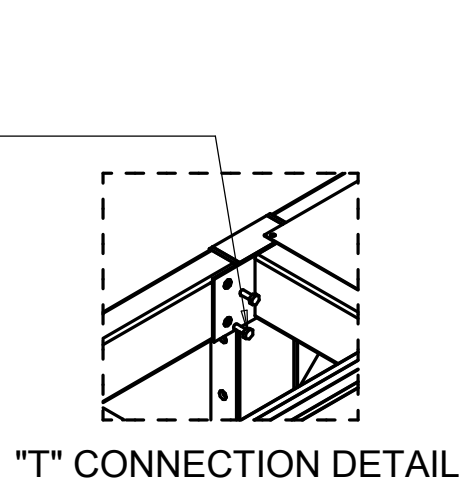
Customer Signature of Approval:

Part	Drawing number item reference	Part or assembly group name	Standard	Shape, Dimension Designation	Quality	Qty
NOTE			THIRD ANGLE VIEW	DIMENSION : mm	SCALE 1:25	DATE 2007-11-23
General Tolerances :			STL/SC-0167-03.5			
			Dimension 0' x 16' x 7' (Height)			
			SC0167_FAc			
APPROVAL		CHECKED BY	DESIGNED BY		DRAWN BY	
			2007-11-23		ling	
Project: STL/SC-0167-03.5			Product: Soft Capsule (TM) Soft Wall Cleanroom			ISO Class 5



PAPER SIZE  
A3





FFU AND CEILING CONNECTION DETAIL

"PLEASE READ DISCLAIMER SIGNATURE OF APPROVAL"

Esco requires a signature of approval before we can proceed with design and fabrication. Carefully review the submittal package (project specifications and drawings) and sign below. Contact Esco immediately if there are any questions or concerns about submittal package. Any revisions after receipt of the initial submittal package may result in a pricing change. Any revisions after the final approval will result in an additional charge.

Customer Signature of Approval:

Part	Drawing number item reference	Part or assembly group name	Standard	Shape, Dimension Designation	Quality	Qty
NOTE			THIRD ANGLE VIEW	DIMENSION : mm	SCALE 1:25	DATE 2007-11-23
General Tolerances :			STL/SC-0167-4B.5			
			Dimension 0' x 16' x 7' (Height)			
			SC0167_FAE			
APPROVAL	CHECKED BY	DESIGNED BY	DRAWN BY			
		2007-11-23	ling			
Project: STL/SC-0167-4B.5			Product: Soft Capsule (TM) Soft Hall Classroom			ISO Class 5



PAPER SIZE  
A3

