

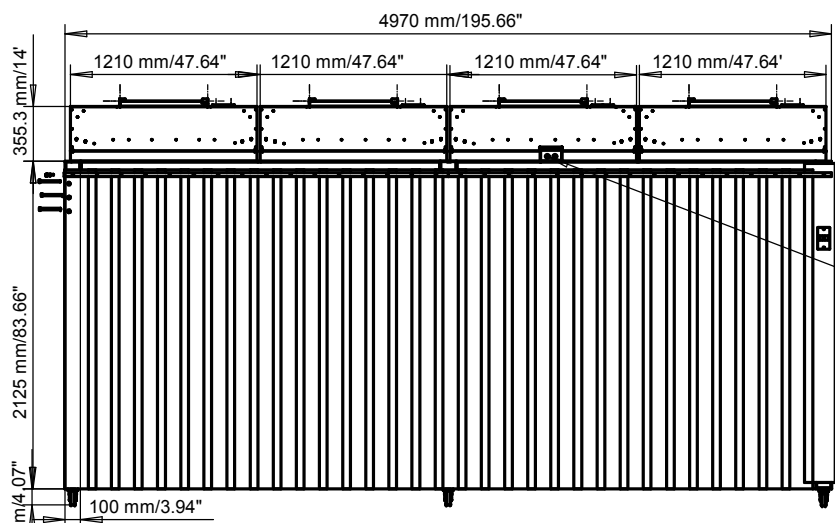
ISOMETRIC VIEW

"PLEASE READ DISCLAIMER SIGNATURE OF APPROVAL"

Esco requires a signature of approval before we can proceed with design and fabrication. Carefully review the submittal package (project specifications and drawings) and sign below. Contact Esco immediately if there are any typos or concerns about submittal package. Any revisions after receipt of the initial submittal package may result in a pricing change. Any revisions after the final approval will result in an additional charge.

Customer Signature of Approval: _____

Part	Drawing number item reference	Part or assembly group name	Standard	Shape, Dimension Designation	Quality	Qty
NOTE			THIRD ANGLE VIEW	DIMENSION : mm	SCALE 1:25	DATE 2007-11-23
General Tolerances :			STL/SC-0167-M.5			
"These drawings and specifications are the exclusive property of Esco. Issued in strict confidence and shall not, without the prior written permission of Esco, be reproduced"			Dimension 0' x 16' x 7 (Height)			
			SC016_M45c			
APPROVAL	CHECKED BY	DESIGNED BY	DRAWN BY			
		2007-11-23	ling			
PAPER SIZE A3			 WORLD CLASS. WORLDWIDE.		Project: STL/SC-0167M.5	
Product: Soft Capsule (TM) Soft Hall Cleanroom			ISO Class 6			

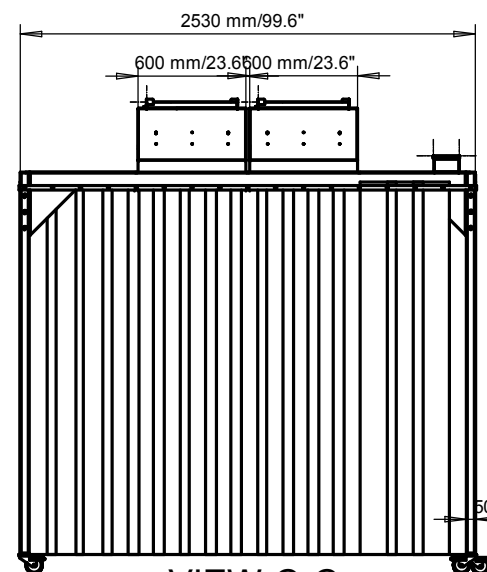


VIEW A-A

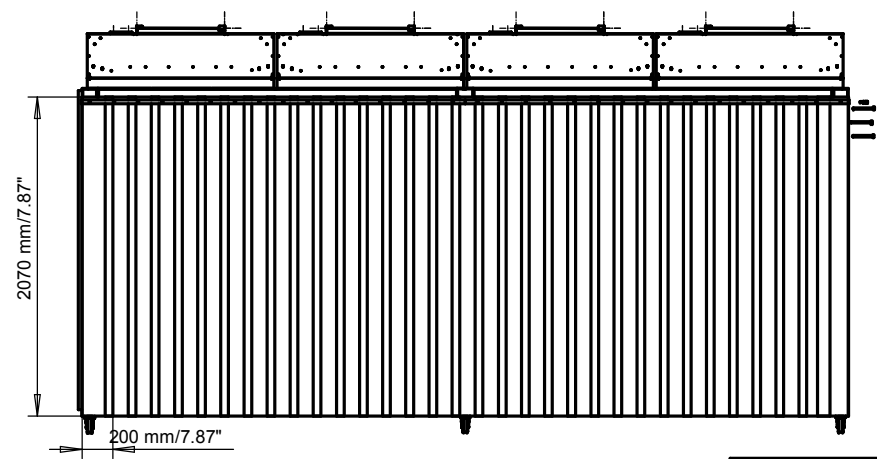
Control Box

ELEVATION VIEW

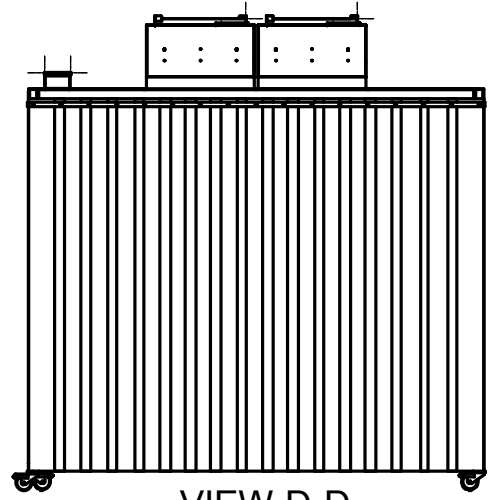
NOTES :
Curtain Holder :2070mm/81.5"x200mm/7.87"



VIEW C-C



VIEW B-B



VIEW D-D

"PLEASE READ DISCLAIMER SIGNATURE OF APPROVAL"

Esco requires a signature of approval before we can proceed with design and fabrication. Carefully review the submittal package (project specifications and drawings) and sign below. Contact Esco immediately if there are any to or concerns about submittal package. Any revisions after receipt of the initial submittal package may result in a pricing change. Any revisions after the final approval will result in an additional charge.

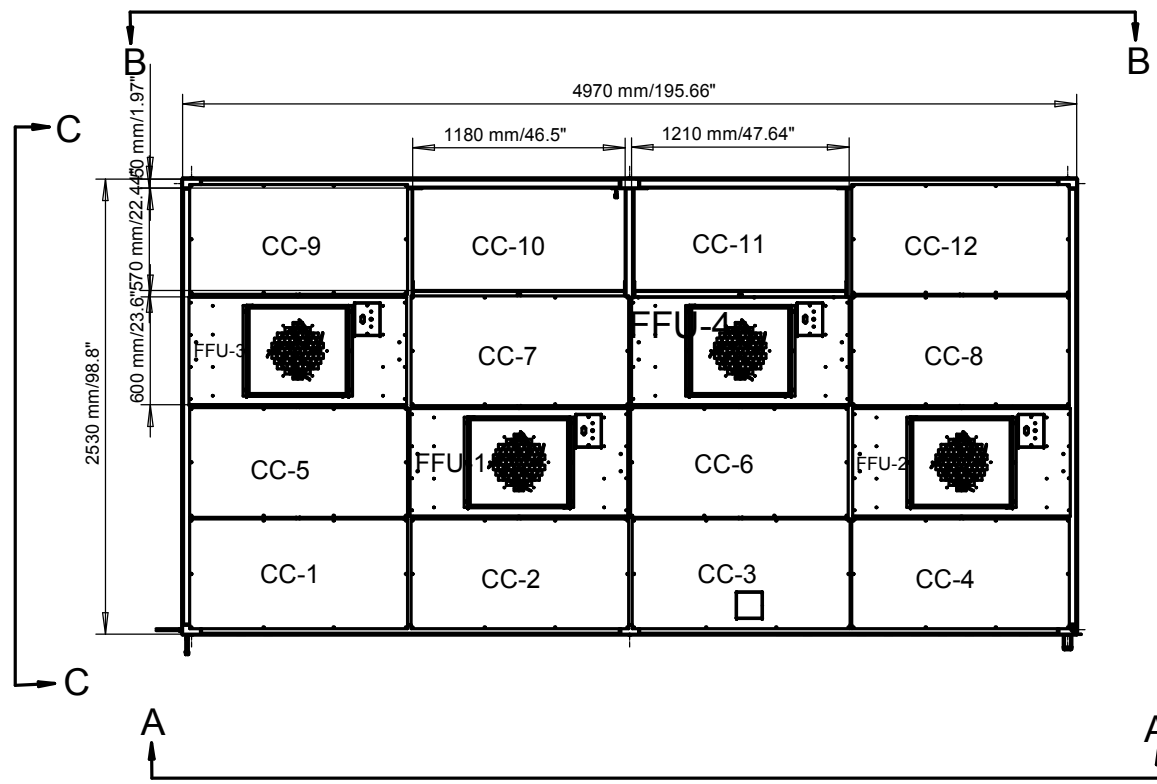
Customer Signature of Approval:

Part	Drawing number item reference	Part or assembly group name	Standard	Shape, Dimension Designation	Quality	Qty
NOTE			THIRD ANGLE VIEW	DIMENSION : mm	SCALE 1:25	DATE 2007-11-23
General Tolerances :			STL/SC-0167-M.5			
			Dimension 0" x16" x7' (height)			
			SC016_M.5F			
APPROVAL		CHECKED BY	DESIGNED BY		DRAWN BY	
			2007-11-23		ling	
Project: STL/SC-0167-M.5			Product: Self Capsule (TM) Self Mail Classroom			ISO Class 6



PAPER SIZE
A3





PLAN VIEW

NOTES :

ISO Class 7* - Class 10000

(4) FFU 2'x4' AND HEPA 2'x4'

1. (FFU-1) fan Filter Unit - 2'x4' and HEPA 2'x4'
2. (FFU-2) fan Filter Unit - 2'x4' and HEPA 2'x4'
3. (FFU-3) fan Filter Unit - 2'x4' and HEPA 2'x4'
4. (FFU-4) fan Filter Unit - 2'x4' and HEPA 2'x4'

(12) CEILING COVER

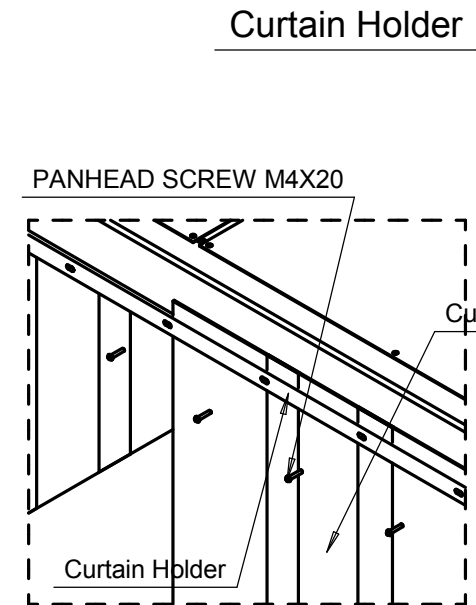
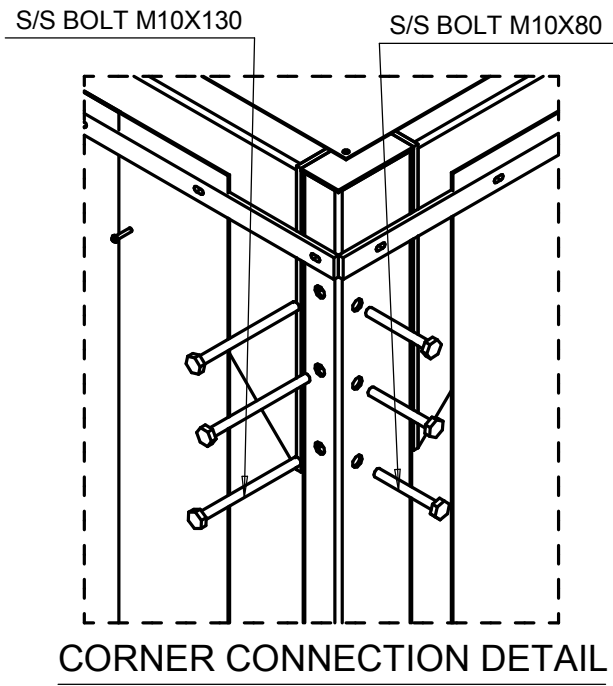
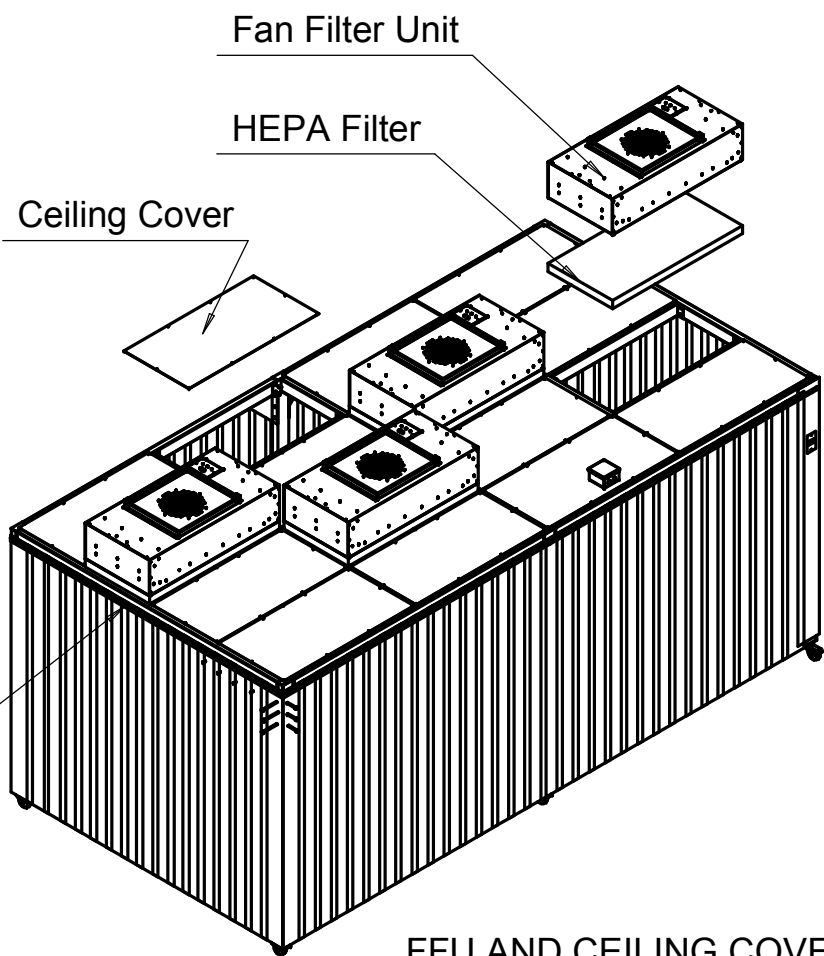
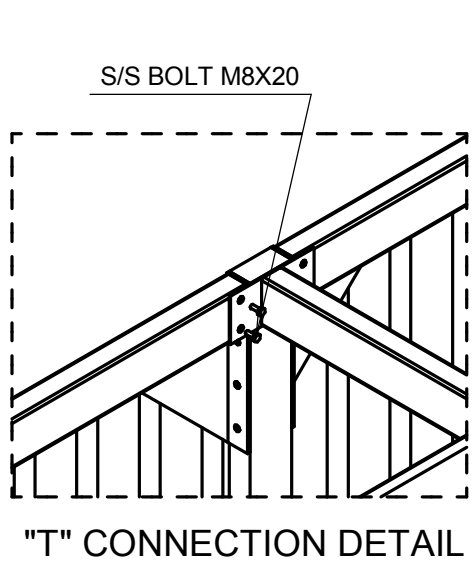
1. (CC-1) Ceiling Cover - 2'x4'
2. (CC-2) Ceiling Cover - 2'x4'
3. (CC-3) Ceiling Cover - 2'x4'
4. (CC-4) Ceiling Cover - 2'x4'
5. (CC-5) Ceiling Cover - 2'x4'
6. (CC-6) Ceiling Cover - 2'x4'
7. (CC-7) Ceiling Cover - 2'x4'
8. (CC-8) Ceiling Cover - 2'x4'
9. (CC-9) Ceiling Cover - 2'x4'
10. (CC-10) Ceiling Cover - 2'x4'
11. (CC-11) Ceiling Cover - 2'x4'
12. (CC-12) Ceiling Cover - 2'x4'

"PLEASE READ DISCLAIMER SIGNATURE OF APPROVAL"

Esco requires a signature of approval before we can proceed with design and fabrication. Carefully review the submittal package (project specifications and drawings) and sign below. Contact Esco immediately if there are any questions or concerns about submittal package. Any revisions after receipt of the initial submittal package may result in a pricing change. Any revisions after the final approval will result in an additional charge.

Customer Signature of Approval:

Part	Drawing number item reference	Part or assembly group name	Standard	Shape, Dimension Designation	Quality	Qty
NOTE			THIRD ANGLE VIEW	DIMENSION : mm	SCALE 1:25	DATE 2007-11-23
General Tolerances :			STL/SC-0167-M.5			
			Dimension 0" x 16' x 7' (Height)			
			SC016_M.5e			
APPROVAL		CHECKED BY	DESIGNED BY	DRAWN BY		
			2007-11-23	ling		
PAPER SIZE A3		 WORLD CLASS, WORLDWIDE.		Project: STL/SC-0167-M.5		
				Product: Soft Capsule (TM) Soft Hall Cleanroom		ISO Class 6



FFU AND CEILING COVER CONNECTIO DETAIL

"PLEASE READ DISCLAIMER SIGNATURE OF APPROVAL"

Esco requires a signature of approval before we can proceed with design and fabrication. Carefully review the submittal package (project specifications and drawings) and sign below. Contact Esco immediately if there are any to or concerns about submittal package. Any revisions after receipt of the initial submittal package may result in a pricing change. Any revisions after the final approval will result in an additional charge.

Customer Signature of Approval:

Part	Drawing number item reference	Part or assembly group name	Standard	Shape, Dimension Designation	Quality	Qty
NOTE			THIRD ANGLE VIEW			
General Tolerances :			DIMENSION : mm			
			SCALE	1/5	DATE	2007-11-23
			STL/SC-0167-W.5			
			Dimension 8' x 16' x 7' (Height)			
			SC016_M45g			
APPROVAL	CHECKED BY	DESIGNED BY	DRAWN BY			
		ling				
Project: STL/SC-0167-W.5			Product: Self Contain (TM) Self Wall Cleanroom			ISO Class 6

