

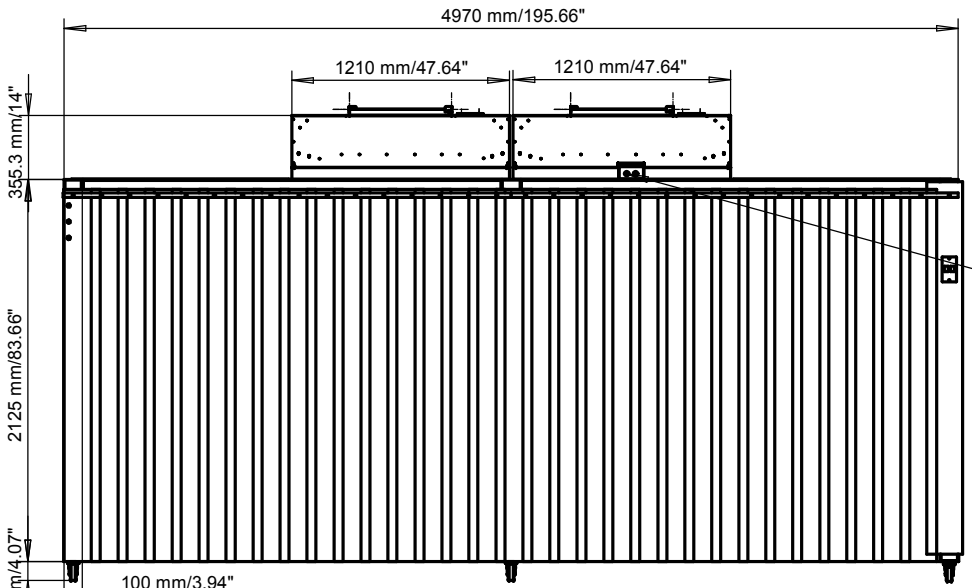
ISOMETRIC VIEW

"PLEASE READ DISCLAIMER SIGNATURE OF APPROVAL"

Esco requires a signature of approval before we can proceed with design and fabrication. Carefully review the submittal package (project specifications and drawings) and sign below. Contact Esco immediately if there are any typos or concerns about submittal package. Any revisions after receipt of the initial submittal package may result in a pricing change. Any revisions after the final approval will result in an additional charge.

Customer Signature of Approval:

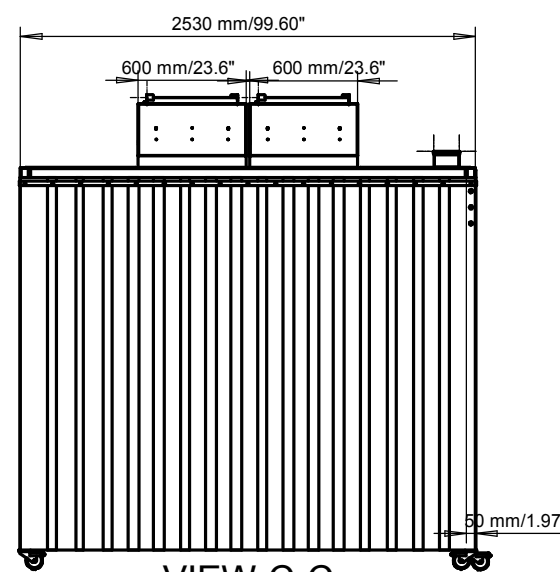
Part	Drawing number item reference	Part or assembly group name	Standard	Shape, Dimension Designation	Quality	Qty
NOTE			THIRD ANGLE VIEW	DIMENSION : mm	SCALE 1:25	DATE 2007-11-23
General Tolerances :			STL/SC-0167-MS.5			
			Dimension 0' x 16' x 7' (Height)			
			SC0167_55f			
APPROVAL		CHECKED BY	DESIGNED BY	DRAWN BY		
			2007-11-23	ling		
PAPER SIZE A3					Project: STL/SC-0167-MS.5	
				Product: Soft Capsule (TM) Soft Wall Cleanroom		ISO Class 7



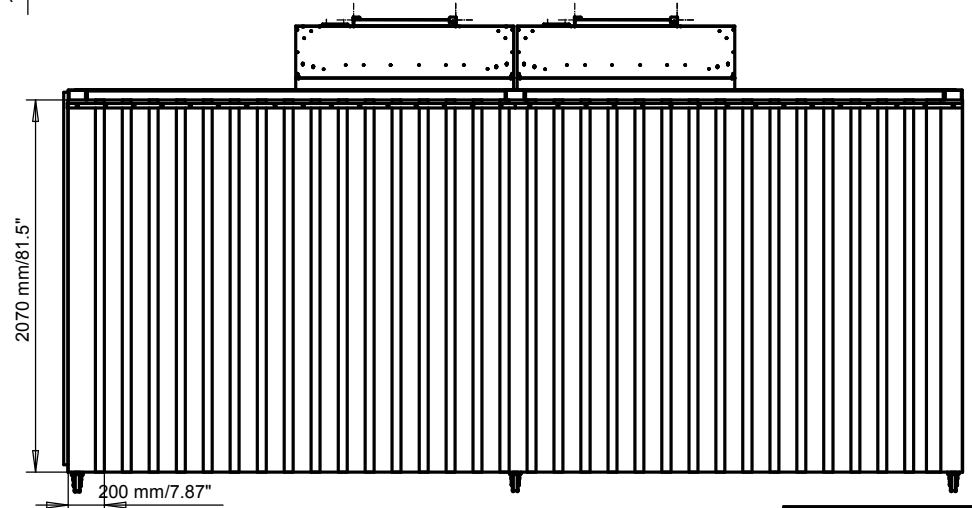
VIEW A-A

Control Box

ELEVATION VIEW



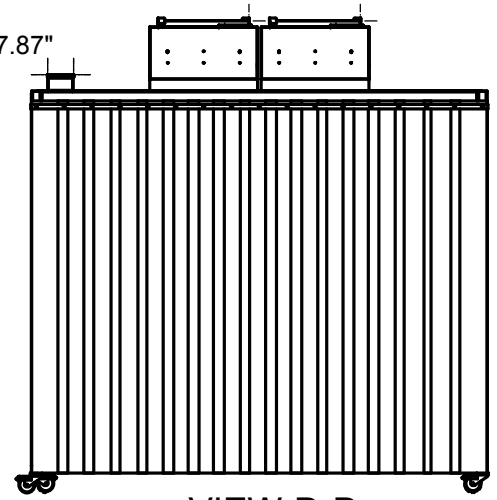
VIEW C-C



VIEW B-B

NOTES :

Curtain Dimension : 2070mm/81.5"x200mm/7.87"



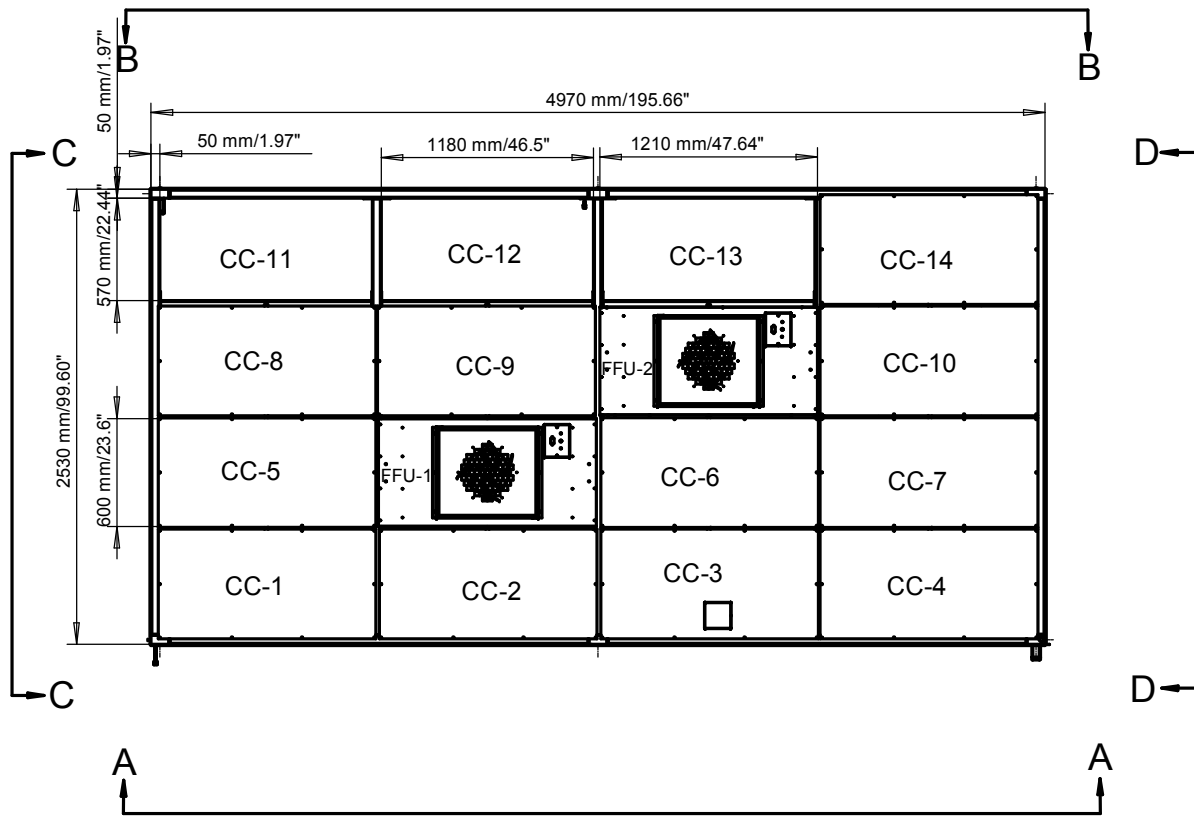
VIEW D-D

"PLEASE READ DISCLAIMER SIGNATURE OF APPROVAL"

Esco requires a signature of approval before we can proceed with design and fabrication. Carefully review the submittal package (project specifications and drawings) and sign below. Contact Esco immediately if there are any typos or concerns about submittal package. Any revisions after receipt of the initial submittal package may result in a pricing change. Any revisions after the final approval will result in an additional charge.

Customer Signature of Approval:

Part	Drawing number item reference	Part or assembly group name	Standard	Shape, Dimension Designation	Quality	Qty
NOTE			THIRD ANGLE VIEW	DIMENSION : mm	SCALE 1:25	DATE 2007-11-23
General Tolerances :			STL/SC-0167-MS.5			
"These drawings and specifications are the exclusive property of Esco. Issued in strict confidence and shall not, without the prior written permission of Esco, be reproduced"			Dimension 0' x 16' x 7' (Height)			
			SC0167_55c			
APPROVAL	CHECKED BY	DESIGNED BY	DRAWN BY			
			2007-11-23			
			ling			
Project: STL/SC-0167-MS.5			Product: Self Capable (TM) Self Mail Classroom			ISO Class 7



PLANVIEW

**NOTES :**  
**ISO Class 7\* - Class 10000**

(2) FFU 2'x4' AND HEPA 2'x4'

1. (FFU-1) Fan Filter Unit - 2'x4' and HEPA 2'x4'
2. (FFU-2) Fan Filter Unit - 2'x4' and HEPA 2'x4'

(14) CEILING COVER

1. (CC-1) Ceiling Cover - 2'x4'
2. (CC-2) Ceiling Cover - 2'x4'
3. (CC-3) Ceiling Cover - 2'x4'
4. (CC-4) Ceiling Cover - 2'x4'
5. (CC-5) Ceiling Cover - 2'x4'
6. (CC-6) Ceiling Cover - 2'x4'
7. (CC-7) Ceiling Cover - 2'x4'
8. (CC-8) Ceiling Cover - 2'x4'
9. (CC-9) Ceiling Cover - 2'x4'
10. (CC-10) Ceiling Cover - 2'x4'
11. (CC-11) Ceiling Cover - 2'x4'
12. (CC-12) Ceiling Cover - 2'x4'
13. (CC-13) Ceiling Cover - 2'x4'
14. (CC-14) Ceiling Cover - 2'x4'

**"PLEASE READ DISCLAIMER SIGNATURE OF APPROVAL"**

Esco requires a signature of approval before we can proceed with design and fabrication. Carefully review the submittal package (project specifications and drawings) and sign below. Contact Esco immediately if there are any to or concerns about submittal package. Any revisions after receipt of the initial submittal package may result in a pricing change. Any revisions after the final approval will result in an additional charge.

Customer Signature of Approval:

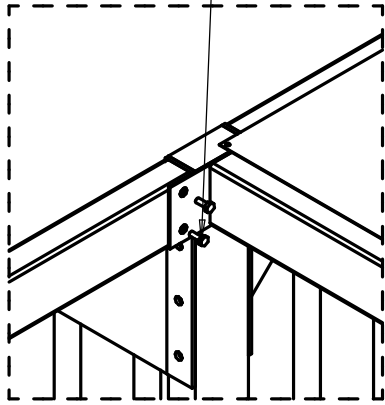
Part	Drawing number item reference	Part or assembly group name	Standard	Shape, Dimension Designation	Quality	Qty
NOTE			THIRD ANGLE VIEW	DIMENSION : mm	SCALE 1:25	DATE 2007-11-23
General Tolerances :			STL/SC-0167-MS.5			
			Dimension 0' x 16' x 7' (Height)			
			SC0167_55d			
APPROVAL	CHECKED BY	DESIGNED BY	DRAWN BY			
		2007-11-23	ling			
Project: STL/SC-0167-MS.5			Product: Soft Capsule (TM) Soft Wall Cleanroom			ISO Class 7



PAPER SIZE  
A3



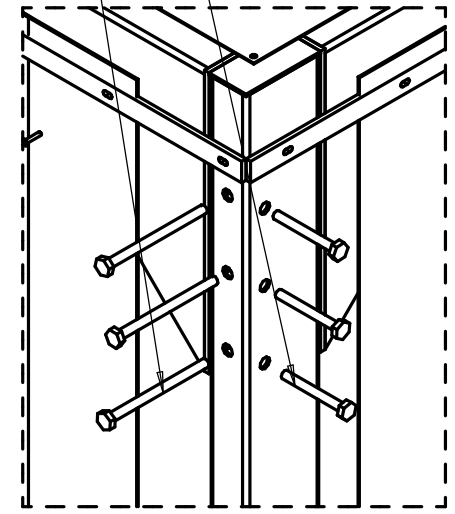
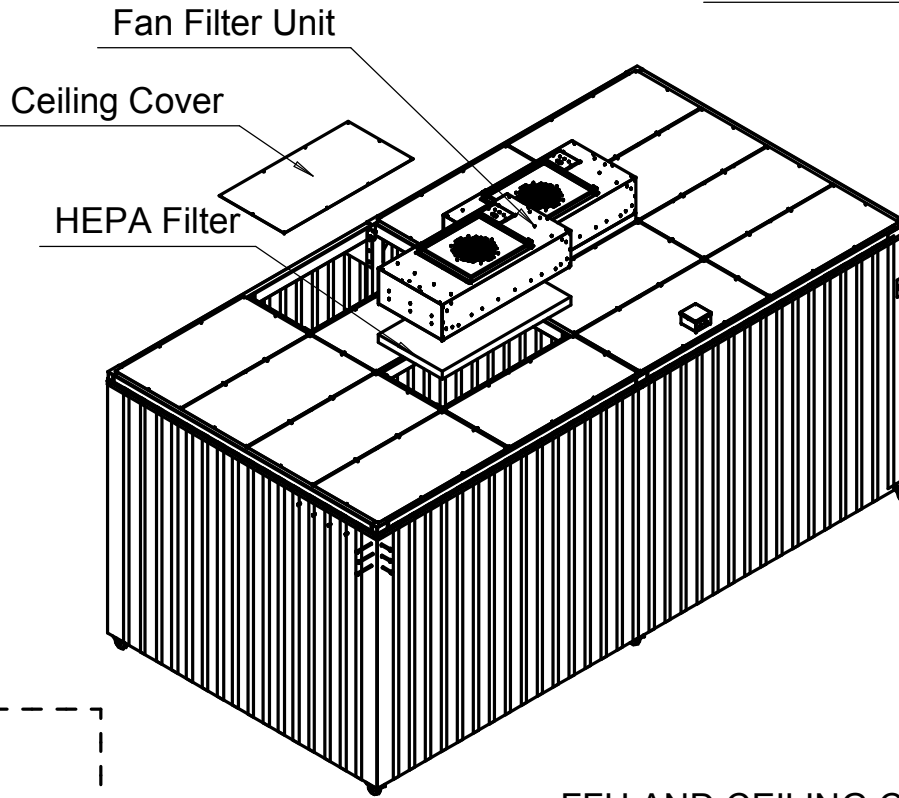
S/S BOLT M8X20



"T" CONNECTION DETAIL

S/S BOLT M10X130

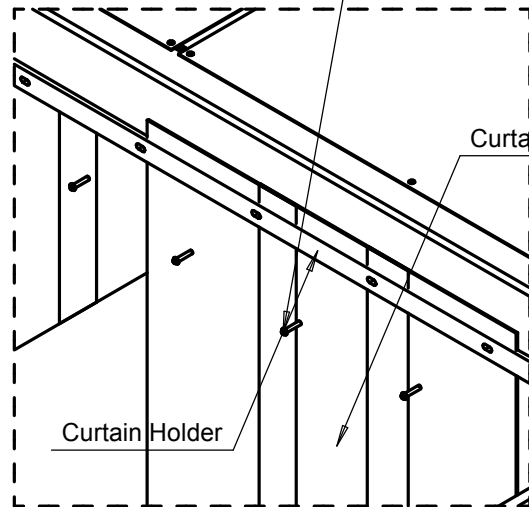
S/S BOLT M10X80



CORNER CONNECTION DETAIL

FFU AND CEILING COVER CONNECTION DETAIL

PANHEAD SCREW M4X20



Curtain Strip

Curtain Holder

CURTAIN HOLDER CONNECTION DETAIL

"PLEASE READ DISCLAIMER SIGNATURE OF APPROVAL"

Esco requires a signature of approval before we can proceed with design and fabrication. Carefully review the submittal package (project specifications and drawings) and sign below. Contact Esco immediately if there are any to or concerns about submittal package. Any revisions after receipt of the initial submittal package may result in a pricing change. Any revisions after the final approval will result in an additional charge.

Customer Signature of Approval: \_\_\_\_\_

Part	Drawing number	Item reference	Part or assembly group name	Standard	Shape, Dimension	Designation	Quality	Qty		
NOTE				THIRD ANGLE VIEW	DIMENSION	mm	SCALE	1:25	DATE	2007-11-23
General Tolerances :				<b>STL/SC-0167-06.5</b>						
				<b>Dimension 0' x 16' x 7' (Height)</b>						
				<b>SC0167_55e</b>						
APPROVAL		CHECKED BY		DESIGNED BY		DRAWN BY				
				2007-11-23		ling				
Project: STL/SC-0167-06.5				Product: Soft Capsule (TM) Soft wall Clearroom				ISO Class 7		



PAPER SIZE  
A3

