

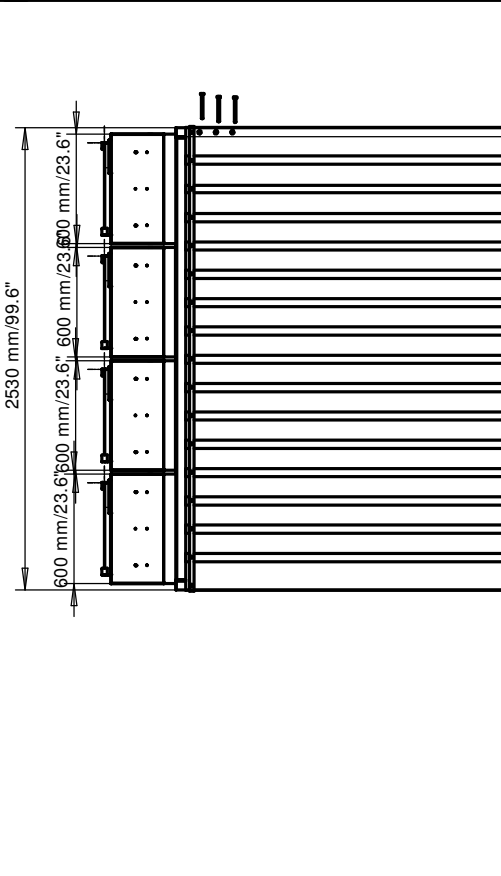
ISOMETRIC VIEW

"PLEASE READ DISCLAIMER SIGNATURE OF APPROVAL"  
 Esco requires a signature of approval before we can proceed with design and fabrication. Carefully review the submittal package (project specifications and drawings) and sign below. Contact Esco immediately if there are any to or concerns about submittal package. Any revisions after receipt of the initial submittal package may result in a pricing change. Any revisions after the final approval will result in an additional charge.  
 Customer Signature of Approval:

Part	Drawing number, item reference	Part or assembly group name	Standard	Shape, Dimension Designation	Quantity
THIRD ANGLE VIEW	DIMENSION ± mm	SCALE	1:15	DATE	2007-09-20
NOTE					
General Tolerances :					
ST/SC-2007-AB.5					
Dimension 0' x 20' x 7' (Height)					
SC0207_FAC					
APPROVAL	CHECKED BY	DESIGNED BY	DRAWN BY		
		2007-09-20	ling		
"These drawings and specifications are the exclusive property of Esco, Inc. and shall remain the property of Esco, Inc. without the prior written permission of Esco, Inc. or its representative."					
PAPER SIZE		A3		ESCO WORLDWIDE	
Project: ST/SC-2007-AB.5		Product: Shift Control (TM Shift Wall Closure)		50 Class 5	

Rev	Date	By	Act

Part	Drawing number / Item reference	Part or assembly group name	Standard	Shape, Dimension Designation	Quality	By
			THIRD ANGLE VIEW	DIMENSION : mm	SCALE : 1:1	DATE : 2007-09-20
<p><b>NOTE</b></p> <p>General Tolerances :</p> <p>ST/SL-007-03.5</p> <p>Dimension 0' x 20' x 7' (Height)</p> <p>SC0207_FAe</p> <p>APPROVAL</p> <p>CHECKED BY</p> <p>DESIGNED BY</p> <p>2007-09-20</p> <p>ling</p> <p>DRAWN BY</p>						
<p>*These drawings and specifications are the exclusive property of Esco. No part of this drawing may be reproduced, stored in a retrieval system, or transmitted in any form or by any means, without the prior written permission of Esco, its subsidiaries or affiliates.</p>						
<p>PAPER SIZE</p> <p>A3</p>			<p>Product: 01-SC-007-03.5</p> <p>Product: 01-SC-007-03.5</p>			

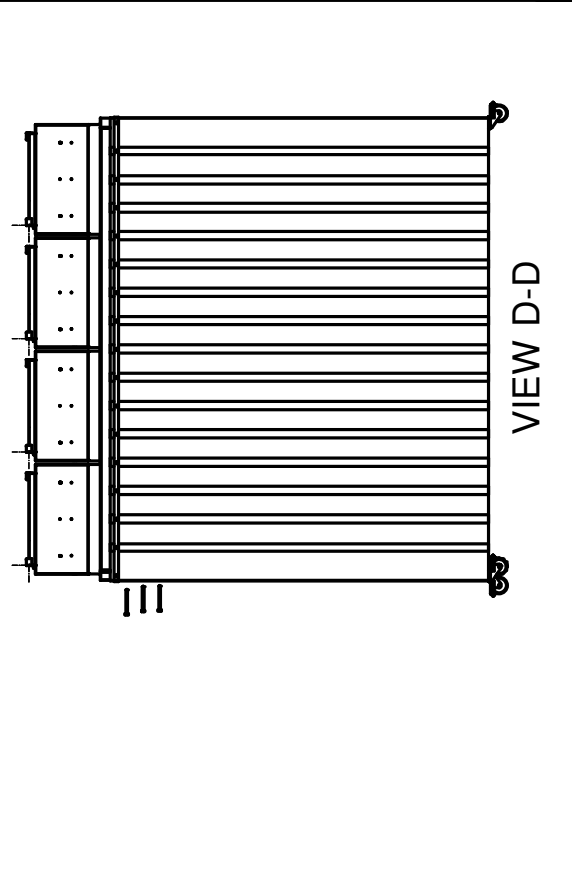


**ELEVATION VIEW**

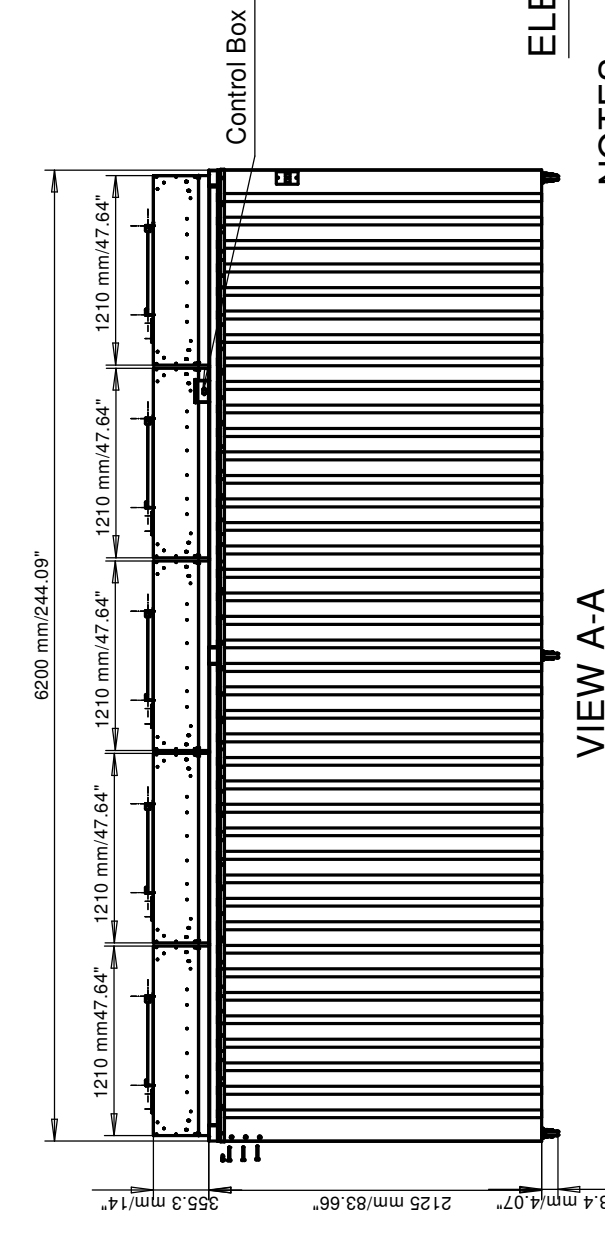
**VIEW C-C** 50 mm/1.97"

**NOTES :**

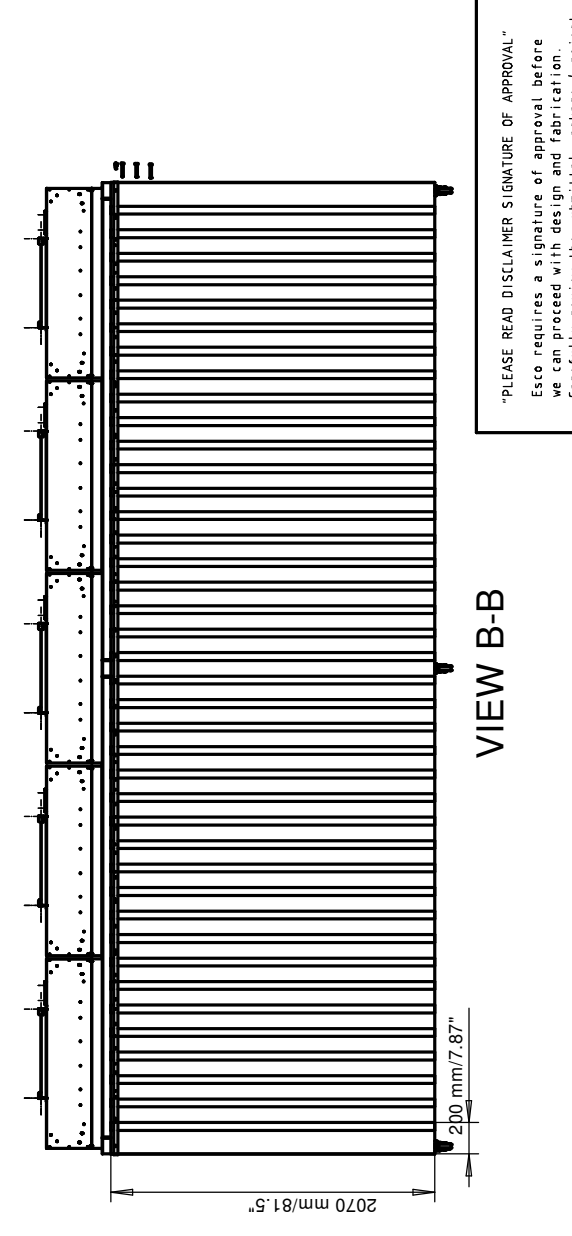
Curtain Dimension : 2070/81.5"x200mm/7.87"



**VIEW D-D**



**VIEW A-A**



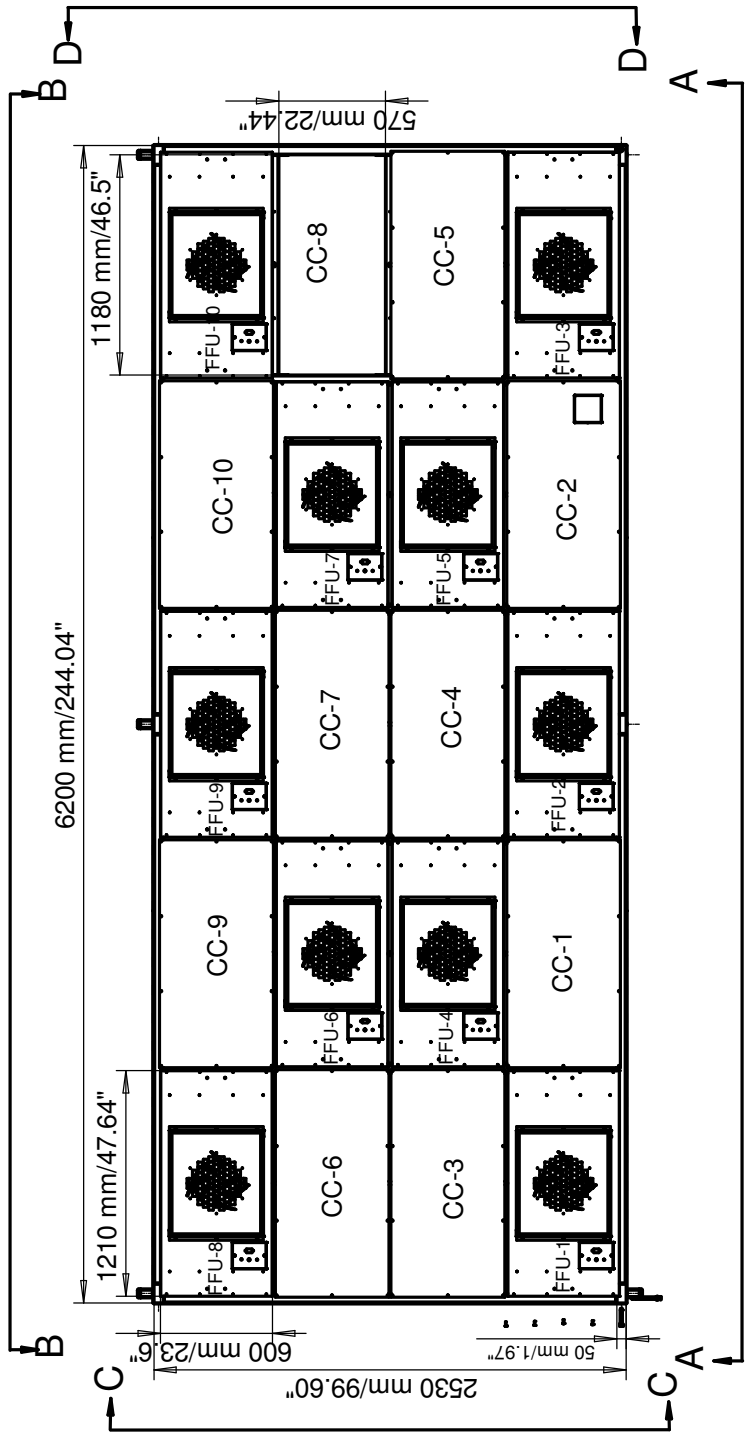
**VIEW B-B**

"PLEASE READ DISCLAIMER SIGNATURE OF APPROVAL"

Esco requires a signature of approval before we can proceed with design and fabrication. Carefully review the submittal package (project specifications and drawings) and sign below. Contact Esco immediately if there are any to or concerns about submittal package. Any revisions after receipt of the initial submittal package may result in a pricing change. Any revisions after the final approval will result in an additional charge.

Customer Signature of Approval:





**PLAN VIEW**

**NOTES :**  
**ISO Class 5\* - Class 100**  
**(10) FFU 2'x4' AND HEPA 2'x4'**

**(10) CEILING COVER**

1. (FFU-1) Fan Filter Unit - 2'x4' and HEPA 2'x4'
2. (FFU-2) Fan Filter Unit - 2'x4' and HEPA 2'x4'
3. (FFU-3) Fan Filter Unit - 2'x4' and HEPA 2'x4'
4. (FFU-4) Fan Filter Unit - 2'x4' and HEPA 2'x4'
5. (FFU-5) Fan Filter Unit - 2'x4' and HEPA 2'x4'
6. (FFU-6) Fan Filter Unit - 2'x4' and HEPA 2'x4'
7. (FFU-7) Fan Filter Unit - 2'x4' and HEPA 2'x4'
8. (FFU-8) Fan Filter Unit - 2'x4' and HEPA 2'x4'
9. (FFU-9) Fan Filter Unit - 2'x4' and HEPA 2'x4'
10. (FFU-10) Fan Filter Unit - 2'x4' and HEPA 2'x4'

"PLEASE READ DISCLAIMER SIGNATURE OF APPROVAL"  
 Esco requires a signature of approval before we can proceed with design and fabrication. Carefully review the submittal package (project specifications and drawings) and sign below. Contact Esco immediately if there are any to or concerns about submittal package.  
 Any revisions after receipt of the initial submittal package may result in a pricing change. Any revisions after the final approval will result in an additional charge.  
 Customer Signature of Approval:

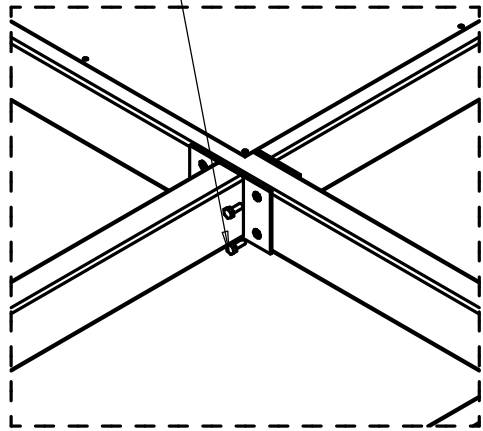
THIRD ANGLE VIEW		Standard	Shape, Dimension Designation	Quality	Date
Part	Drawing number	Item reference	SCALE	1:1	DATE
NOTE					
General Tolerances :					
"These drawings and specifications are the exclusive property of Esco. Issues in strict confidence and shall not, without the prior written permission of Esco, be reproduced."					
APPROVAL			CHECKED BY	DESIGNED BY	DRAWN BY
STL/SC-007-03.5			2007-09-20		
Dimension 0' x 20' x 7' (Height)			iling		
SC0207_FAM			Product: Split Openable (TM) Split Wall (Cover)		
Project: STL-SC-00703.5			SQ Class: 3		



PAPER SIZE  
A3



S/S BOLT M8X20

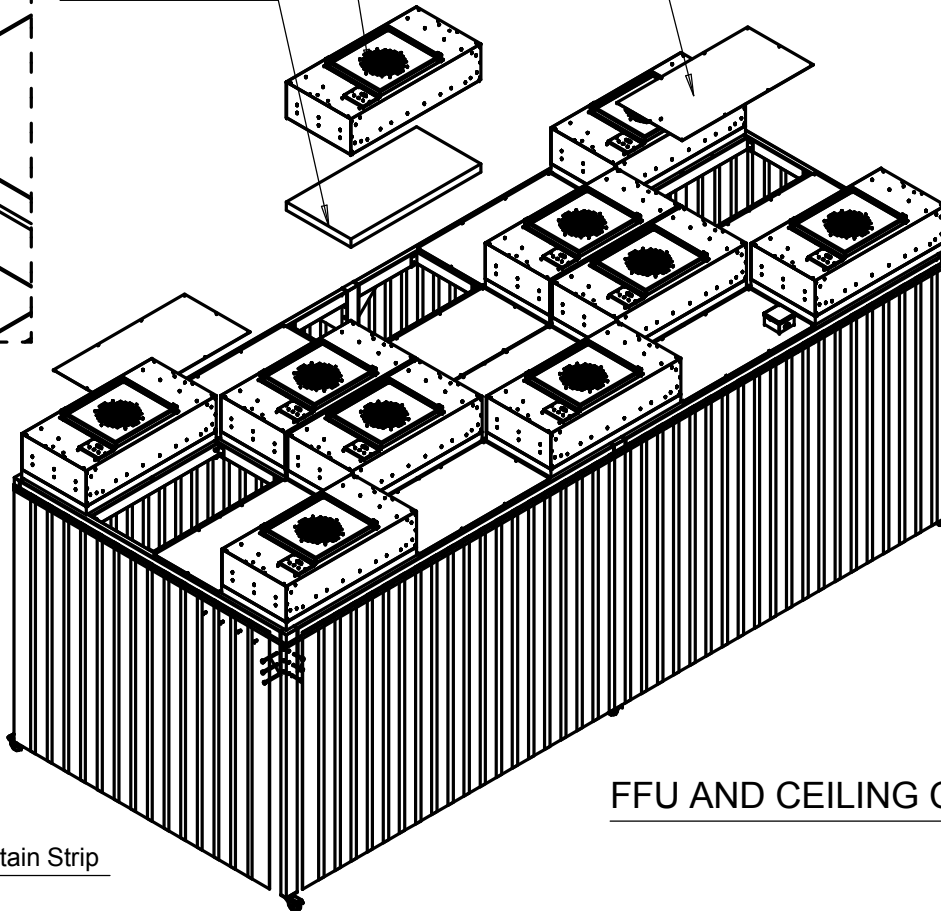


"T" CONNECTION DETAIL

Fan Filter Unit

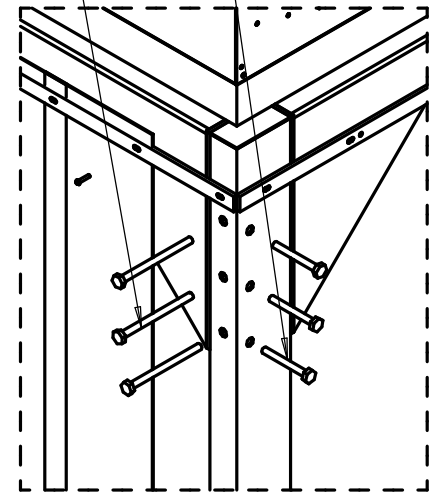
Ceiling Cover

HEPA Filter



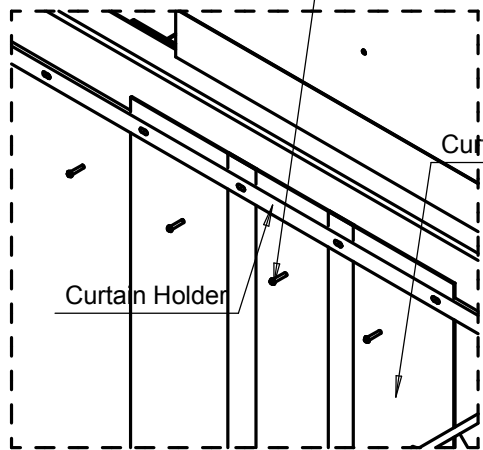
S/S BOLT M10X130

S/S BOLT M10X80



CORNER CONNECTION DETAIL

PANHEAD SCREW M4X20



Curtain Strip

Curtain Holder

CURTAIN HOLDER CONNECTION DETAIL

FFU AND CEILING COVER CONNECTION DETAIL

**"PLEASE READ DISCLAIMER SIGNATURE OF APPROVAL"**  
 Esco requires a signature of approval before we can proceed with design and fabrication. Carefully review the submittal package (project specifications and drawings) and sign below. Contact Esco immediately if there are any questions or concerns about submittal package. Any revisions after receipt of the initial submittal package may result in a pricing change. Any revisions after the final approval will result in an additional charge.  
 Customer Signature of Approval:

Part	Drawing number item reference	Part or assembly group name	Standard	Shape, Dimension Designation	Quality	Qty
NOTE			THIRD ANGLE VIEW	DIMENSION x mm	SCALE 1/25	DATE 2007-09-20
General Tolerances :			STL/SC-0207-H3.5			
			Dimension 0' x 20' x7' (Height)			
			SC0207_FAF			
APPROVAL	CHECKED BY	DESIGNED BY	DRAWN BY			
		2007-09-20	ling			
Project: STL/SC-0207-H3.5			Product: Self-Capable ITR Self-Maint. Cleanroom			ISO Class 5



PAPER SIZE  
A3

