

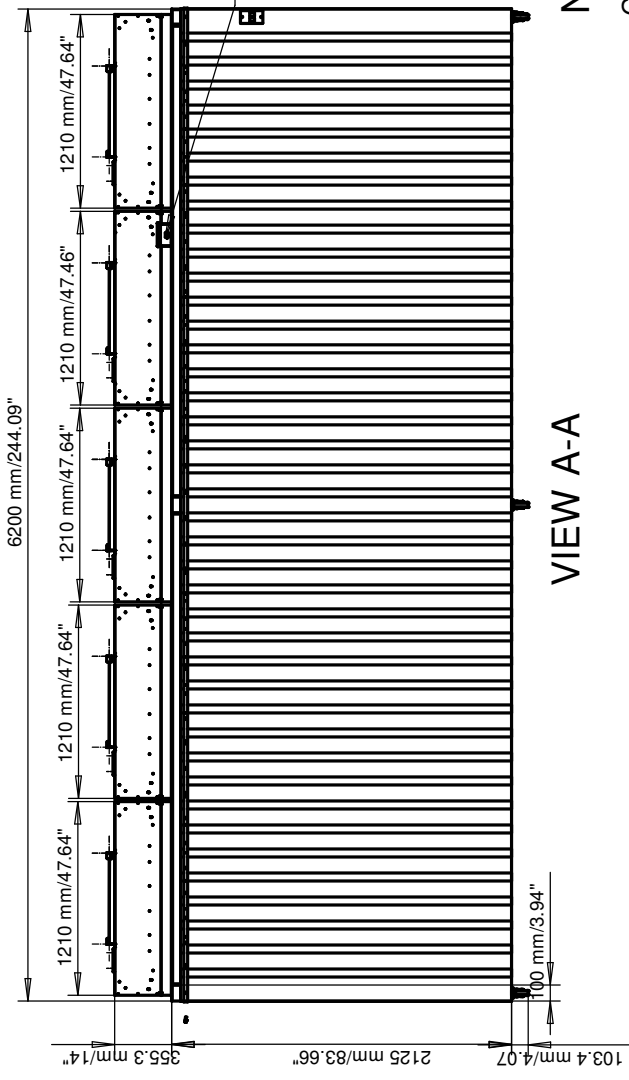
ISOMETRIC VIEW

"PLEASE READ DISCLAIMER SIGNATURE OF APPROVAL"

Esco requires a signature of approval before we can proceed with design and fabrication. Carefully review the submittal package (project specifications and drawings) and sign below. Contact Esco immediately if there are any to or concerns about submittal package. Any revisions after receipt of the initial submittal package may result in a pricing change. Any revisions after the final approval will result in an additional charge.

Customer Signature of Approval: _____

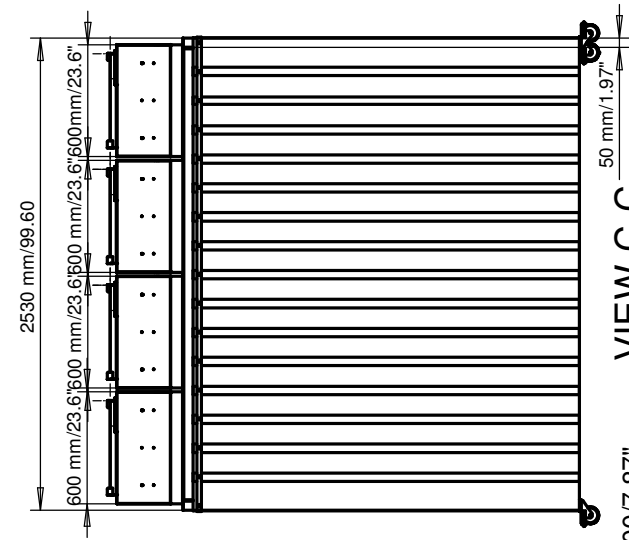
Part	Drawing number, item reference	Part or assembly group name	Standard	Shape, Dimension Designation	Quantity	Qty
			Dimension, mm	SCALE	1/8" = 1"	DATE
						2007-09-20
NOTE						
General Tolerances :						
STL/SC-4007-M.5						
Dimension 0" x 20" x 7" (Height)						
SC0207-45c						
APPROVAL			CHECKED BY	DESIGNED BY	DRAWN BY	
				2007-09-20	ling	
Project: STL/SC-4007-M.5			Product: Split Opened (TM) Split Wall Cleanroom			
PAPER SIZE			50 Check			
A3			ESCO			
WORLD CLASS WORKSPACE						



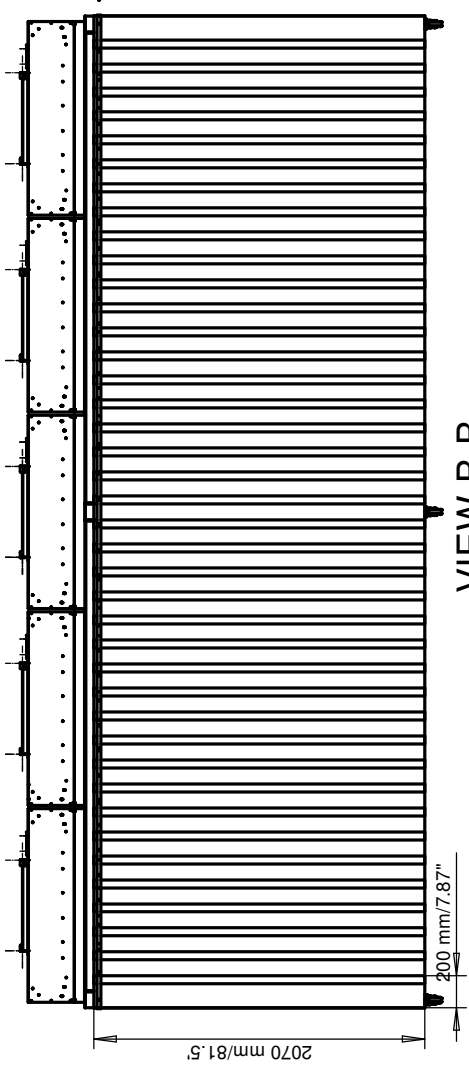
ELEVATION VIEW

NOTES :

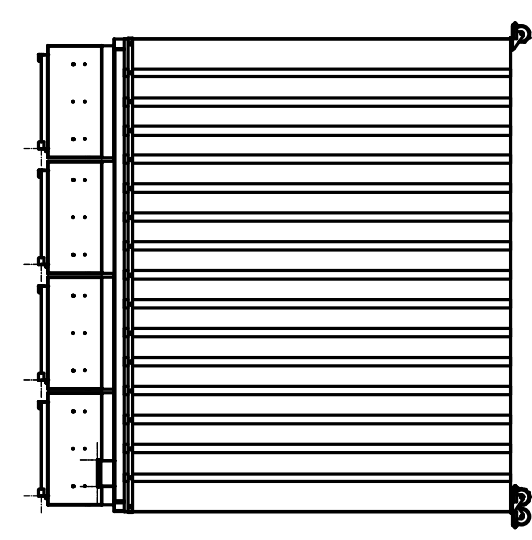
Curtain Dimension : 2070mm/81.5"x2007.87"



VIEW C-C



VIEW B-B



VIEW D-D

"PLEASE READ DISCLAIMER SIGNATURE OF APPROVAL"
 Esco requires a signature of approval before we can proceed with design and fabrication. Carefully review the submittal package (project specifications and drawings) and sign below. Contact Esco immediately if there are any to or concerns about submittal package. Any revisions after receipt of the initial submittal package may result in a pricing change. Any revisions after the final approval will result in an additional charge.
 Customer Signature of Approval:

Part	Drawing number	Item reference	Part or assembly group name	Standard	Shape	Dimension Designation	Quantity	Div
THIRD ANGLE VIEW	THIRD ANGLE VIEW	THIRD ANGLE VIEW	THIRD ANGLE VIEW	THIRD ANGLE VIEW	THIRD ANGLE VIEW	THIRD ANGLE VIEW	THIRD ANGLE VIEW	THIRD ANGLE VIEW
NOTE								
General Tolerances :								
"These drawings and specifications are the exclusive property of Esco. Issues in office conference and shall not, without the prior written permission of Esco, be reproduced."								
APPROVAL				CHECKED BY	DESIGNED BY	DATE		
STL/SC-007-M.5						2007-09-20		
Dimension 0' x 20' x 7' (Height)								
SC0207-45a								
DRAWN BY								
Project: STL/SC-007-M.5								
Product: Split Operate (TM) Split Wall (Covered)								
59								



PAPER SIZE
A3

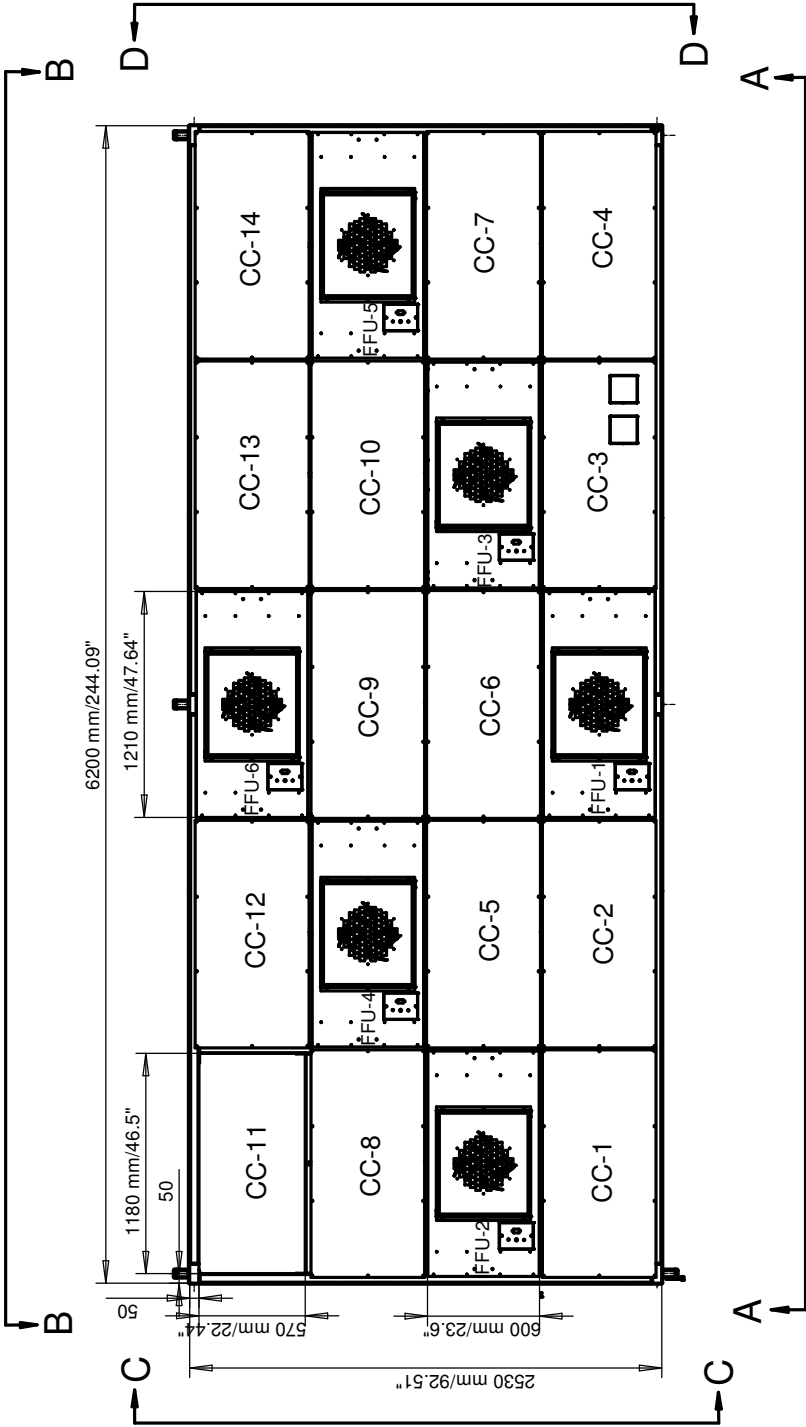
NOTES :
ISO Class 6* - Class 1000

(6) FFU 2'x4' AND HEPA 2'x4'

1. (FFU-1) fan Filter Unit - 2'x4' and HEPA 2'x4'
2. (FFU-2) fan Filter Unit - 2'x4' and HEPA 2'x4'
3. (FFU-3) fan Filter Unit - 2'x4' and HEPA 2'x4'
4. (FFU-4) fan Filter Unit - 2'x4' and HEPA 2'x4'
5. (FFU-5) fan Filter Unit - 2'x4' and HEPA 2'x4'
6. (FFU-6) fan Filter Unit - 2'x4' and HEPA 2'x4'

(14) CEILING COVER

1. (CC-1) Ceiling Cover - 2'x4'
2. (CC-2) Ceiling Cover - 2'x4'
3. (CC-3) Ceiling Cover - 2'x4'
4. (CC-4) Ceiling Cover - 2'x4'
5. (CC-5) Ceiling Cover - 2'x4'
6. (CC-6) Ceiling Cover - 2'x4'
7. (CC-7) Ceiling Cover - 2'x4'
8. (CC-8) Ceiling Cover - 2'x4'
9. (CC-9) Ceiling Cover - 2'x4'
10. (CC-10) Ceiling Cover - 2'x4'
11. (CC-11) Ceiling Cover - 2'x4'
12. (CC-12) Ceiling Cover - 2'x4'
13. (CC-13) Ceiling Cover - 2'x4'
14. (CC-14) Ceiling Cover - 2'x4'



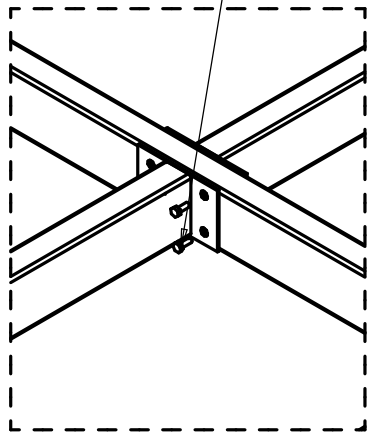
PLAN VIEW

"PLEASE READ DISCLAIMER SIGNATURE OF APPROVAL"
 Esco requires a signature of approval before we can proceed with design and fabrication. Carefully review the submittal package (project specifications and drawings) and sign below. Contact Esco immediately if there are any to or concerns about submittal package. Any revisions after receipt of the initial submittal package may result in a pricing change. Any revisions after the final approval will result in an additional charge.
 Customer Signature of Approval:

Part	Drawing number, item reference	Part or assembly group name	Standard	Shape, Dimension Designation	Quantity	Qty
	THIRD ANGLE VIEW	DIMENSION, mm	SCALE	1:15	DATE	2007-09-20
<p>NOTE General Tolerances :</p>						
<p>These drawings and specifications are the exclusive property of Esco. Issue in strict confidence and shall not, without the prior written permission of Esco, be reproduced.</p>						
<p>STL/SC-007-46.5 Dimension 0' x 20' x 7' (height) SC0207-45d</p>						
APPROVAL			CHECKED BY	DESIGNED BY	DRAWN BY	
				2007-09-20	ling	



S/S BOLT M8X20

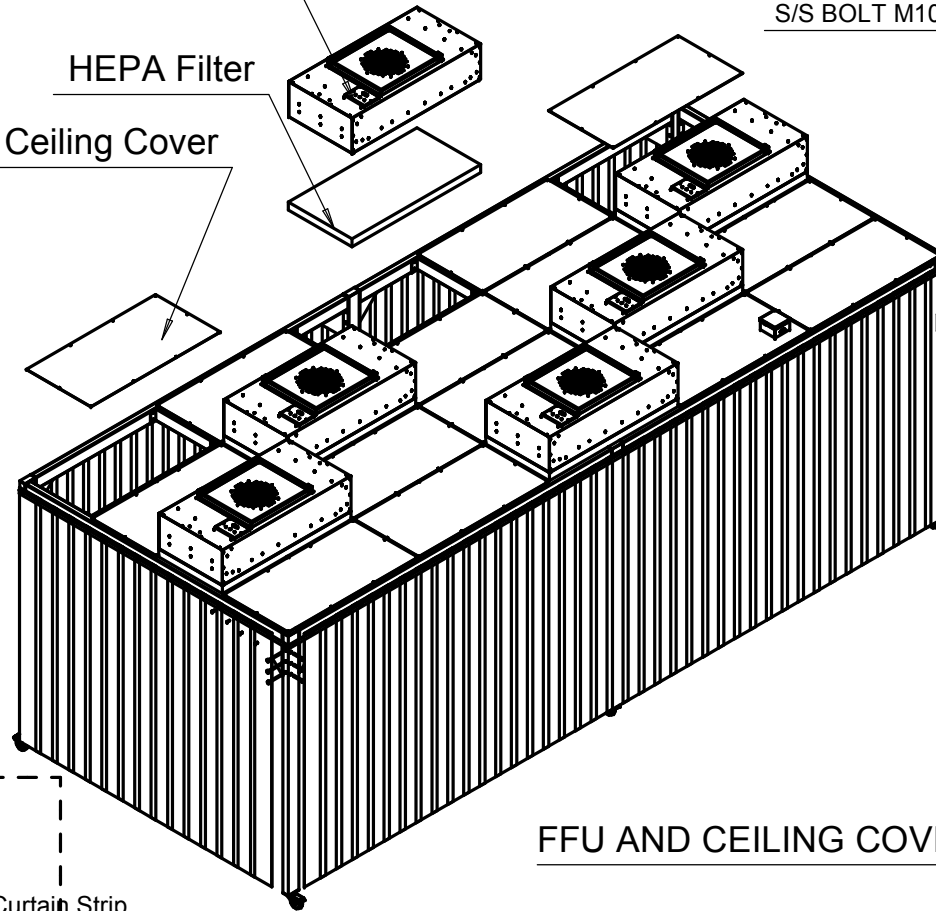


"T" CONNECTION DETAIL

Fan filter Unit

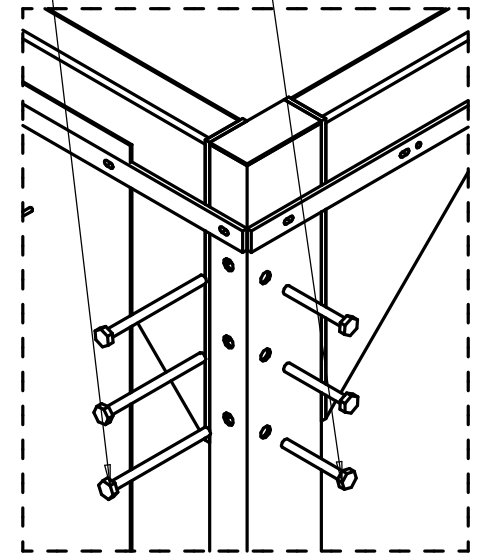
HEPA Filter

Ceiling Cover



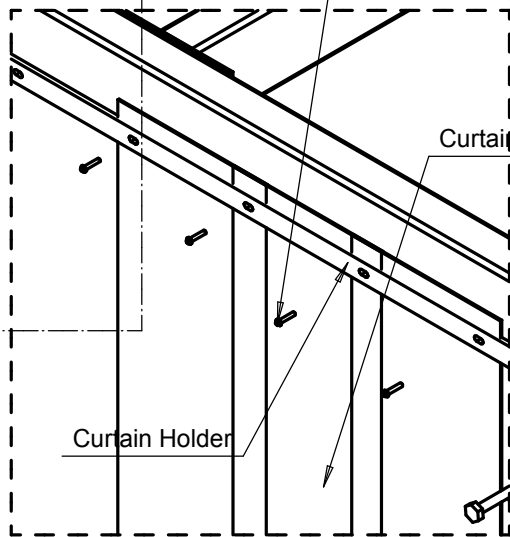
S/S BOLT M10X130

S/S BOLT M10X80



CORNER CONNECTION DETAIL

PANHEAD SCREW M4X20



Curtain Strip

Curtain Holder

CURTAIN HOLDER CONNECTION DETAIL

FFU AND CEILING COVER CONNECTION DETAIL

"PLEASE READ DISCLAIMER SIGNATURE OF APPROVAL"

Esco requires a signature of approval before we can proceed with design and fabrication. Carefully review the submittal package (project specifications and drawings) and sign below. Contact Esco immediately if there are any to or concerns about submittal package. Any revisions after receipt of the initial submittal package may result in a pricing change. Any revisions after the final approval will result in an additional charge.

Customer Signature of Approval:

Part	Drawing number / item reference	Part or assembly group name	Standard	Shape, Dimension Designation	Quality	Qty
NOTE			THIRD ANGLE VIEW	DIMENSION : mm	SCALE : 1:25	DATE : 2007-09-20
General Tolerances :			STL/SC-0207-M.5			
			Dimension 0' x 20' x 7' (Height)			
			SC0207-45f			
APPROVAL	CHECKED BY	DESIGNED BY	DRAWN BY			
		ling	2007-09-20			
Project: STL/SC-0207-M.5			Product: Self Support (TM) Self Mail Classroom			1SD Class 4



PAPER SIZE
A3

