

PLAN VIEW

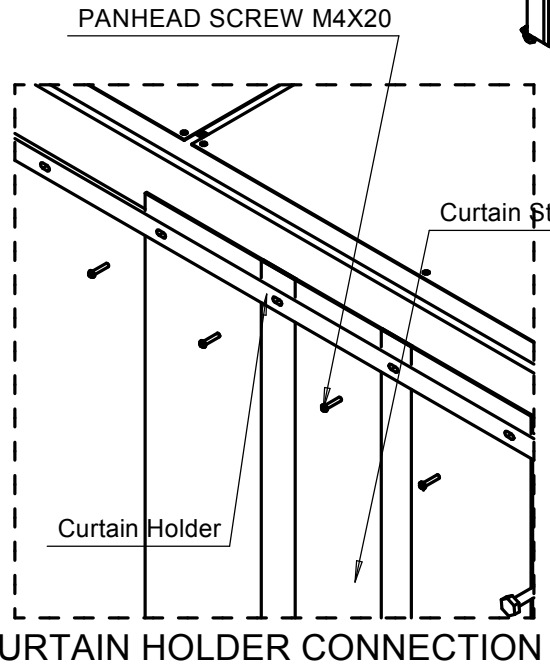
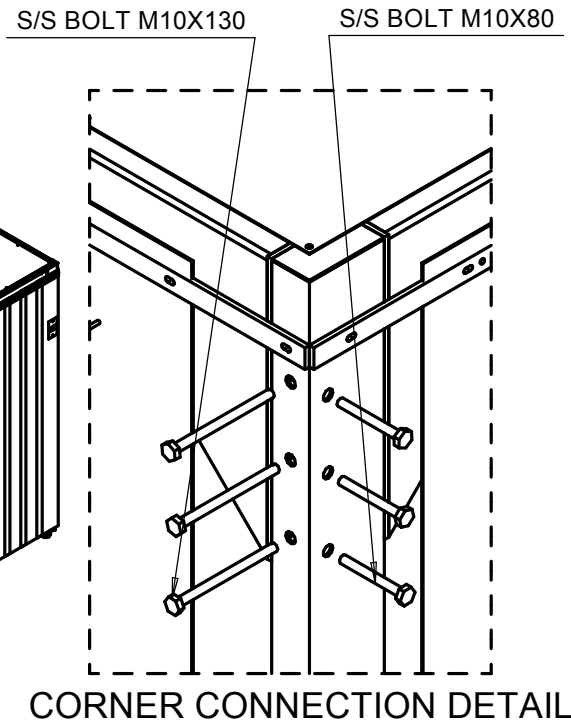
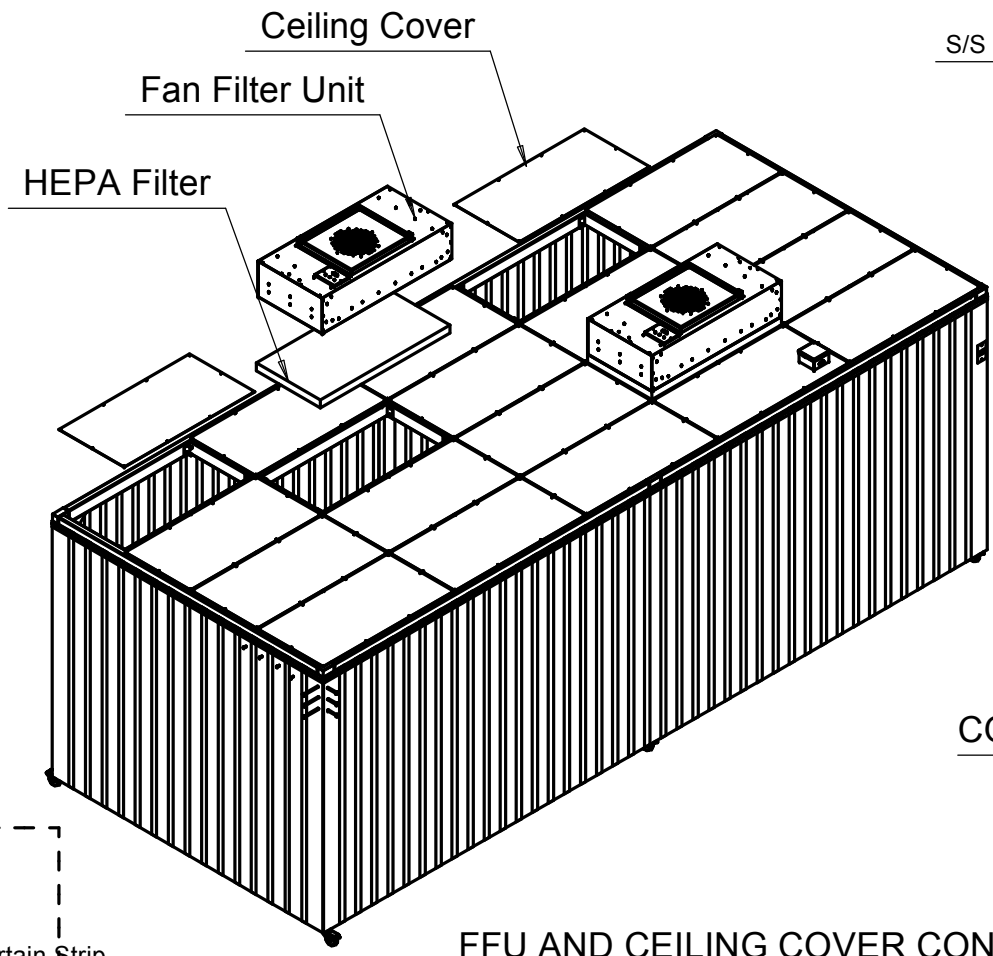
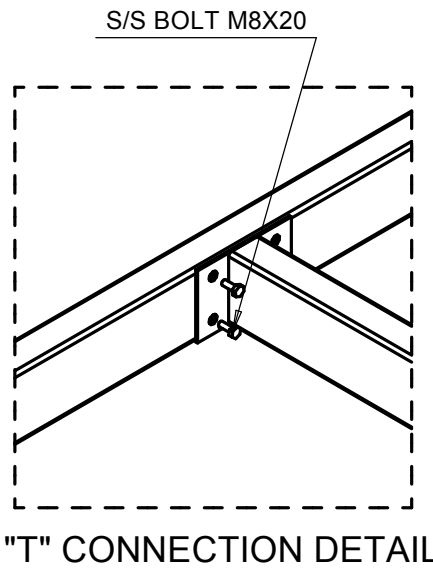
NOTES :
ISO Class 7* - Class 10.000
(2) FFU 2'x4' AND HEPA 2'x4'

1. (FFU-1) Fan Filter Unit - 2'x4' and HEPA 2'x4'
2. (FFU-2) Fan Filter Unit - 2'x4' and HEPA 2'x4'
- (18) CEILING COVER

1. (CC-1) Ceiling Cover - 2'x4'
2. (CC-2) Ceiling Cover - 2'x4'
3. (CC-3) Ceiling Cover - 2'x4'
4. (CC-4) Ceiling Cover - 2'x4'
5. (CC-5) Ceiling Cover - 2'x4'
6. (CC-6) Ceiling Cover - 2'x4'
7. (CC-7) Ceiling Cover - 2'x4'
8. (CC-8) Ceiling Cover - 2'x4'
9. (CC-9) Ceiling Cover - 2'x4'
10. (CC-10) Ceiling Cover - 2'x4'
11. (CC-11) Ceiling Cover - 2'x4'
12. (CC-12) Ceiling Cover - 2'x4'
13. (CC-13) Ceiling Cover - 2'x4'
14. (CC-14) Ceiling Cover - 2'x4'
15. (CC-15) Ceiling Cover - 2'x4'
16. (CC-16) Ceiling Cover - 2'x4'
17. (CC-17) Ceiling Cover - 2'x4'
18. (CC-18) Ceiling Cover - 2'x4'

"PLEASE READ DISCLAIMER SIGNATURE OF APPROVAL"
 Esco requires a signature of approval before we can proceed with design and fabrication. Carefully review the submittal package (project specifications and drawings) and sign below. Contact Esco immediately if there are any to or concerns about submittal package. Any revisions after receipt of the initial submittal package may result in a pricing change. Any revisions after the final approval will result in an additional charge.
 Customer Signature of Approval:

Part	Drawing number from reference	Part or assembly group name	Standard	Shape, Dimension Designation	Qty		
			THIRD ANGLE VIEW	DIMENSION, mm	SCALE	DATE	DATE
							2007-09-20
<p>NOTE General Tolerances :</p>							
<p>STL/SC-007-05.5 Dimension 0' x 20' x 7' (height) SC0207-554</p>							
APPROVAL				CHECKED BY	DESIGNED BY	DRAWN BY	
					2007-09-20	ling	
<p>These drawings and specifications are the exclusive property of Esco. Issue in strict confidence and shall not, without the prior written permission of Esco, be reproduced.</p>							
PAPER SIZE				A3			
Project: STL/SC-007-05.5				Product: Shift Operate (TM) Spin Wall Cleanroom			
World Class Worldwide				ESCO			
				58 (Rev. 7)			



"PLEASE READ DISCLAIMER SIGNATURE OF APPROVAL"

Esco requires a signature of approval before we can proceed with design and fabrication. Carefully review the submittal package (project specifications and drawings) and sign below. Contact Esco immediately if there are any questions or concerns about submittal package. Any revisions after receipt of the initial submittal package may result in a pricing change. Any revisions after the final approval will result in an additional charge.

Customer Signature of Approval:

Part	Drawing number / item reference	Part or assembly group name	Standard	Shape, Dimension Designation	Quality	Qty
NOTE			THIRD ANGLE VIEW	DIMENSION : mm	SCALE : 1/32	DATE : 2007-09-20
General Tolerances :			STL/SC-8207-M.5.5			
			Dimension 0' x 20' x 7' (Height)			
			SC8207-551			
APPROVAL	CHECKED BY	DESIGNED BY	DRAWN BY			
		ling				
Project: STL/SC-8207-M.5			Product: Soft Capsule 100 Soft Mill (cleanroom)			150 (Class 7)

