

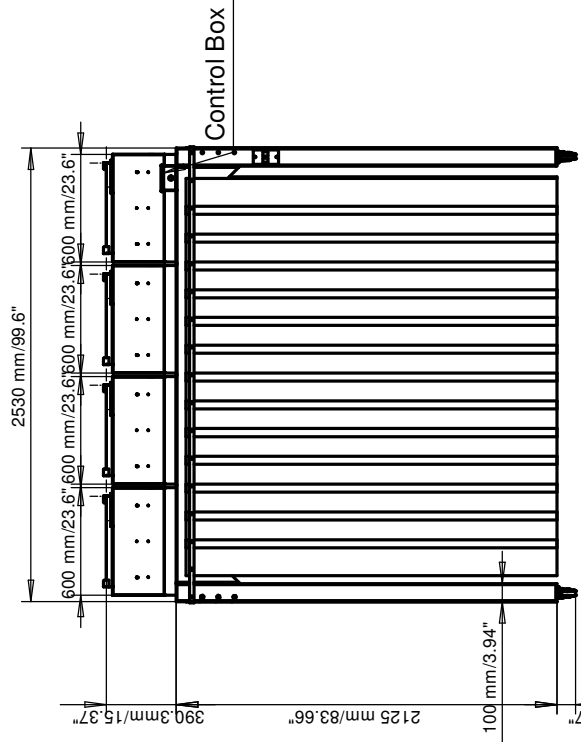
ISOMETRIC VIEW

"PLEASE READ DISCLAIMER SIGNATURE OF APPROVAL"
 Esco requires a signature of approval before we can proceed with design and fabrication. Carefully review the submittal package (project specifications and drawings) and sign below. Contact Esco immediately if there are any to or concerns about submittal package. Any revisions after receipt of the initial submittal package may result in a pricing change. Any revisions after the final approval will result in an additional charge.
 Customer Signature of Approval:

Part	Drawing number from reference	Part or assembly group name	Standard	Shape	Dimension	Designation	Quantity	Qty
			DIMENSION : mm	SCALE	1:100	DATE		2008-05-30
THIRD ANGLE VIEW								
NOTE								
General Tolerances :								
STL/SC-007-03.5								
Dimension 0' x 0' x 7' (Height)								
SC007_FAF								
APPROVAL								
CHECKED BY			DESIGNED BY			DRAWN BY		
			2008-05-30			Tumpak		
Project: STL/SC-007-03.5								
Product: Self-cleaning Mill Cleaner								
1st Issue								



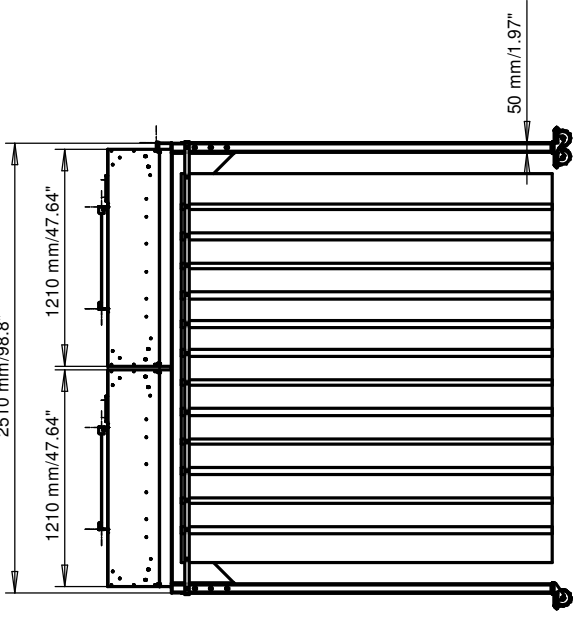
Rev.	By	Date	Part



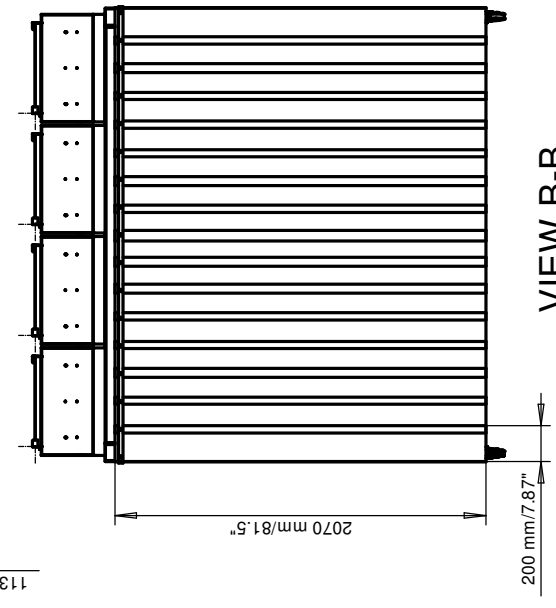
Control Box

VIEW A-A

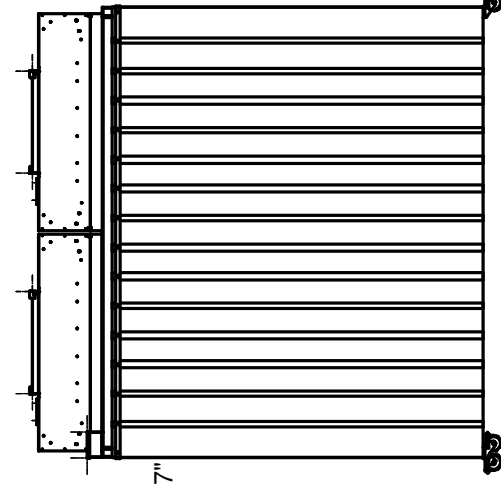
ELEVATION VIEW



VIEW C-C



VIEW B-B



VIEW D-D

NOTES :

Curtain Dimension : 2070mm/81.5"x200mm/7.87"

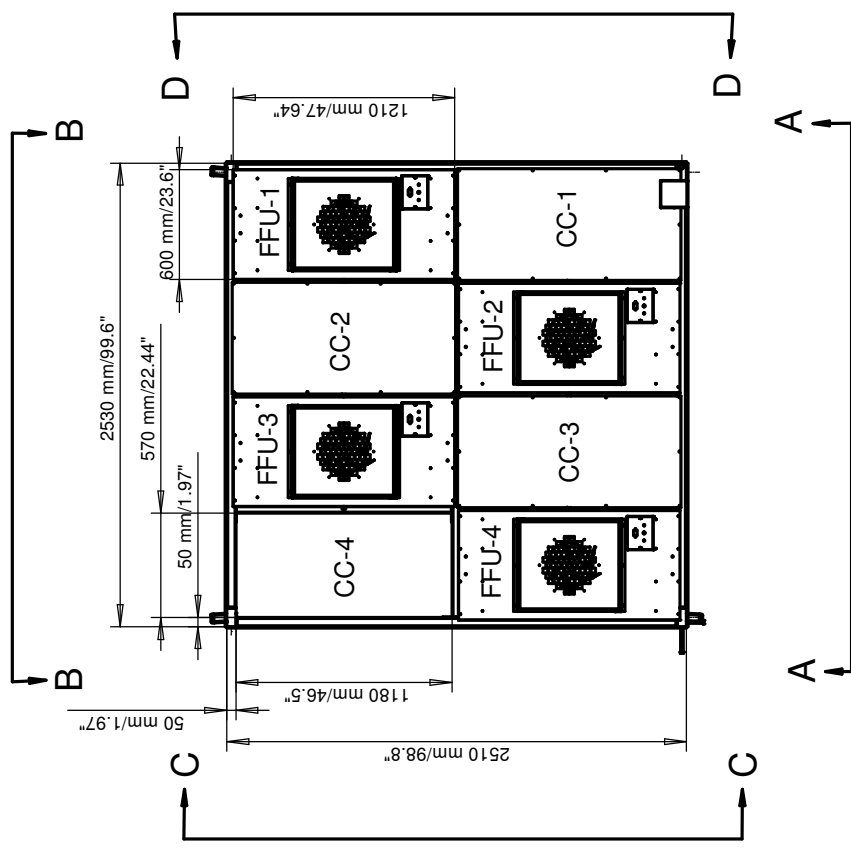
"PLEASE READ DISCLAIMER SIGNATURE OF APPROVAL"
 Esco requires a signature of approval before we can proceed with design and fabrication. Carefully review the submittal package (project specifications and drawings) and sign below. Contact Esco immediately if there are any to or concerns about submittal package. Any revisions after receipt of the initial submittal package may result in a pricing change. Any revisions after the final approval will result in an additional charge.
 Customer Signature of Approval :

Part	Drawing number / revision	Part or assembly group name	Standard	Shape	Dimension	Designation	Quality	Qty	
NOTE			THIRD ANGLE VIEW	DIMENSION	mm	SCALE	1:1N	DATE	2008-05-30
General Tolerances :			ST/SC-407-M 3.5						
			Dimension 0' x 0' x 7' (in height)						
			SC007_FAC						
APPROVAL			CHECKED BY						
			DESIGNED BY						
			2008-05-30						
			Tumpak						
			DRAWN BY						
			Product: Soft Capulet(TH) Soft Wall Cleverpan						
			158 Lines 5						



ESCO
 WORLD CLASS, WORLDWIDE.

PAPER SIZE
 A3

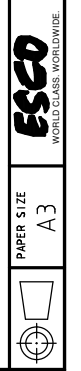


PLAN VIEW

- NOTES :**
- ISO Class 5* - Class 100**
- (4) FFU 2'x4' AND HEPA 2'X4'
- (FFU-1) Fan Filter Unit - 2'x4' and HEPA 2'x4'
 - (FFU-2) Fan Filter Unit - 2'x4' and HEPA 2'x4'
 - (FFU-3) Fan Filter Unit - 2'x4' and HEPA 2'x4'
 - (FFU-4) Fan Filter Unit - 2'x4' and HEPA 2'x4'
- (4) CEILING COVER
- (CC-1) Ceiling Cover - 2'x4'
 - (CC-2) Ceiling Cover - 2'x4'
 - (CC-3) Ceiling Cover - 2'x4'
 - (CC-4) Ceiling Cover - 2'x4'

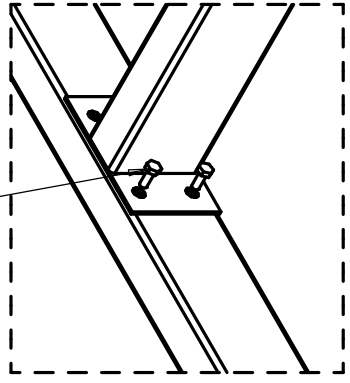
"PLEASE READ DISCLAIMER SIGNATURE OF APPROVAL"
 Esco requires a signature of approval before we can proceed with design and fabrication. Carefully review the submittal package (project specifications and drawings) and sign below. Contact Esco immediately if there are any to or concerns about submittal package. Any revisions after receipt of the initial submittal package may result in a pricing change. Any revisions after the final approval will result in an additional charge.
 Customer Signature of Approval:

Part	Drawing number / Item reference	Part or assembly group name	THIRD ANGLE VIEW	Standard	Shops, Dimension Designation	Quantity	Qty
				SC087-007-08.5	SCALE 1:10	DATE 2008-05-30	
NOTE							
General Tolerances :							
APPROVAL							
CHECKED BY							
DESIGNED BY							
DRAWN BY							
2008-05-30							
T. Lumpak							
Project: ST/USC-08-015							
Product: Split Cassette/THI Split wall Clean R							
ISO Class 5							



Work	Revision	Date	REV	ACT
------	----------	------	-----	-----

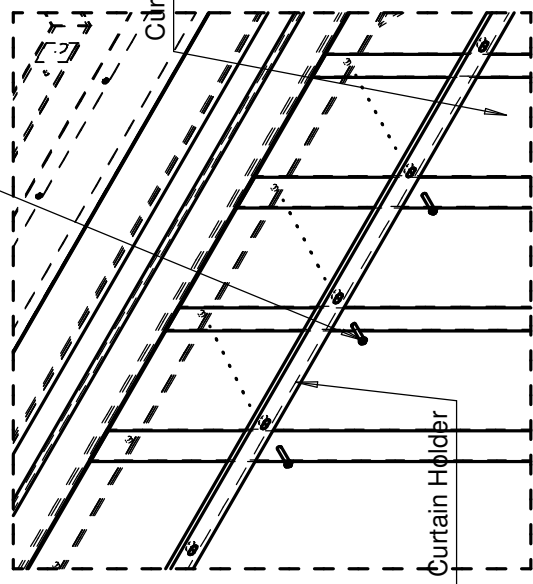
S/S BOLT M8 X 20



"T" CONNECTION DETAIL

PANHEAD SCREW M4X20

Curtain Holder

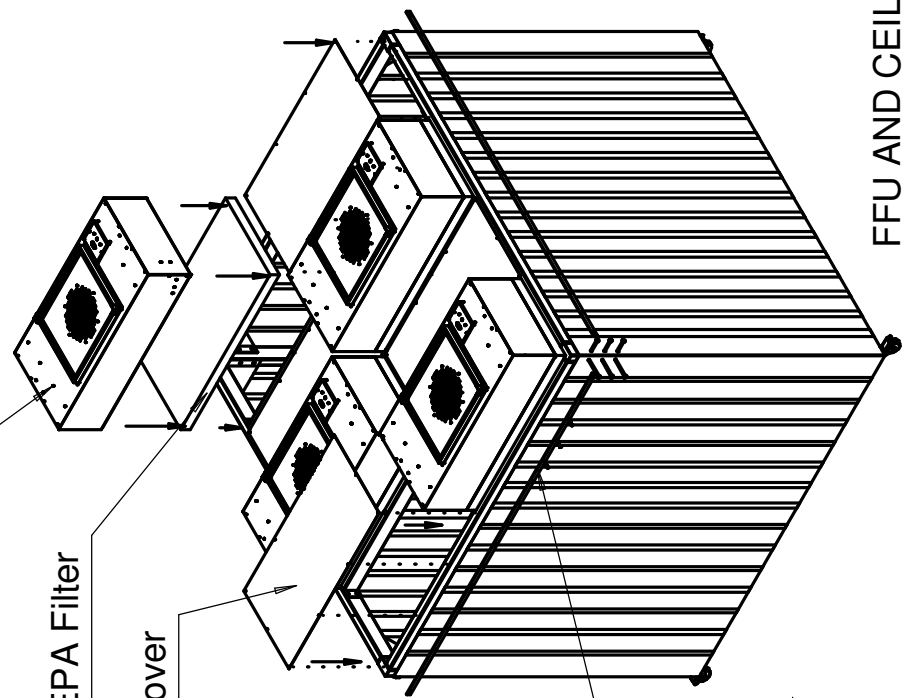


CURTAIN HOLDER CONNECTION DETAIL

Fan Filter Unit

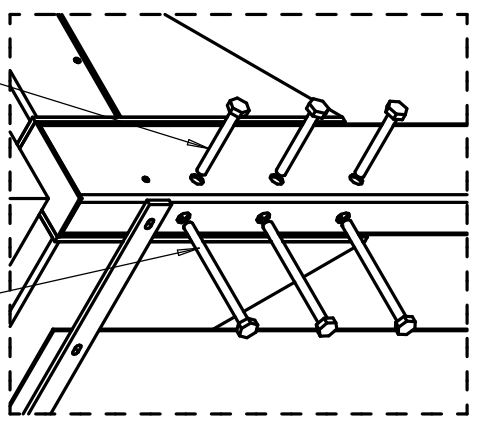
HEPA Filter

Ceiling Cover



FFU AND CEILING COVER CONNECTION DETAIL

S/S BOLT M10X130



CORNER CONNECTION DETAIL

"PLEASE READ DISCLAIMER SIGNATURE OF APPROVAL"

Esco requires a signature of approval before we can proceed with design and fabrication. Carefully review the submittal package (project specifications and drawings) and sign below. Contact Esco immediately if there are any to or concerns about submittal package. Any revisions after receipt of the initial submittal package may result in a pricing change. Any revisions after the final approval will result in an additional charge.

Customer Signature of Approval:

NOTE

General Tolerances :

STL/SC-007-08.5

Dimension 0' x 0' x 7' (the light)

SC007_FAF

Checked by: APPROVAL

Described by: 2008-05-30

Drawn by: Tumpak

Project: STL/SC-007-08.5

Product: 501_Corner/Right Wall Cover

ISO Class 5

PAPER SIZE
A3



WORLD CLASS. WORLDWIDE.

Product: 501_Corner/Right Wall Cover

ISO Class 5