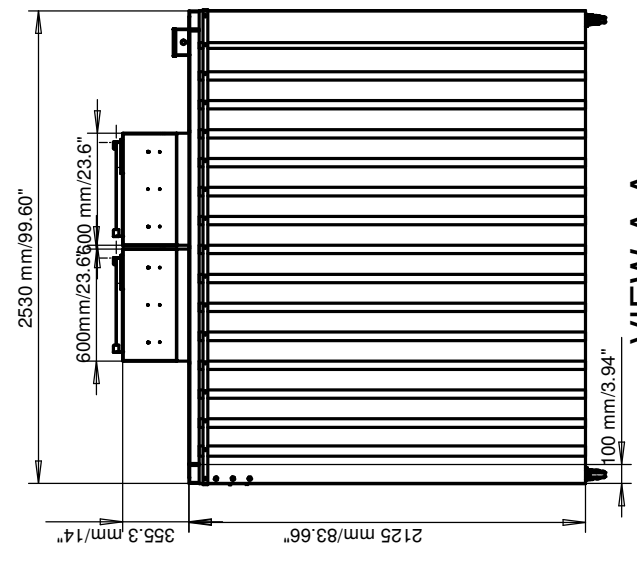
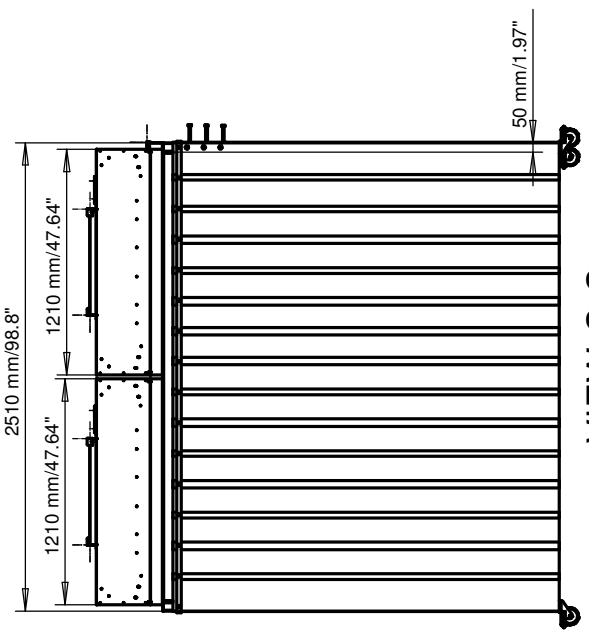


Rev	Date	By	Appr

Revision



ELEVATION VIEW

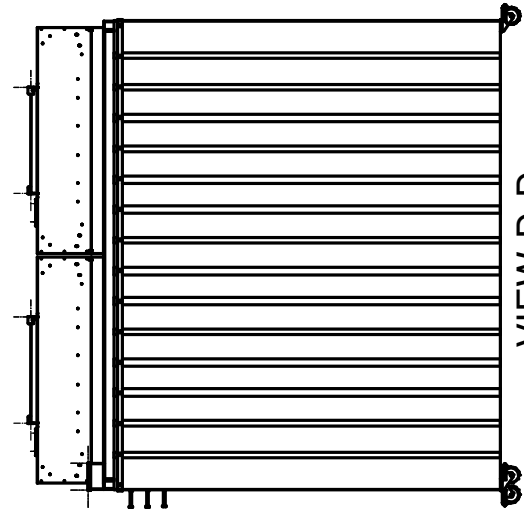


VIEW C-C

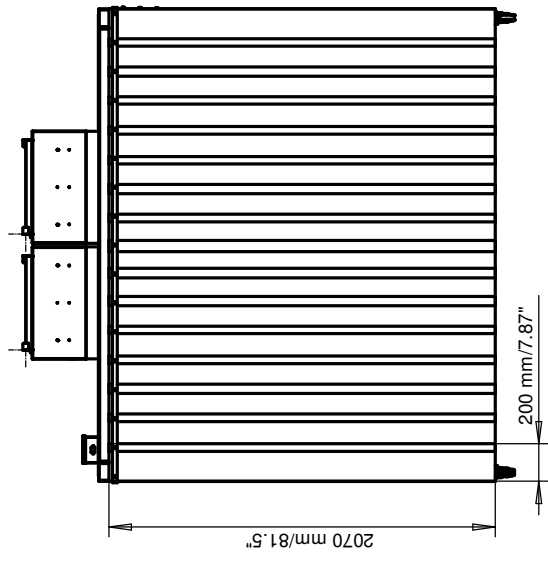
VIEW A-A

NOTES :

Curtain Dimension : 2070mm/81.5"x200mm/7.87"



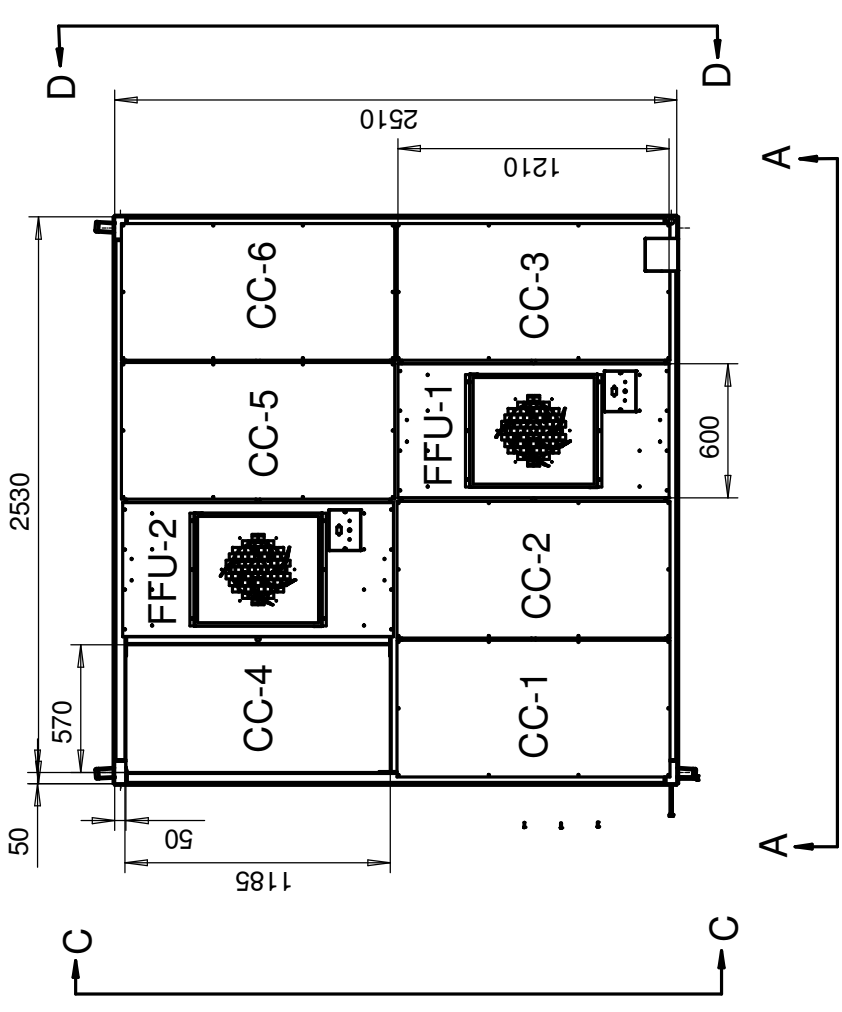
VIEW D-D



VIEW B-B

"PLEASE READ DISCLAIMER SIGNATURE OF APPROVAL"
 Esco requires a signature of approval before we can proceed with design and fabrication. Carefully review the submittal package (project specifications and drawings) and sign below. Contact Esco immediately if there are any to or concerns about submittal package. Any revisions after receipt of the initial submittal package may result in a pricing change. Any revisions after the final approval will result in an additional charge.
 Customer Signature of Approval:

Part	Drawing number Item reference	Part or assembly group name	Standard	Shape, Dimension Designation	Quality	Qty
			THIRD ANGLE VIEW	SCALE 1:15	DATE	2007-10-30
<p>NOTE General Tolerances :</p>						
<p>These drawings and specifications are the exclusive property of Esco. Issues in office conference and shall not, without the prior written permission of Esco, be reproduced.</p>						
<p>APPROVAL</p>						
<p>Part: STL/SC-007-M-5</p>			<p>Dimension 0' x 0' x 7' (Height)</p>			
<p>Part: SC007-459</p>			<p>CHECKED BY: _____ DESIGNED BY: _____</p>			
<p>Part: _____</p>			<p>2007-10-30</p>			
<p>Part: _____</p>			<p>ling</p>			
<p>Part: _____</p>			<p>Product: Split Opatic (TM) Split Wall Curtain</p>			
<p>Part: _____</p>			<p>Project: STL/SC-MP-M-3</p>			
<p>Part: _____</p>			<p>World Class Worldwide</p>			
<p>Part: _____</p>			<p>PAPER SIZE A3</p>			
<p>Part: _____</p>			<p>ESCO</p>			
<p>Part: _____</p>			<p>World Class Worldwide</p>			
<p>Part: _____</p>			<p>19 Unit 6</p>			



PLAN VIEW

- NOTES :**
- ISO Class 6* - Class 1000**
- (2) FFU 2'x4' AND HEPA 2'x4'
- (FFU-1) Fan Filter Unit - 2'x4' and HEPA 2'x4'
 - (FFU-2) Fan Filter Unit - 2'x4' and HEPA 2'x4'
- (6) CEILING COVER
- (CC-1) ceiling Cover - 2'x4'
 - (CC-2) ceiling Cover - 2'x4'
 - (CC-3) ceiling Cover - 2'x4'
 - (CC-4) ceiling Cover - 2'x4'
 - (CC-5) ceiling Cover - 2'x4'
 - (CC-6) ceiling Cover - 2'x4'

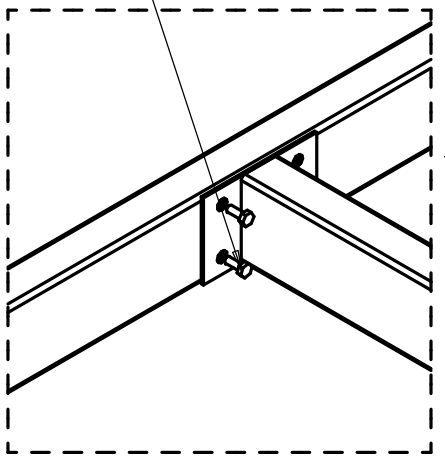
"PLEASE READ DISCLAIMER SIGNATURE OF APPROVAL"

Esco requires a signature of approval before we can proceed with design and fabrication. Carefully review the submittal package (project specifications and drawings) and sign below. Contact Esco immediately if there are any to or concerns about submittal package. Any revisions after receipt of the initial submittal package may result in a pricing change. Any revisions after the final approval will result in an additional charge.

Customer Signature of Approval:

Part	Drawing number from reference	Part or assembly group name	Standard	Shape, Dimension	Designation	Quantity	Qty
			Dimension, mm	SCALE	1/8"	DATE	2007-10-30
	NOTE						
	General Tolerances :						
	"These drawings and specifications are the exclusive property of Esco. Issues in strict confidence and shall not, without the prior written permission of Esco, be reproduced."						
	APPROVAL	CHECKED BY	DESIGNED BY	2007-10-30	iling		
	STL/SC-007-MK-5						
	Dimension 0' x 0' x 7' (height)						
	SC007-45F						
	PAPER SIZE	A3					
	ESCO						
	WORLD CLASS WORLDWIDE						
	Project: STL/SC-MP-MK-5						
	Product: Split Operate (SM) Split Wall Cleanroom						
	100 Lines						

S/S BOLT M8X20

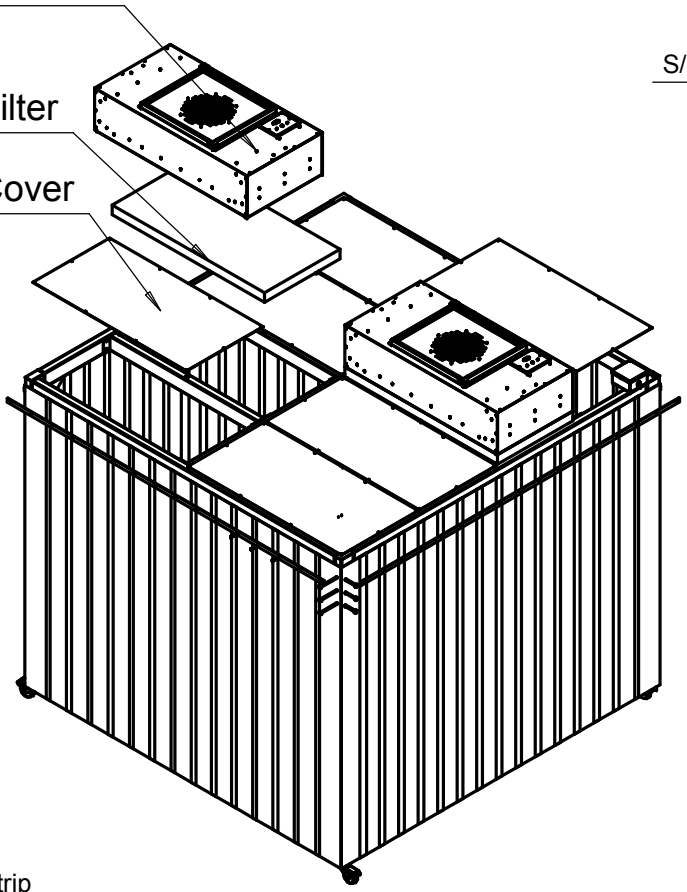


"T" CONNECTION DETAIL

Fan Filter Unit

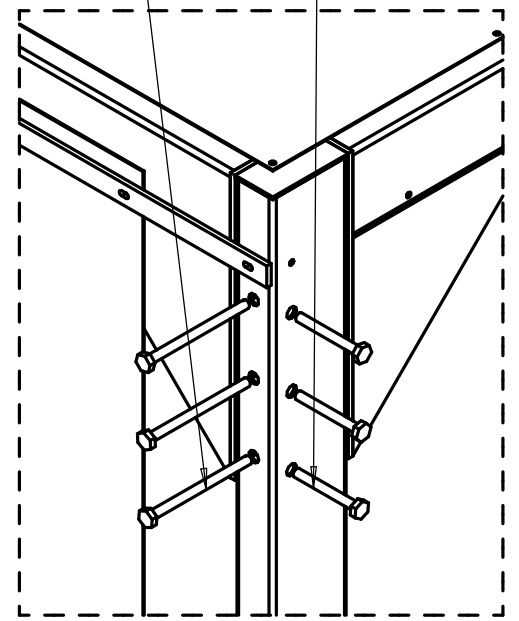
HEPA Filter

Ceiling Cover



S/S BOLT M10X130

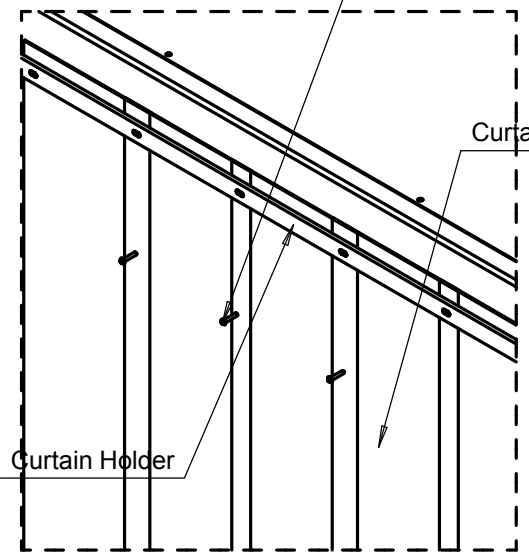
S/S BOLT M10X80



CORNER CONNECTION DETAIL

PANHEAD SCREW M4X20

Curtain Strip



Curtain Holder

CURTAIN HOLDER CONNECTION DETAIL

FFU AND CEILING COVER CONNECTION DETAIL

"PLEASE READ DISCLAIMER SIGNATURE OF APPROVAL"

Esco requires a signature of approval before we can proceed with design and fabrication. Carefully review the submittal package (project specifications and drawings) and sign below. Contact Esco immediately if there are any to or concerns about submittal package. Any revisions after receipt of the initial submittal package may result in a pricing change. Any revisions after the final approval will result in an additional charge.

Customer Signature of Approval:

Part	Drawing number / Item reference	Part or assembly group name	Standard	Shape, Dimension Designation	Quality	Qty
NOTE			THIRD ANGLE VIEW	DIMENSION : mm	SCALE 1/25	DATE 2007-10-30
General Tolerances :			STL/SC-007-M.5			
			Dimension 0' x 0' x 7' (Height)			
			SC007-45h			
APPROVAL	CHECKED BY	DESIGNED BY	DRAWN BY			
		ling				
Project: STL/SC-007-M.5			Product: Soft Capsule (TM) Soft Wall Cleanroom			ISO Class 6



PAPER SIZE
A3

