

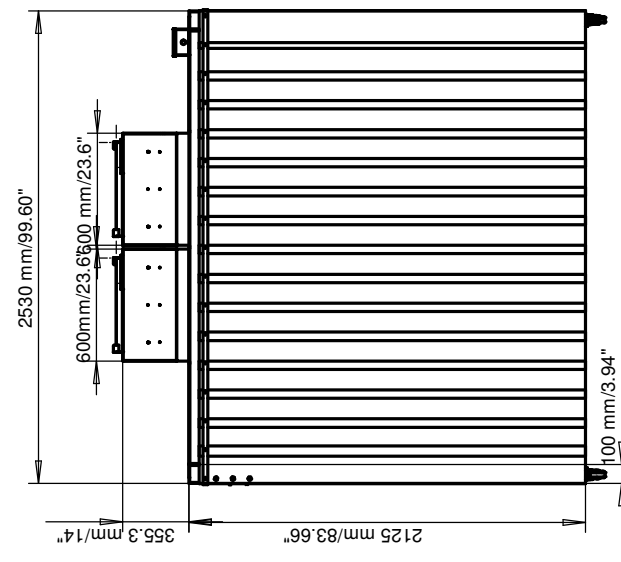
ISOMETRIC VIEW

"PLEASE READ DISCLAIMER SIGNATURE OF APPROVAL"

Esco requires a signature of approval before we can proceed with design and fabrication. Carefully review the submittal package (project specifications and drawings) and sign below. Contact Esco immediately if there are any to or concerns about submittal package. Any revisions after receipt of the initial submittal package may result in a pricing change. Any revisions after the final approval will result in an additional charge.

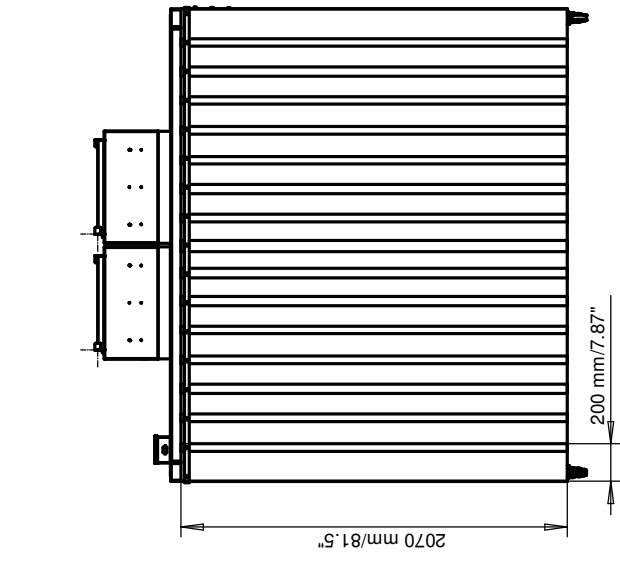
Customer Signature of Approval:

Part	Drawing number, item reference	Part or assembly group name	Standard	Shape, Dimension Designation	Quantity	Qty
			THIRD ANGLE VIEW	DIMENSION ± mm	SCALE 1:15	DATE 2007-10-30
NOTE						
General Tolerances :						
ST/SC-307-MS.3						
Dimension 0' x 0' x 7						
SC007_M550						
APPROVAL						
CHECKED BY			DESIGNED BY		DRAWN BY	
			2007-10-30		ling	
"These drawings and specifications are the exclusive property of Esco, Inc. and shall remain the property of Esco, Inc. without the prior written permission of Esco, Inc. or its representative."						
PAPER SIZE		A3		ESCO		WORLD CLASS WORKALONG
Project: ST/SC-307-MS.3		Product: SFR, repair (RM SFR Wall Closure)		150 Lines 7		150 Lines 7



ELEVATION VIEW

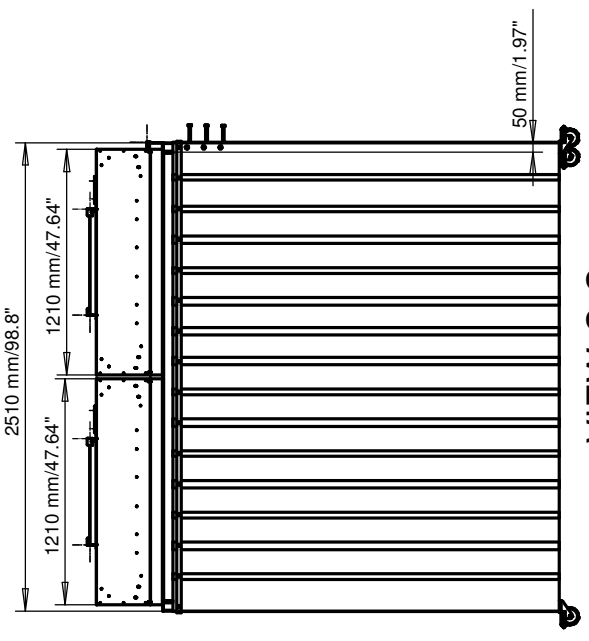
VIEW A-A



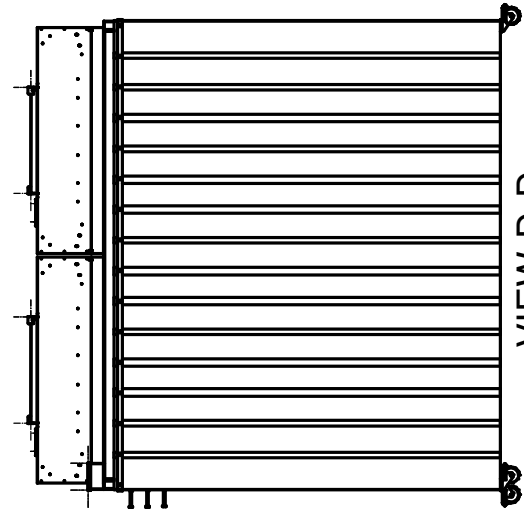
VIEW B-B

NOTES :
Curtain Dimension : 2070mm/81.5"x200mm/7.87"

"PLEASE READ DISCLAIMER SIGNATURE OF APPROVAL"
Esco requires a signature of approval before we can proceed with design and fabrication. Carefully review the submittal package (project specifications and drawings) and sign below. Contact Esco immediately if there are any to or concerns about submittal package. Any revisions after receipt of the initial submittal package may result in a pricing change. Any revisions after the final approval will result in an additional charge.
Customer Signature of Approval:

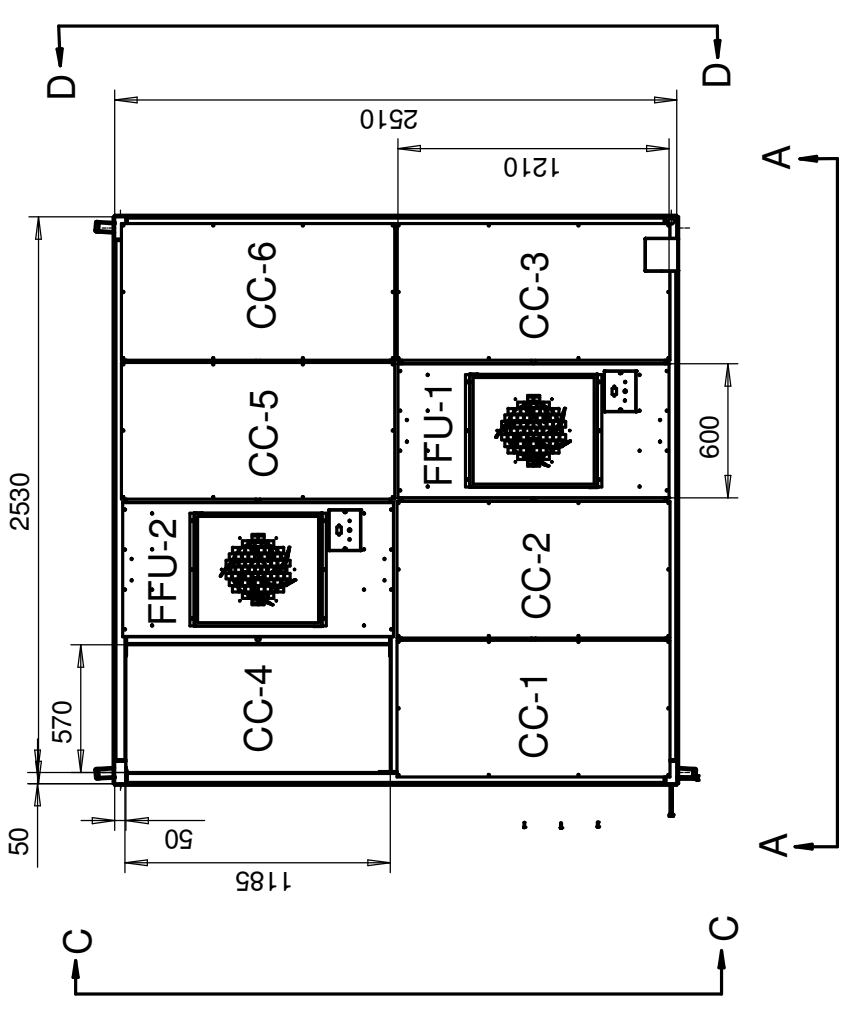


VIEW C-C



VIEW D-D

Part	Drawing number Item reference	Part or assembly group name	Standard	Shape, Dimension Designation	Quality	Qty
			THIRD ANGLE VIEW	SCALE 1:15	DATE	2007-10-30
<p>NOTE General Tolerances :</p> <p>These drawings and specifications are the exclusive property of Esco. Issues in office conference and shall not, without the prior written permission of Esco, be reproduced.</p>						
<p>APPROVAL</p> <p>CHECKED BY: _____ DESIGNED BY: _____ DRAWN BY: _____</p> <p>DATE: 2007-10-30</p>						
<p>Part: STL/SC-007-46.5 Dimension: 0' x 0' x 7' (Height) SC007-459</p>						
<p>PAPER SIZE: A3 WORLD CLASS WORLDWIDE</p>						
<p>Project: STL/SC-MP-06.5 Product: Self Operate (TM) Split Wall Curtain</p>						<p>19</p>



PLAN VIEW

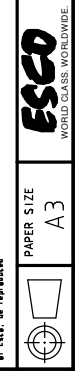
- NOTES :**
- ISO Class 7* - Class 10000**
- (2) FFU 2'x4' AND HEPA 2'x4'
- (FFU-1) Fan Filter Unit - 2'x4' and HEPA 2'x4'
 - (FFU-2) Fan Filter Unit - 2'x4' and HEPA 2'x4'
- (6) CEILING COVER
- (CC-1) ceiling Cover - 2'x4'
 - (CC-2) ceiling Cover - 2'x4'
 - (CC-3) ceiling Cover - 2'x4'
 - (CC-4) ceiling Cover - 2'x4'
 - (CC-5) ceiling Cover - 2'x4'
 - (CC-6) ceiling Cover - 2'x4'

"PLEASE READ DISCLAIMER SIGNATURE OF APPROVAL"

Esco requires a signature of approval before we can proceed with design and fabrication. Carefully review the submittal package (project specifications and drawings) and sign below. Contact Esco immediately if there are any to or concerns about submittal package. Any revisions after receipt of the initial submittal package may result in a pricing change. Any revisions after the final approval will result in an additional charge.

Customer Signature of Approval:

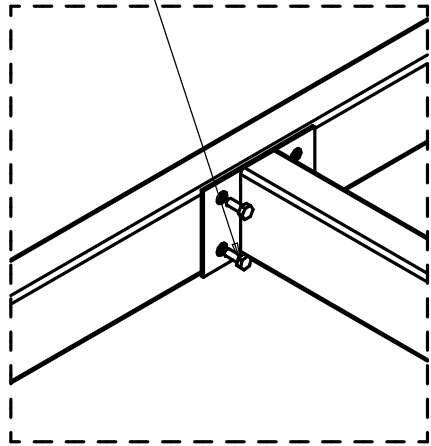
Part	Drawing number from reference	Part or assembly group name	Standard	Shape, Dimension	Designation	Quantity	Qty
			THIRD ANGLE VIEW	mm	SCALE	1:15	DATE
							2007-10-30
<p>NOTE</p> <p>General Tolerances :</p> <p>STL/SC-007-AG.5</p> <p>Dimension 0' x 0' x 7' (height)</p> <p>SC007-45F</p>							
APPROVAL				CHECKED BY	DESIGNED BY	DRAWN BY	
					2007-10-30	ling	
				Product: STL/SC-MP-M3.5			
				Project: STL/SC-MP-M3.5			
				Product: STL/SC-MP-M3.5			
				Product: STL/SC-MP-M3.5			



PAPER SIZE
A3

WORLD CLASS WORLDWIDE

S/S BOLT M8X20

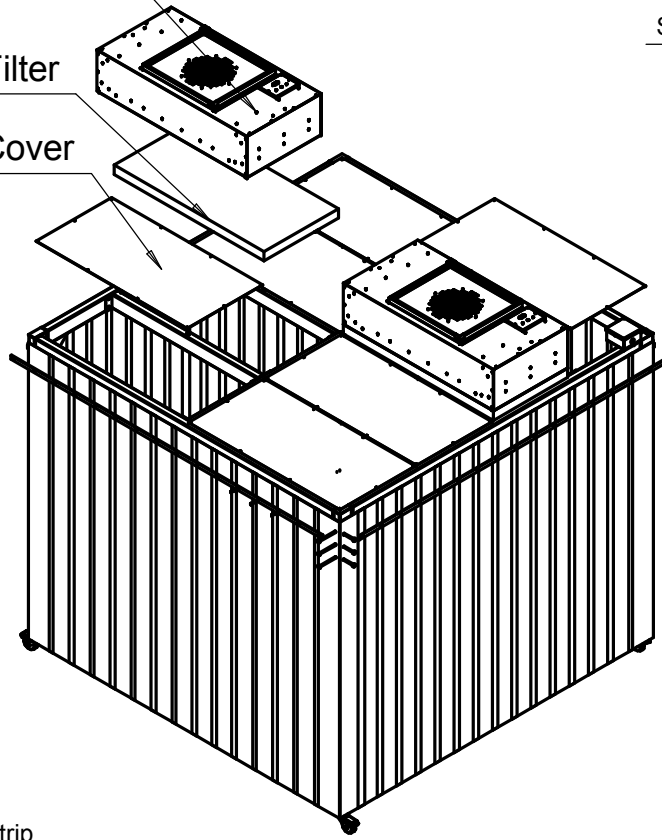


"T" CONNECTION DETAIL

Fan Filter Unit

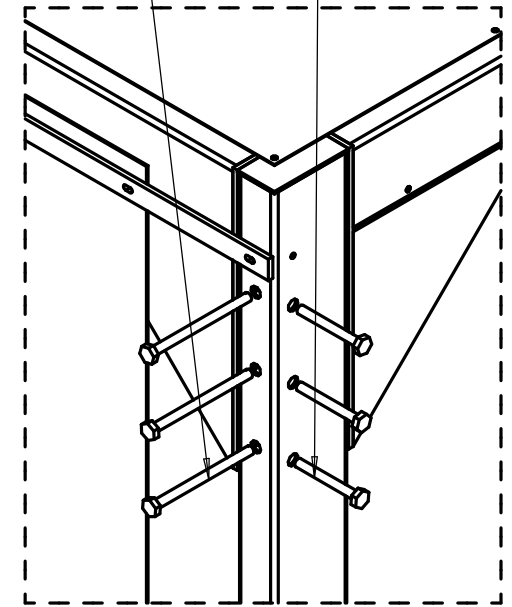
HEPA Filter

Ceiling Cover



S/S BOLT M10X130

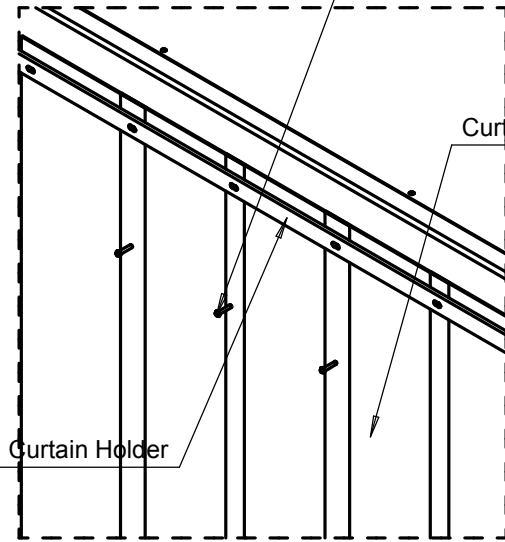
S/S BOLT M10X80



CORNER CONNECTION DETAIL

PANHEAD SCREW M4X20

Curtain Strip



CURTAIN HOLDER CONNECTION DETAIL

FFU AND CEILING COVER CONNECTION DETAIL

"PLEASE READ DISCLAIMER SIGNATURE OF APPROVAL"

Esco requires a signature of approval before we can proceed with design and fabrication. Carefully review the submittal package (project specifications and drawings) and sign below. Contact Esco immediately if there are any to or concerns about submittal package. Any revisions after receipt of the initial submittal package may result in a pricing change. Any revisions after the final approval will result in an additional charge.

Customer Signature of Approval:

Part	Drawing number	Item reference	Part or assembly group name	Standard	Shape, Dimension Designation	Quality	Qty
NOTE				THIRD ANGLE VIEW	DIMENSION x mm	SCALE	1/25
General Tolerances :				DATE	2007-10-30		
				STL/SC-007-45.5			
				Dimension 0' x 0' x 7' (Height)			
				SC007-45h			
APPROVAL		CHECKED BY		DESIGNED BY		DRAWN BY	
				2007-10-30		ling	
Project: STL/SC-007-45.5				Product: Soft Capsule (TM) Soft Wall Cleanroom			
				ISO Class 7			



PAPER SIZE
A3

